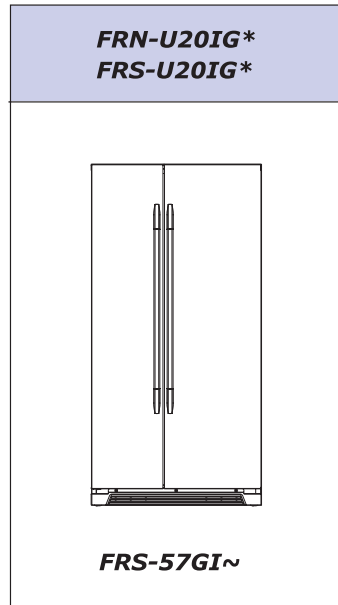


S/M No: FRS5457001

# DESPIECE

## Refrigerator



### ✓ Caution

: In this Manual, some parts can be changed for improving, their performance without notice in the parts list. So, if you need the latest parts information, please refer to PPL(Parts Price List) in Service Information Center (<http://svc.dwe.co.kr>).

DAEWOO  
ELECTRONICS

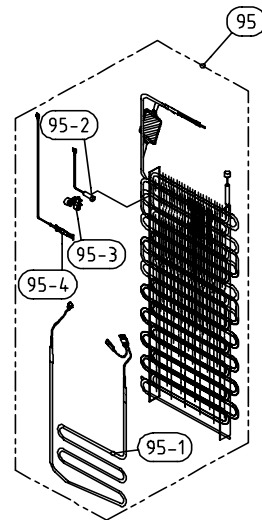
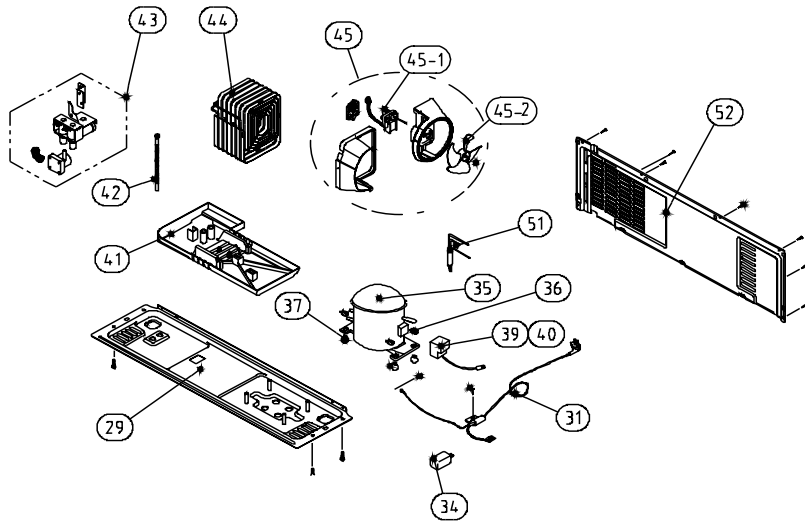


<http://svc.dwe.co.kr>

- June, 2007

DAEWOO





Machine Room Parts

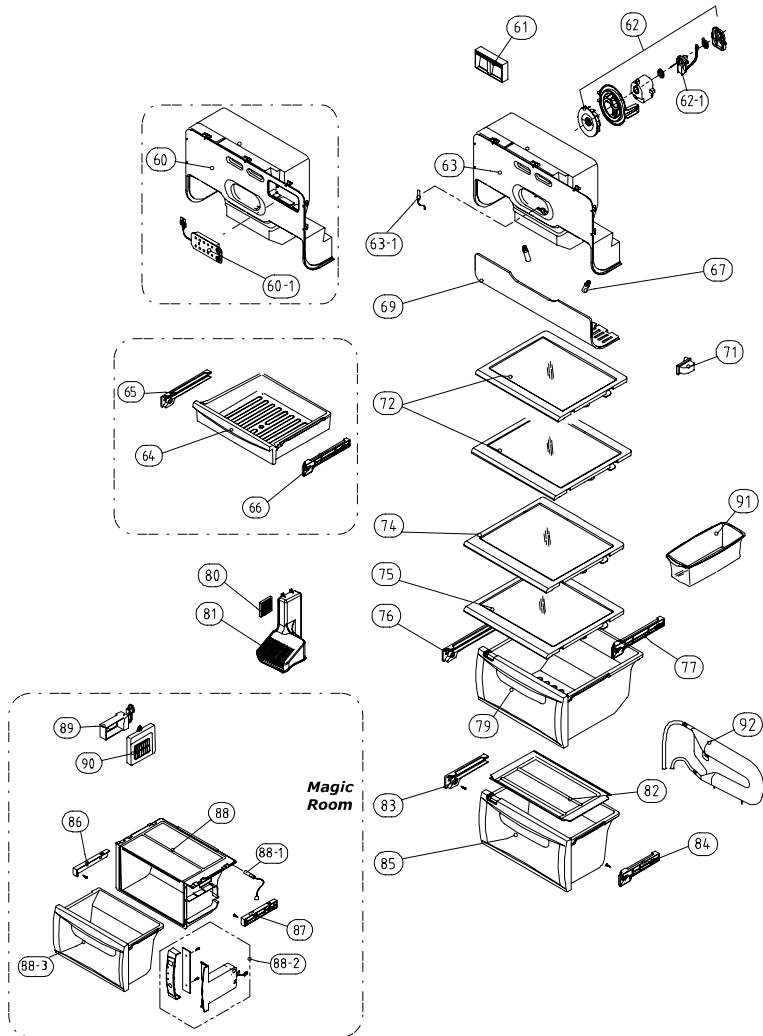
NO	PART-CODE	PART NAME	SPEC.	Q'ty	
				201G	
29	<b>NO DISPON</b>	BASE COMP AS	FRU-5711	1	
31	<b>NO DISPON</b>	CORD POWER AS		1	
34	<b>3016401170</b>	CAPACITOR RUN		1	
35	<b>3956183D50</b>	COMPRESSOR		1	
36	<b>NO DISPON</b>	SPECIAL WASHER	SK-5, T0.8	3	
37	<b>NO DISPON</b>	ABSORBER COMP	NBR (R-134a)	4	
		ABSORBER COMP AS	FRU-541D (R-600a)		
39	<b>3018129600</b>	SWITCH P RELAY AS		1	
40	<b>NO DISPON</b>	COVER RELAY		1	
41	<b>3011181300</b>	CASE VAPORI AS	PP	1	
42	<b>3013201710</b>	HOSE DRN B	PE FRB-5350NT	1	
43	<b>NO DISPONIBLE PARA ESTE MODELO</b>				
44	<b>3014461510</b>	PIPE WICON AS	TSW OD4.76XT0.7	1	
45	<b>3018500500</b>	M/BELL AS	FRU-5711	1	
45-1	<b>3015916100</b>	MOTOR C FAN	D4612AAA22	1	
45-2	<b>3011834700</b>	FAN	ABS OD3.17XD150	1	
51	<b>3016808100</b>	DRYER AS	C1220T	1	
52	<b>3011497000</b>	COVER MACH ROOM AS	SBHG T0.35	1	

Evaporator Parts

NO	PART-CODE	PART NAME	SPEC.	Q'ty	
				201G	
95	<b>3017053500</b>	EVA AS	FRU-5711	1	
95-1	<b>3012818300</b>	HEATOR SHEATH AS	AC220V/ 192W	1	
95-2	<b>3014806900</b>	SENSOR D AS	PBN-43	1	
95-3	<b>NO DISPON</b>	FIXTURE D SENS	PP	1	
95-4	<b>3017202000</b>	FUSE TEMP AS	AC250V 10A 77C	1	

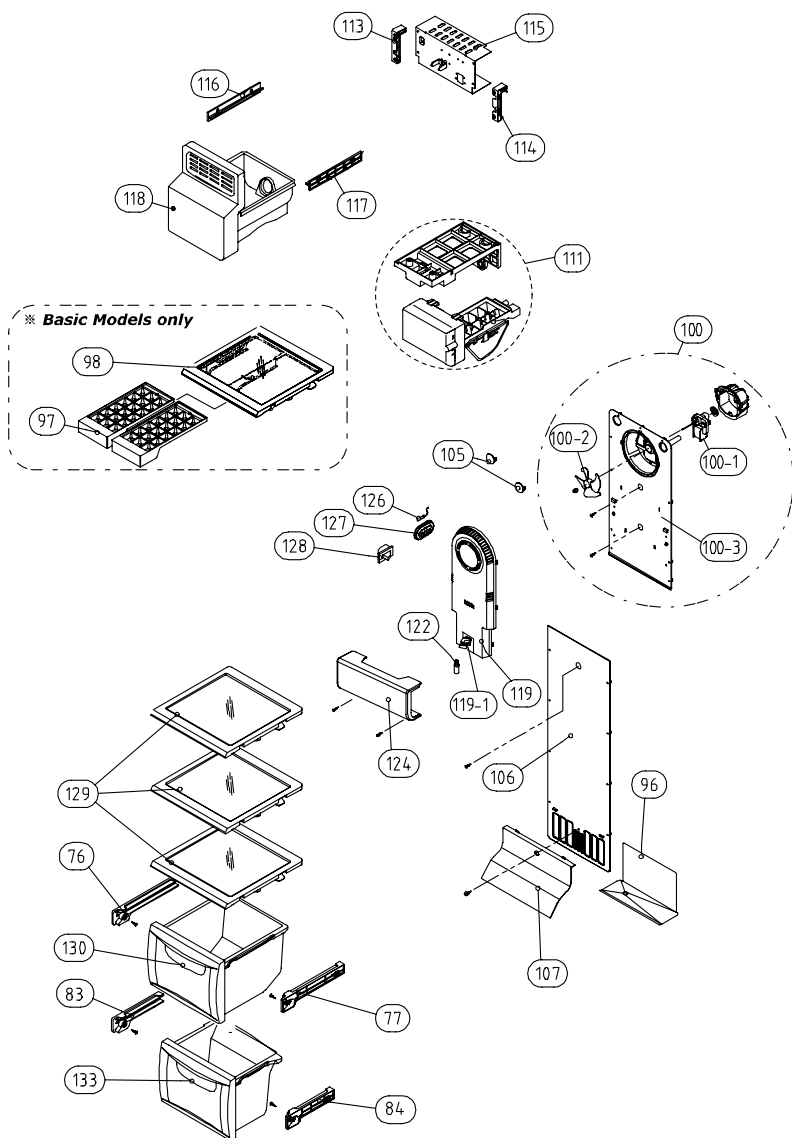
- Some parts can be chaged for improving their perfomance without notice.
- Above parts number doesn't describe your own colour & printing. Please remind!

Date	A mendment Note



NO	PART-CODE	PART NAME	SPEC.	Q'ty	
				20IG	
60	3011492800	COVER DAMP AS	FRU-571I	1	
60-1	3014235200	PANEL CONTL *I AS		1	
61	3012214100	FRAME CHECK VALVE AS	FRU-571I	1	
62	3012024200	FIXTURE MOTR AS		1	
62-1	3015916000	MOTOR R FAN	D4612AAA20	1	
63	<b>NO DISPONIBLE PARA ESTE MODELO</b>			X	
63-1	3014807100	SENSOR R AS	PBN-43B	1	
64	3011185700	CASE CHILD	GPPS	1	
65	3012514500	GUIDE CASE A *L AS	HIPS	1	
66	3012514600	GUDIE CASE A *R AS	HIPS	1	
67	3013602500	LAMP F/R	AC 240V 25W(S)	2	
69	3015510800	WINDOW R LAMP	MIPS	1	
71	3018124000	SWITCH DR	SP201R-7DR (R-134a)	1	
72	3017842810	SHELF INMOLDING R A AS	<b>COMPATIBLE: 3017842820/3017842800</b>	2	
74	3017843320	SHELF INMOLDING R C AS	<b>COMPATIBLE: 3017843300</b>	1	
75	3017842910	SHELF INMOLDING R B AS	<b>COMPATIBLE: 3017842900</b>	1	
76	3012514500	GUIDE CASE A *L AS	HIPS	1	
77	3012514600	GUDIE CASE A *R AS	HIPS	1	
79	3011114630	CASE VEGETB B AS	CASE(NANO)+FRAME	1	
80	3018701800	DEO ANTI AS	W40XT5XL40	1	
81	3011445900	COVER RETURN DUCT	PP	1	
82	3011446700	COVER VEGETB CASE B	GPPS	1	
83	3012529700	GUIDE CASE C *L AS	HIPS	1	
84	3012529800	GUIDE CASE C *R AS	HIPS	1	
85	3011114730	CASE VEGETB C AS	CASE(NANO)+FRAME	1	
86	<b>NO DISPONIBLE PARA ESTE MODELO</b>				
87	<b>NO DISPONIBLE PARA ESTE MODELO</b>				
88	<b>NO DISPONIBLE PARA ESTE MODELO</b>				
88-1	<b>NO DISPONIBLE PARA ESTE MODELO</b>				
88-2	<b>NO DISPONIBLE PARA ESTE MODELO</b>				
88-3	<b>NO DISPONIBLE PARA ESTE MODELO</b>				
89	<b>NO DISPONIBLE PARA ESTE MODELO</b>				
90	<b>NO DISPONIBLE PARA ESTE MODELO</b>				
91	3011171330	CASE EGG AS	CASE+VINYL	1	
92	<b>NO DISPONIBLE PARA ESTE MODELO</b>				

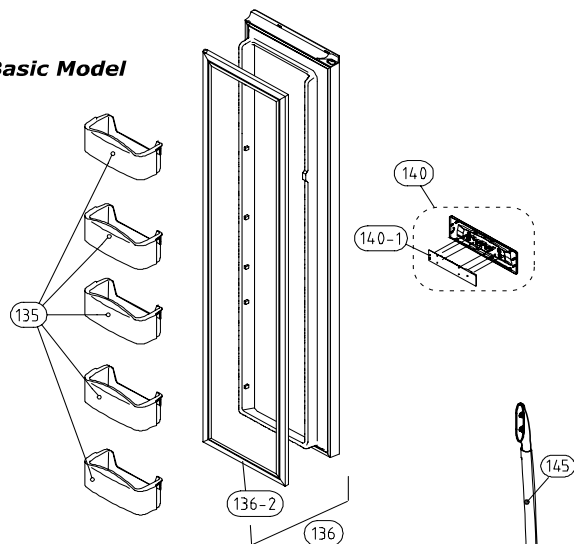
- Some parts can be chaged for improving their performace without notice.



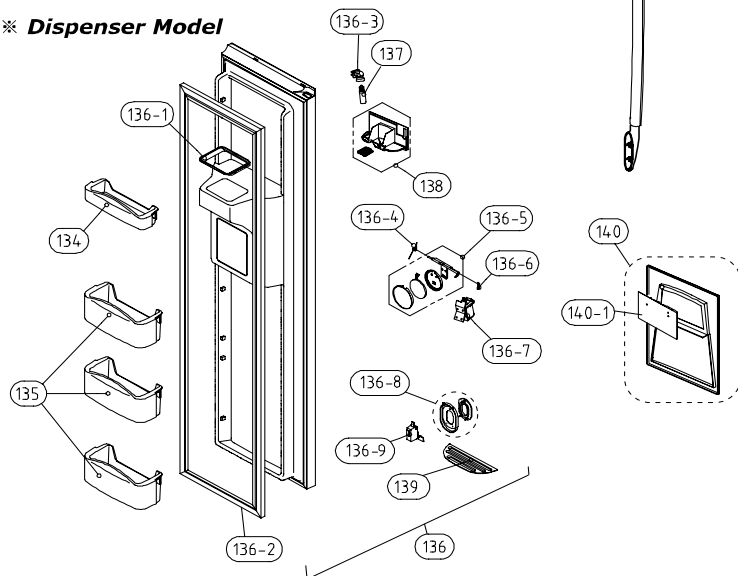
NO	PART-CODE	PART NAME	SPEC.	Q'ty	
				201G	
76	3012514500	GUIDE CASE A *L AS	HIPS	1	
77	3012514600	GUIDE CASE A *R AS	HIPS	1	
83	3012529700	GUIDE CASE C *L AS	HIPS	1	
84	3012529800	GUIDE CASE C *R AS	HIPS	1	
96	NO DISPON	GUIDE DRN	GA	1	
97	3011186300	CASE ICE	PP	2	
98	3017842700	SHELF F ICE AS	FRAME+PRINTED GLASS+FIXTURE	1	
100	3018921700	LOUVER F A AS	FRU-571I	1	
100-1	3015915900	MOTOR F FAN	D4612AAA21	1	
100-2	3011834500	FAN	ABS OD130	1	
100-3	3018921300	LOUVER F A	ABS	1	
105	3010968600	CAP F LOUVER B	HIPS	2	
106	3018921500	LOUVER F B AS	HIPS	1	
107	3011443200	COVER F RETURN	HIPS	1	
111	NO DISPONIBLE PARA ESTE MODELO				x
113	NO DISPONIBLE PARA ESTE MODELO				
114	NO DISPONIBLE PARA ESTE MODELO				
115	NO DISPONIBLE PARA ESTE MODELO				
116	NO DISPONIBLE PARA ESTE MODELO				
117	NO DISPONIBLE PARA ESTE MODELO				
118	NO DISPONIBLE PARA ESTE MODELO				
119	3001401700	COVER F FAN AS	FRU-571I	1	
119-1	3017906600	SOCKET F LAMP AS	FR-S570FRB	1	
122	3013602500	LAMP F	AC 240V 25W(S)	1	
124	3015510700	WINDOW F LAMP	MIPS	1	
126	3014807000	SENSOR F AS	PT-38	1	
127	3011442600	COVER F SENS	ABS	1	
128	3018124010	SWITCH DR	SP201R-7DR (R-134a)	1	
129	3017842600	SHELF F AS	COMPATIBLE: 3017842610	3	
130	3011114830	CASE F A AS	CASE(NANO)+FRAME	1	
133	3011114930	CASE F B AS	CASE(NANO)+FRAME	1	

Date	Amendment Note

※ **Basic Model**



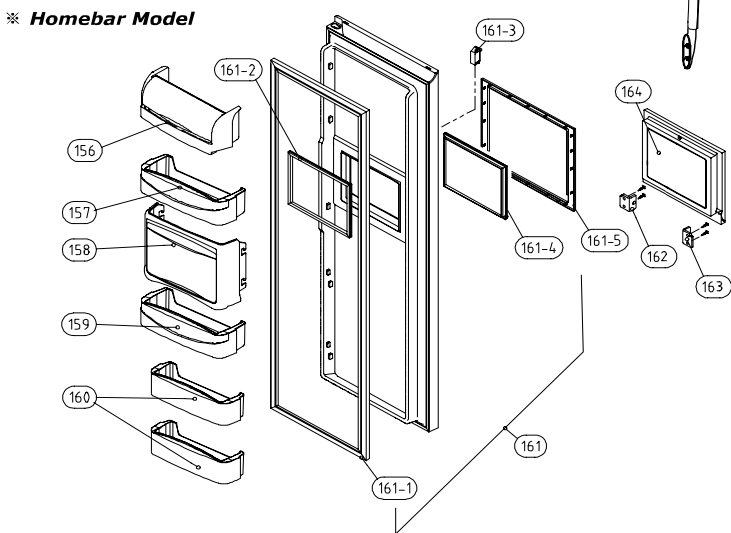
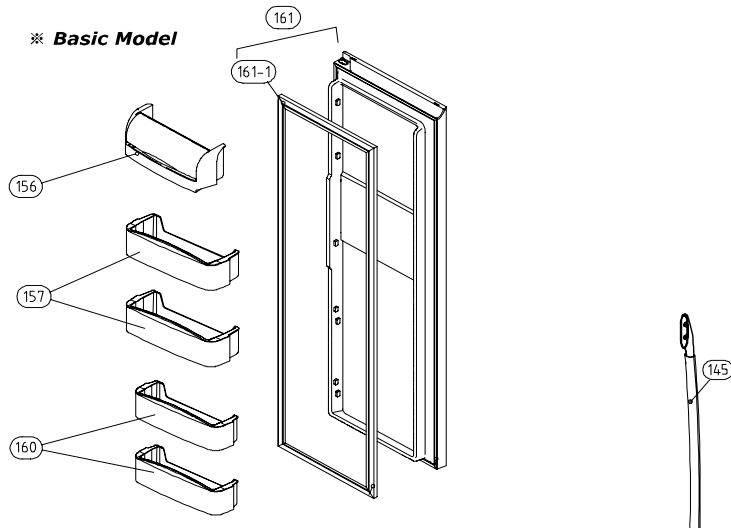
※ **Dispenser Model**



NO	PART-CODE	PART NAME	SPEC.	Q'ty	
				201G	
134	NO DISPONIBLE PARA ESTE MODELO				X
135	3019026600	POCKET F	HIPS	5	
136	3000080620	ASSY F DR	FRU-57GI(TITANIUM PCM)	1	
136-1	NO DISPONIBLE PARA ESTE MODELO				X
136-2	3012318810	GASKET F DR AS	COMPATIBLE: 3012318800	1	
136-3	NO DISPONIBLE PARA ESTE MODELO				X
136-4	NO DISPONIBLE PARA ESTE MODELO				X
136-5	NO DISPONIBLE PARA ESTE MODELO				X
136-6	NO DISPONIBLE PARA ESTE MODELO				X
136-7	NO DISPONIBLE PARA ESTE MODELO				X
136-8	NO DISPONIBLE PARA ESTE MODELO				X
136-9	NO DISPONIBLE PARA ESTE MODELO				X
137	NO DISPONIBLE PARA ESTE MODELO				X
138	NO DISPONIBLE PARA ESTE MODELO				X
139	NO DISPONIBLE PARA ESTE MODELO				X
140	NO DISPONIBLE PARA ESTE MODELO				X
140-1	NO DISPONIBLE PARA ESTE MODELO				X
145	3012648700	HANDLE AS	FRU-54AD(ARC)	1	

- Some parts can be chaged for improving their performace without notice.  
 - Above parts number doesn't describe your own colour & printing. Please remind!

Date	A mendment Note



NO	PART-CODE	PART NAME	SPEC.	Q'ty	
				201G	
145	3012648700	HANDLE AS	FRU-54AD(ARC)	1	
156	3019027500	POCKET DAIRY AS	FRU-571I	1	
157	3019026800	POCKET R	HIPS	?	
158	NO DISPONIBLE PARA ESTE MODELO			X	
159	NO DISPONIBLE PARA ESTE MODELO			X	
160	3019026900	POCKET R *S	HIPS	2	
161	3000080700	ASSY R DR	FRU-57GI(TITANIUM PCM)	1	
161-1	3012318910	GASKET R DR AS	PVC+MAGNET	1	
161-2	NO DISPONIBLE PARA ESTE MODELO			X	
161-3	NO DISPONIBLE PARA ESTE MODELO			X	
161-4	NO DISPONIBLE PARA ESTE MODELO			X	
161-5	NO DISPONIBLE PARA ESTE MODELO			X	
162	NO DISPONIBLE PARA ESTE MODELO			X	
163	NO DISPONIBLE PARA ESTE MODELO			X	
164	NO DISPONIBLE PARA ESTE MODELO			X	

- Some parts can be changed for improving their performance without notice.  
 - Above parts number doesn't describe your own colour & printing. Please remind!

Date	Amendment Note