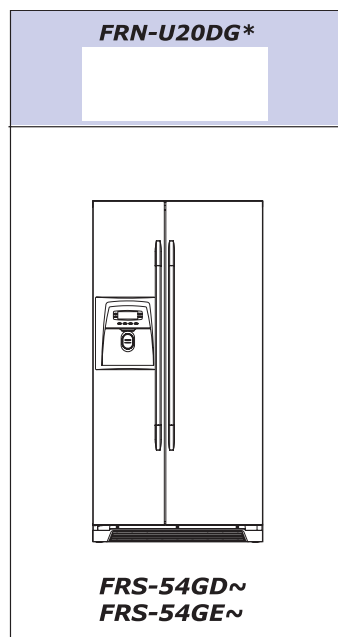


S/M No: FRS5457001

DESPIECE

Refrigerator



✓ Caution

: In this Manual, some parts can be changed for improving, their performance without notice in the parts list. So, if you need the latest parts information, please refer to PPL(Parts Price List) in Service Information Center (<http://svc.dwe.co.kr>).

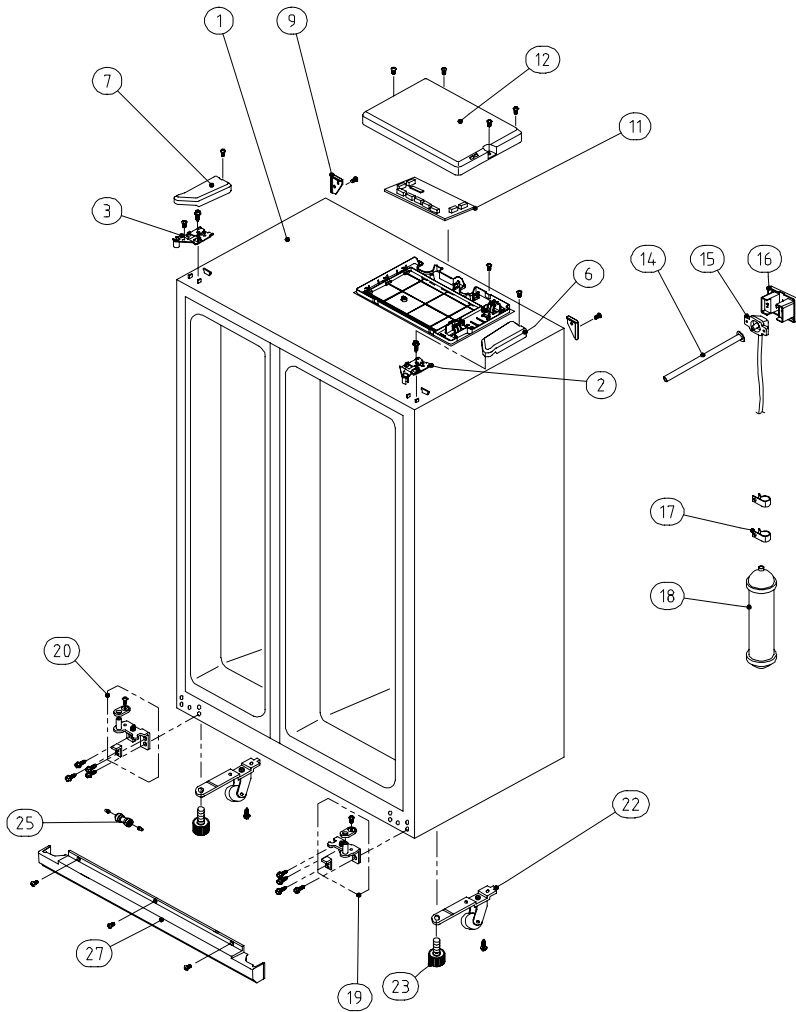
DAEWOO
ELECTRONICS



<http://svc.dwe.co.kr>

- June, 2007

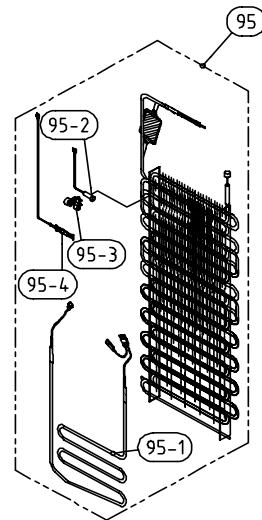
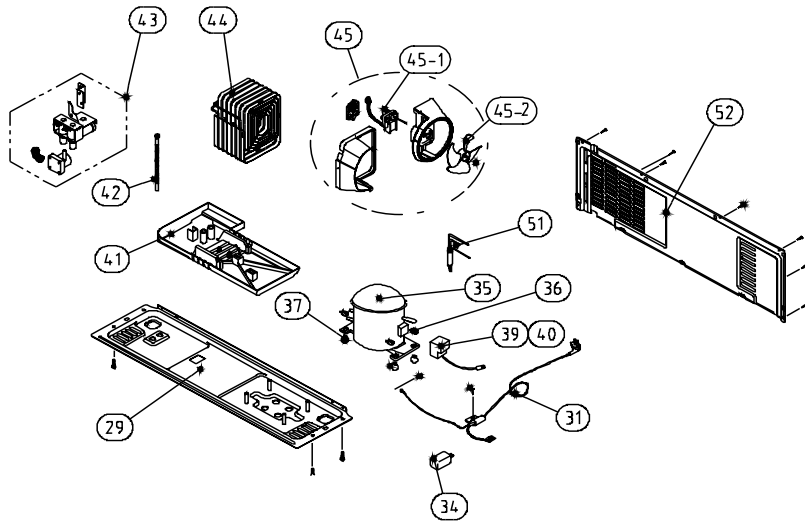
DAEWOO



NO	PART-CODE	PART NAME	SPEC.	Q'ty	
					20DG
1		ASSY CAB URT			1
2	3012924400	HINGE *T *R AS	PO T3.0+PAINT		1
3	3012924300	HINGE *T *L AS	PO T3.0+PAINT		1
6	3011446200	COVER *T HI *R	PP		1
7	3011446100	COVER *T HI *L	PP		1
9	NO DISPON	CAP CAB COVER	PP		2
11	30143D5062	PCB MAIN AS	COMPATIBLE: 30143D5061		1
12	3011446001TSG5H	COVER MAIN PCB BOX	PP(FB-72)		1
14	3013224800	HOSE ICE MAKER TUBE AS	FRU-541D		1
15	3012519200	GUIDE CAB W/TUBE A AS	L1525		1
16	3011444100	COVER GUIDE CAB W/T A	HIPS		1
17	NO DISPON	CLAMP WATER TUBE A	PA-66, 5N		2
18	3019974800	S/PAER FILTER WATER AS	FR-S660CW		1
19	3012924000	HINGE *U *R AS	P/O T5.0 + PAINT		1
20	3012923900	HINGE *U *L AS	P/O T5.0 + PAINT		1
22	3010657200	BRACKET ADJ FOOT AS	SPCC T3.0		2
23	3012105100	FOOT ADJ AS	PP		2
25	3013064200	HOLDER TUBE A	A5UC5		1
27	3011447200	COVER CAB BRKT	PP		1

- Some parts can be chaged for improving their performance without notice.
 - Above parts number doesn't describe your own colour & printing. Please remind!

Date	A mendment Note



Machine Room Parts

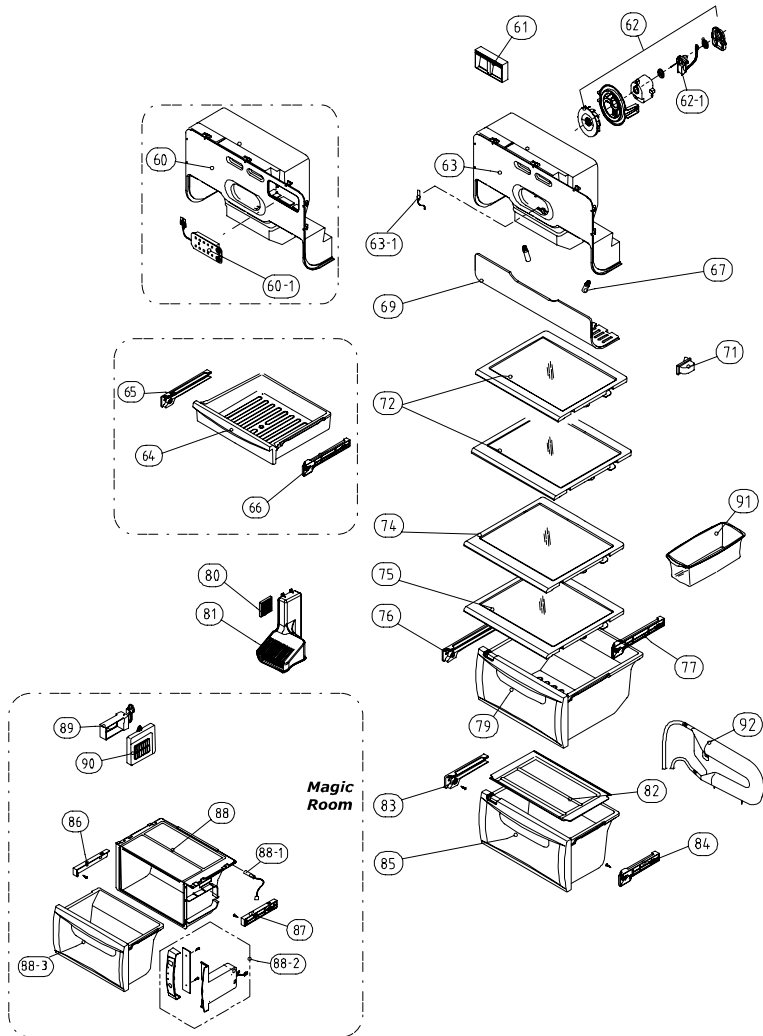
NO	PART-CODE	PART NAME	SPEC.	Q'ty	
					20DG
29	NO DISPON	BASE COMP AS	FRU-5711		1
31	NO DISPON	CORD POWER AS			1
34	3016401170	CAPACITOR RUN			1
35	3956145250	COMPRESSOR			1
36	NO DISPON	SPECIAL WASHER	SK-5, T0.8		3
37	NO DISPON	ABSORBER COMP	NBR (R-134a)		4
		ABSORBER COMP AS	FRU-541D (R-600a)		
39	3018129600	SWITCH P RELAY AS			1
40	NO DISPON	COVER RELAY			1
41	3011181300	CASE VAPORI AS	PP		1
42	3013201710	HOSE DRN B	PE FRB-5350NT		1
43	3015402300	VALVE WATER AS	220-240V 50,60Hz		1
44	3014461510	PIPE WICON AS	TSW OD4.76XT0.7		1
45	3018500500	M/BELL AS	FRU-5711		1
45-1	3015916100	MOTOR C FAN	D4612AAA22		1
45-2	3011834700	FAN	ABS OD3.17XD150		1
51	3016808100	DRYER AS	C1220T		1
52	3011497000	COVER MACH ROOM AS	SBHG T0.35		1

Evaporator Parts

NO	PART-CODE	PART NAME	SPEC.	Q'ty	
					20DG
95	3017053500	EVA AS	FRU-5711		1
95-1	3012818300	HEATOR SHEATH AS	AC220V/ 192W		1
95-2	3014806900	SENSOR D AS	PBN-43		1
95-3	NO DISPON	FIXTURE D SENS	PP		1
95-4	3017202000	FUSE TEMP AS	AC250V 10A 77C		1

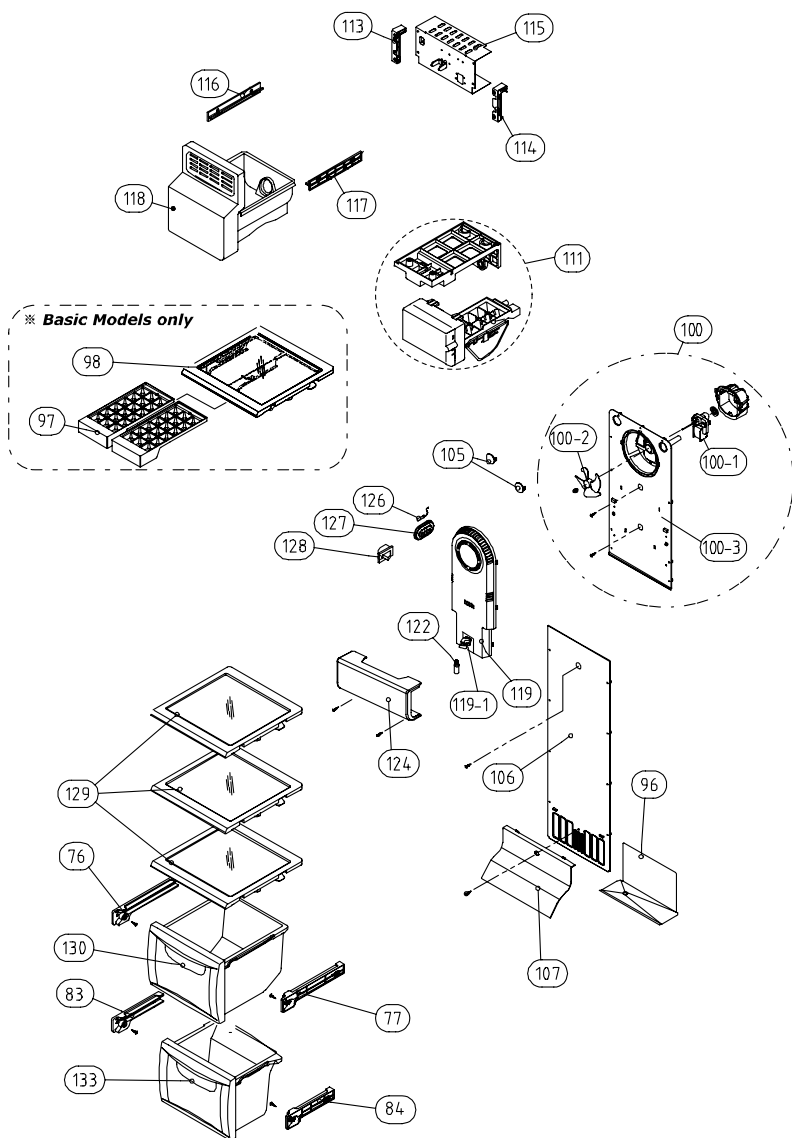
- Some parts can be chaged for improving their perfomance without notice.
- Above parts number doesn't describe your own colour & printing. Please remind!

Date	Amendment Note



NO	PART-CODE	PART NAME	SPEC.	Q'ty	
					20DG
60	NO DISPONIBLE PARA ESTE MODELO				
60-1	NO DISPONIBLE PARA ESTE MODELO				
61	3012214100	FRAME CHECK VALVE AS	FRU-5711	1	
62	3012024200	FIXTURE MOTR AS		1	
62-1	3015916000	MOTOR R FAN	D4612AAA20	1	
63	3011495100	COVER DAMP AS	FRU-541D	1	
63-1	3014807100	SENSOR R AS	PBN-43B	1	
64	3011185700	CASE CHILD	GPPS	1	
65	3012514500	GUIDE CASE A *L AS	HIPS	1	
66	3012514600	GUDIE CASE A *R AS	HIPS	1	
67	3013602500	LAMP F/R	AC 240V 25W(S)	2	
69	3015510800	WINDOW R LAMP	MIPS	1	
71	3018124000	SWITCH DR	SP201R-7DR (R-134a)	1	
72	3017842810	SHELF INMOLDING R A AS	COMPATIBLE: 3017842820/3017842800	2	
74	3017843320	SHELF INMOLDING R C AS	COMPATIBLE: 3017843300	1	
75	3017842910	SHELF INMOLDING R B AS	COMPATIBLE: 3017842900	1	
76	3012514500	GUIDE CASE A *L AS	HIPS	1	
77	3012514600	GUDIE CASE A *R AS	HIPS	1	
79	3011114630	CASE VEGETB B AS	CASE(NANO)+FRAME	1	
80	3018701800	DEO ANTI AS	W40XT5XL40	1	
81	3011445900	COVER RETURN DUCT	PP	1	
82	3011446700	COVER VEGETB CASE B	GPPS	1	
83	3012529700	GUIDE CASE C *L AS	HIPS	1	
84	3012529800	GUIDE CASE C *R AS	HIPS	1	
85	3011114730	CASE VEGETB C AS	CASE(NANO)+FRAME	1	
86	NO DISPONIBLE PARA ESTE MODELO				
87	NO DISPONIBLE PARA ESTE MODELO				
88	NO DISPONIBLE PARA ESTE MODELO				
88-1	NO DISPONIBLE PARA ESTE MODELO				
88-2	NO DISPONIBLE PARA ESTE MODELO				
88-3	NO DISPONIBLE PARA ESTE MODELO				
89	NO DISPONIBLE PARA ESTE MODELO				
90	NO DISPONIBLE PARA ESTE MODELO				
91	3011171330	CASE EGG AS	CASE+VINYL	1	
92	3018201000	TANK WATER AS	FRU-541D	1	

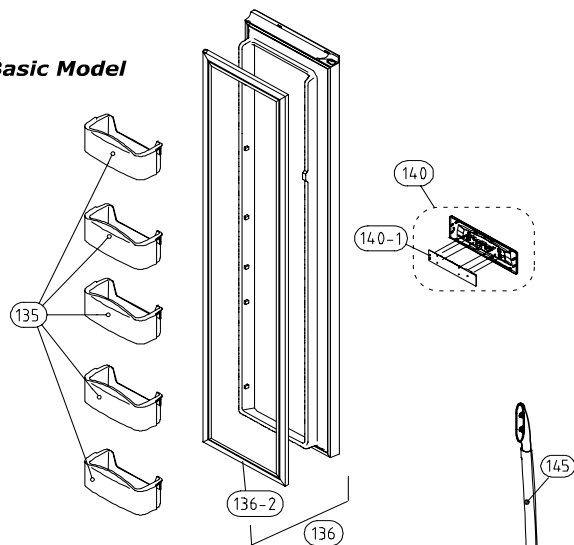
- Some parts can be chaged for improving their performace without notice.



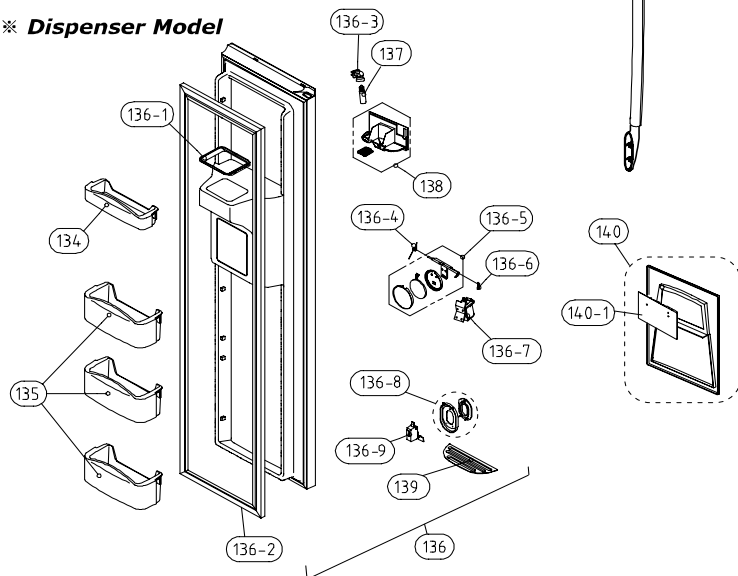
NO	PART-CODE	PART NAME	SPEC.	Q'ty	
					20DG
76	3012514500	GUIDE CASE A *L AS	HIPS		1
77	3012514600	GUIDE CASE A *R AS	HIPS		1
83	3012529700	GUIDE CASE C *L AS	HIPS		1
84	3012529800	GUIDE CASE C *R AS	HIPS		1
96	NO DISPON	GUIDE DRN	GA		1
97	NO DISPONIBLE PARA ESTE MODELO				
98	NO DISPONIBLE PARA ESTE MODELO				
100	3018921700	LOUVER F A AS	FRU-571I		1
100-1	3015915900	MOTOR F FAN	D4612AAA21		1
100-2	3011834500	FAN	ABS OD130		1
100-3	3018921300	LOUVER F A	ABS		1
105	3010968600	CAP F LOUVER B	HIPS		1
106	3018921500	LOUVER F B AS	HIPS		1
107	3011443200	COVER F RETURN	HIPS		1
111	3012205820	FRAME ICE MAKER AS	FRU-541D(R-600a)		1
113	3012517800	GUIDE G/MOTR BRKT *L	ABS		1
114	3012517900	GUIDE G/MOTR BRKT *R	ABS		1
115	3010658110	BRACKET GEARED MOTR AS	COMPATIBLE: 3010658100		1
116	3012520500	GUIDE ICE CRUSHER *L	ABS		1
117	3012517710	GUIDE ICE CRUSHER *R	ABS		1
118	3011115200SBS	CASE I/CRUSHER AS	COMPATIBLE: 3011115201		1
119	3001401700	COVER F FAN AS	FRU-571I		1
119-1	3017906600	SOCKET F LAMP AS	FR-S570FRB		1
122	3013602500	LAMP F	AC 240V 25W(S)		1
124	3015510700	WINDOW F LAMP	MIPS		1
126	3014807000	SENSOR F AS	PT-38		1
127	3011442600	COVER F SENS	ABS		1
128	3018128500	SWITCH DR	SPF101B-1D (R-600a)		1
129	3017842600	SHELF F AS	COMPATIBLE: 3017842610		3
130	3011114830	CASE F A AS	CASE(NANO)+FRAME		1
133	3011114930	CASE F B AS	CASE(NANO)+FRAME		1

Date	Amendment Note

※ **Basic Model**



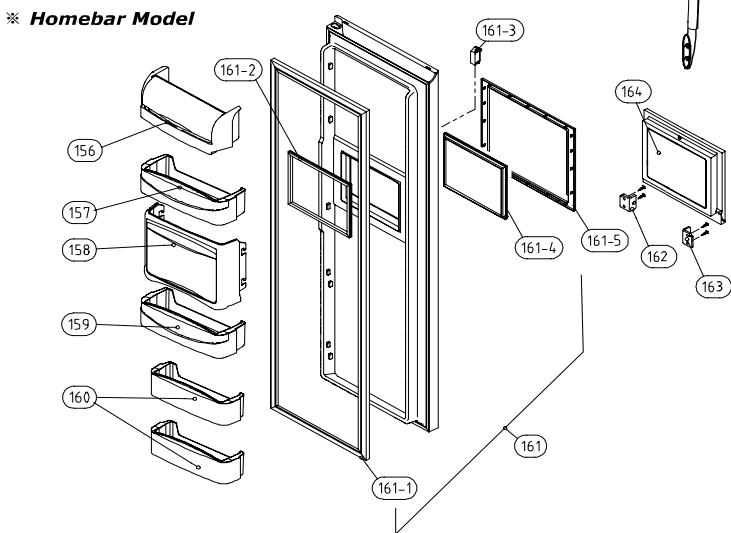
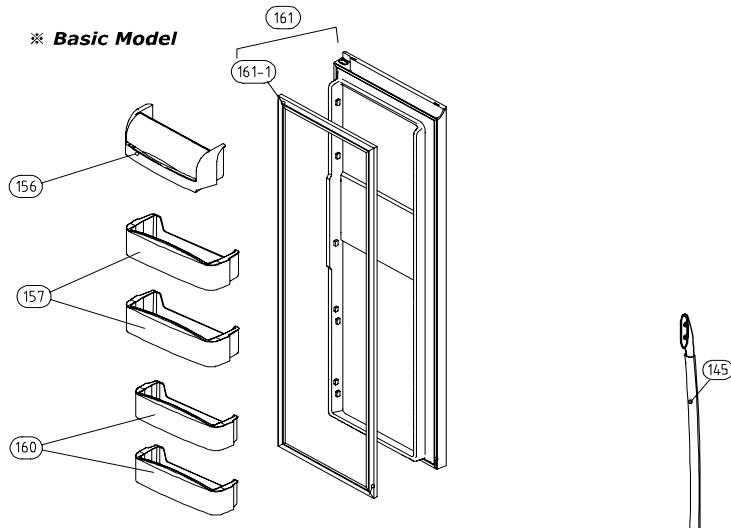
※ **Dispenser Model**



NO	PART-CODE	PART NAME	SPEC.	Q'ty	
					20DG
134	3019026700	POCKET F *T	HIPS		1
135	3019026600	POCKET F	HIPS		3
136	3000080600	ASSY F DR	FRU-54GD(TITANIUM PCM)		1
136-1	3010964600	CAP ICE PATH FRAME	PP(FRS-551F)		1
136-2	3012318810	GASKET F DR AS	COMPATIBLE: 3012318800		1
136-3	3017903702	SOCKET LAMP AS	220V 15W		1
136-4	3015102200	SPRING ICE D LEVR	SUS		1
136-5	3011495300	COVER I/FLAP AS	FRU-541D		1
136-6	3012019700	FIXTURE I/SHUT LUVR	FR-S650CD		1
136-7	3015403000	VALVE SOL DISP	220~240V/50Hz		1
136-8	3016304900	BUTTON DISPNS AS	COMPATIBLE: 3016304600 +3012213200		1
136-9	3018125800	SWITCH MICRO	VP333A-2D		1
137	3013600020	LAMP AS	240V/15W		1
138	3010544000	BOX DISPNS I/SHUT AS	FRU-541D		1
139	3012406900TSH5L	GRILLE DISPNS	ABS		1
140	3011494700TSH5L	COVER F PCB AS	FRU-541D		1
140-1	30143D5160	PCB FRONT AS	FRU-541F		1
145	3012648700	HANDLE AS	FRU-54AD(ARC)		1

- Some parts can be changed for improving their performance without notice.
 - Above parts number doesn't describe your own colour & printing. Please remind!

Date	Amendment Note



NO	PART-CODE	PART NAME	SPEC.	Q'ty	
				20DG	
145	3012648700	HANDLE AS	FRU-54AD(ARC)	1	
156	3019027500	POCKET DAIRY AS	FRU-571I	1	
157	3019026800	POCKET R	HIPS	?	
158	NO DISPONIBLE PARA ESTE MODELO			X	
159	NO DISPONIBLE PARA ESTE MODELO			X	
160	3019026900	POCKET R *S	HIPS	2	
161	3000080700	ASSY R DR	FRU-57GI(TITANIUM PCM)	1	
161-1	3012318910	GASKET R DR AS	COMPATIBLE: 3012318900	1	
161-2	NO DISPONIBLE PARA ESTE MODELO			X	
161-3	NO DISPONIBLE PARA ESTE MODELO			X	
161-4	NO DISPONIBLE PARA ESTE MODELO			X	
161-5	NO DISPONIBLE PARA ESTE MODELO			X	
162	NO DISPONIBLE PARA ESTE MODELO			X	
163	NO DISPONIBLE PARA ESTE MODELO			X	
164	NO DISPONIBLE PARA ESTE MODELO			X	

- Some parts can be changed for improving their performance without notice.
 - Above parts number doesn't describe your own colour & printing. Please remind!

Date	A mendment Note