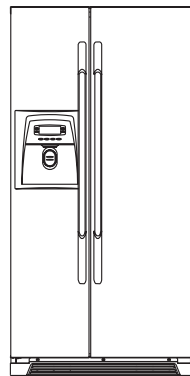


S/M No: RU54957901

DESPIECE

Refrigerator

FRN-U20DEV



COLOR: TSH5L

✓ **Caution**

: In this Manual, some parts can be changed for improving, their performance without notice in the parts list. So, if you need the latest parts information, please refer to PPL(Parts Price List) in Service Information Center

DAEWOO

Frigorífico Side by Side

FRN-U20DEV



Capacidad

Capacidad total 570/384 litros (B/N).

Congelador 209/198 litros (B/N)

Frigorífico 381/339 litros (B/N).

Características generales

Tecnología Nano Silver

Sistema No Frost 4****

Clasificación energética "A"

Control de refrigeración Air Flow System

Control de Humedad

Control electrónico interior (tipo LED)

2 ventiladores

Funcionamiento silencioso

Bajo nivel de consumo

Sin CFC/HCFC (gas R-600)

Alarma de puerta abierta

Sensores de temperatura exterior (x6)

Frigorífico

4 estantes de cristal reforzado

Amplio cajón Zona 0°C

2 cajones para verduras y frutas (nano silver)

4 estantes en puerta (2 con guía)

Zona lácteos y huevera

Congelador

Sistema de congelación rápida

Air Flow System

4 estantes de cristal

2 cajones (nano silver)

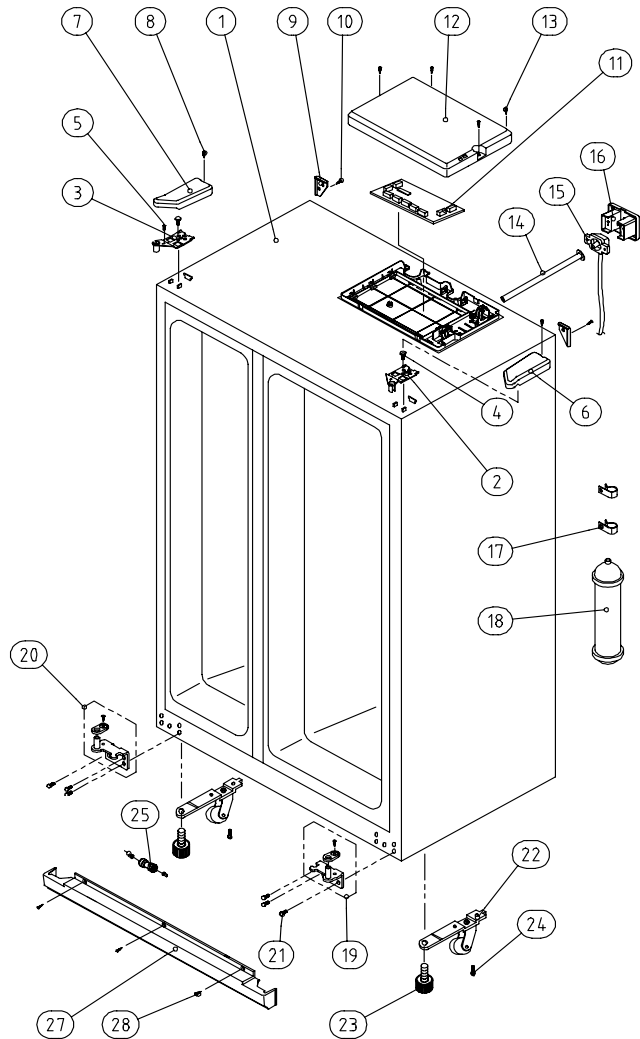
5 estantes en puerta

Dimensiones

895 x 1790 x 730 (an x al x pr, en mm)

Peso 104 Kg

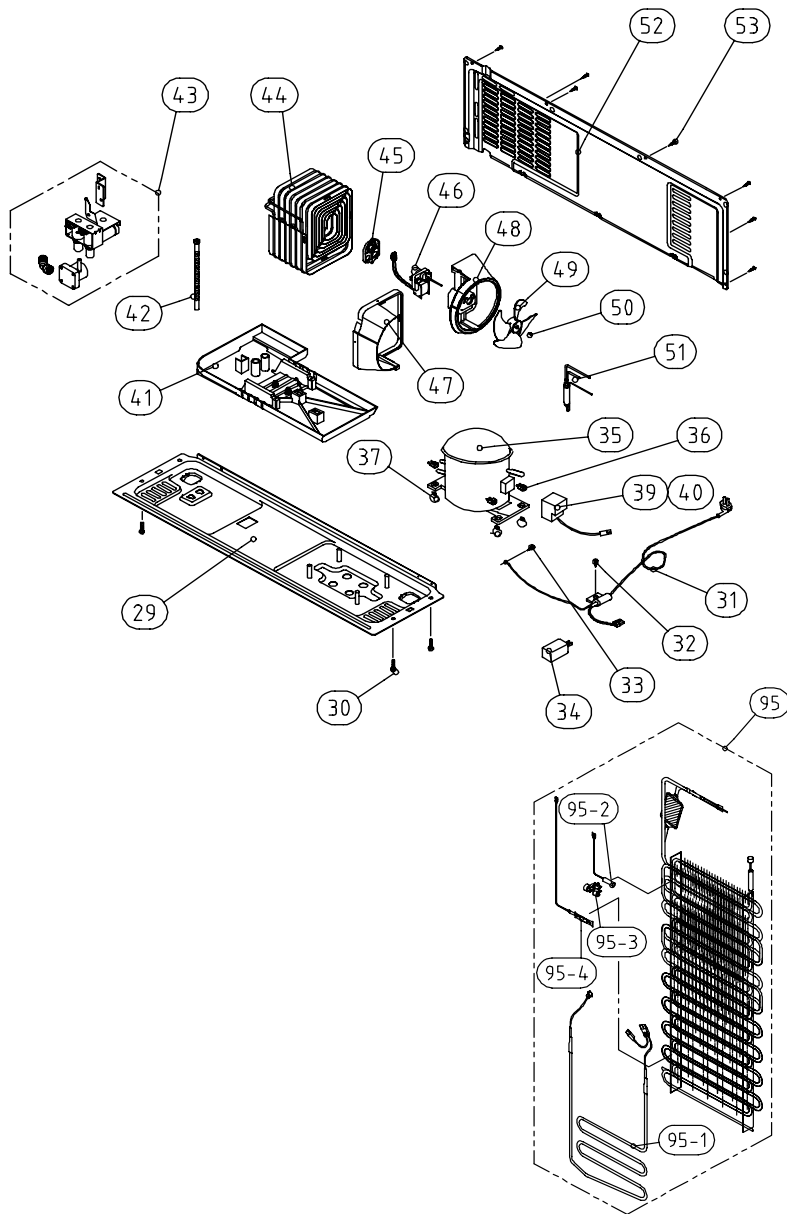




NO	PART-CODE	PART NAME	SPEC.	Q'ty	
					20DC
1		ASSY CAB URT			1
2	3012924400	HINGE *T *R AS	PO T3.0+PAINT		1
3	3012924300	HINGE *T *L AS	PO T3.0+PAINT		1
4	NO DISPON	SPECIAL *T HI BOLT	6X13 SWCH18A		2
5	NO DISPON	SCREW MACHINE	PAN 4X10 SW BSN1		1
6	3011446200TSH5L	COVER *T HI *R	COLOR: TSH5L		1
7	3011446100TSH5L	COVER *T HI *L	COLOR: TSH5L		1
8	NO DISPON	SCREW TAPPING	T1 TRS 4X12 MFZN		2
9	NO DISPON	CAP CAB COVER	PP		2
10	NO DISPON	SCREW TAPPING	T1 TRS 4X12 MFZN		2
11	30143D5062	PCB MAIN AS	COMPATIBLE: 30143D5061		1
12	3011446001TSH5L	COVER MAIN PCB BOX	COLOR: TSH5L		1
13	NO DISPON	SCREW TAPPING	T1 TRS 4X12 MFZN		4
14	3013224800	HOSE ICE MAKER TUBE AS	FRU-541D		1
15	3012519200	GUIDE CAB W/TUBE A AS	FRU-541D		1
16	3011444100	COVER GUIDE CAB W/T A	HIPS		1
17	NO DISPON PARA ESTE MODELO				2
18	3019974800	S/PAER FILTER WATER AS	FR-S660CW		1
19	3012924000	HINGE *U *R AS	P/O T5.0 + PAINT		1
20	3012923900	HINGE *U *L AS	P/O T5.0 + PAINT		1
21	NO DISPON	SPECIAL BOLT *T	6X22 SWCH22A(YL)		6
22	3010657200	BRACKET ADJ FOOT	CODIGO COMPLETO: 3010658001		2
23	3012105100	FOOT ADJ AS			2
24	NO DISPON	SPECIAL BOLT *T	6X22 SWCH22A(YL)		2
25	NO DISPON PARA ESTE MODELO				1
27	3011447200	COVER CAB BRKT	COLOR: TSH5L		1
28	NO DISPON	SCREW TAPPING	T2 TRS 4X16 MFZN		3

- Some parts can be chaged for improving their performace without notice.
- Above parts number doesn't describe your own colour & printing. Please remind!

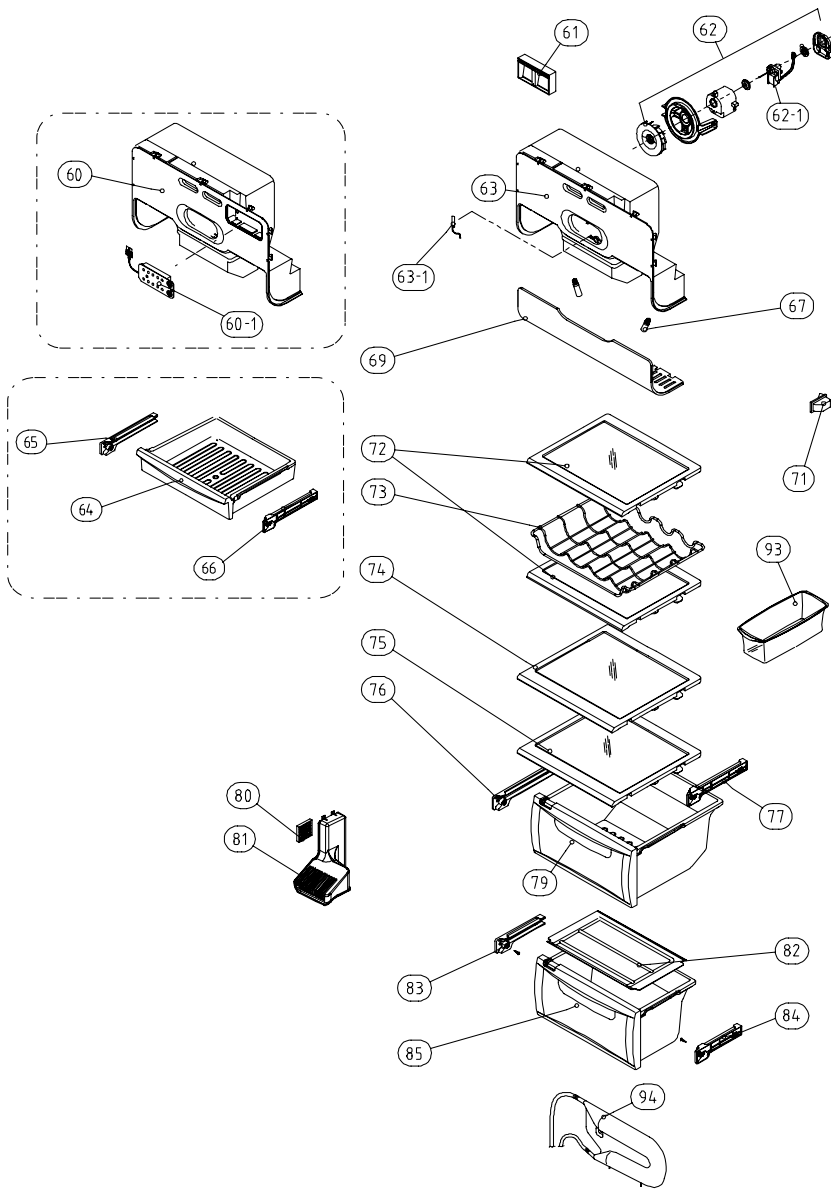
Date	A mendment Note



NO	PART-CODE	PART NAME	SPEC.	Q'ty	
					20DC
29	NO DISPON	BASE COMP AS	FRU-5711		1
30	NO DISPON	SPEICAL BOLT	T2 M6.5X20		4
31	NO DISPON	CORD POWER AS			1
32	NO DISPON	SCREW TAPPING	T1 TRS 4X12 MFZN		1
33	NO DISPON	SCREW MACHINE	PAN 4X10 SW BSN1		1
34	3016401170	CAPACITOR RUN			1
35	3956145250	COMPRESSOR			1
36	NO DISPON	SPECIAL WASHER	SK-5, T0.8		3
37	NO DISPON	ABSORBER COMP	NBR (R-134a)		4
	NO DISPON	ABSORBER COMP AS	FRU-541D (R-600a)		4
39	3018129600	SWITCH P RELAY AS			1
40	NO DISPON	COVER RELAY			1
41	3011181300	CASE VAPORI AS	PP		1
42	3013201710	HOSE DRN B	PE FRB-5350NT		1
43	3015402300	VALVE WATER AS	220-240V 50,60Hz		1
44	3014461510	PIPE WICON AS	TSW OD4.76XT0.7		1
45	NO DISPON	FIXTURE MOTR	PP		1
46	3015916100	MOTOR C FAN AS	DC-2213DWCA-3		1
47	3018500300	M/BELL B	PP		1
48	3018500200	M/BELL A	PP		1
49	3011834700	FAN	ABS OD3.17XD150		1
50	NO DISPON	CLAMP FAN	SUS 304		1
51	3016808100	DRYER AS	C1220T		1
52	3011497000	COVER MACH ROOM AS	SBHG T0.35		1
53	NO DISPON	SCREW TAPPING	T1 TRS 4X12 MFZN		7
95	3017053500	EVA AS	FRU-5711		1
95-1	3012818300	HEATER SHEATH AS	AC220V/ 192W		1
95-2	3014806900	SENSOR D AS	PBN-43		1
95-3	NO DISPON	FIXTURE D SENS	PP		1
95-4	3017202000	FUSE TEMP AS	AC250V 10A 77C		1

- Some parts can be chaged for improving their perfomance without notice.
 - Above parts number doesn't describe your own colour & printing. Please remind!

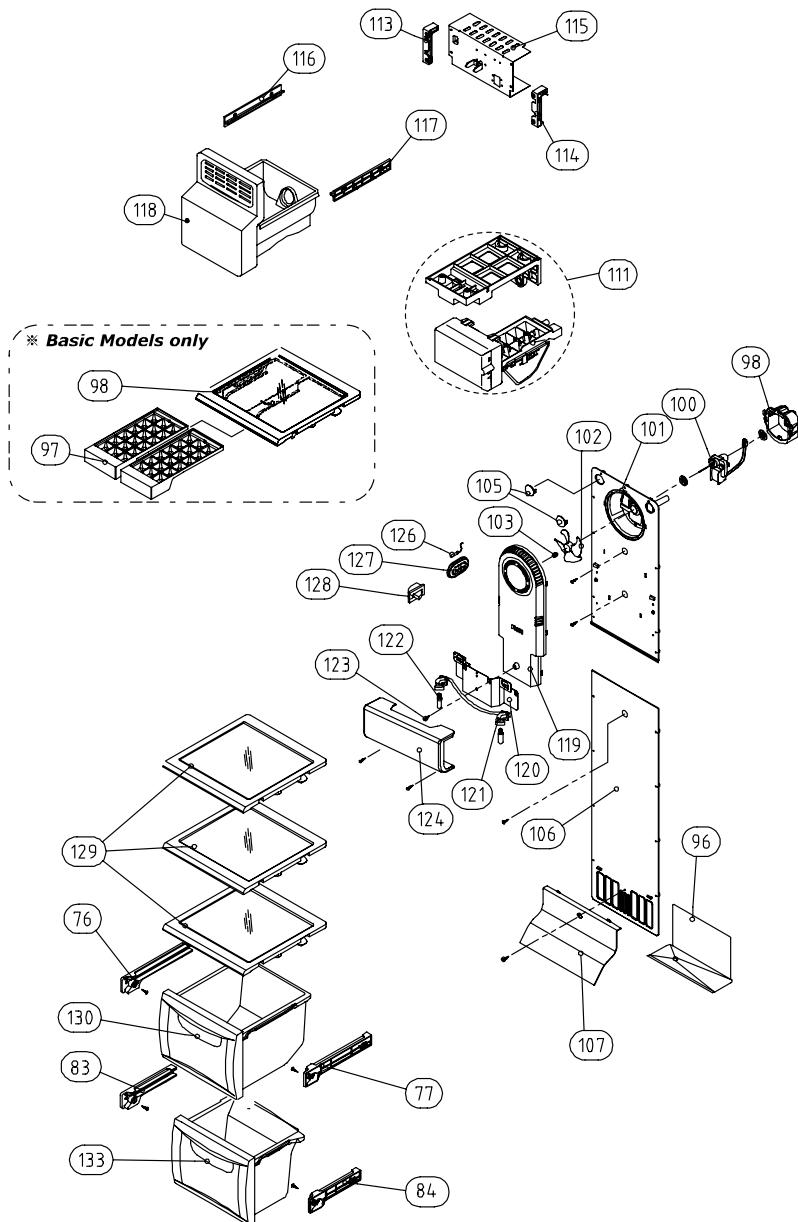
Date	A mendment Note



NO	PART-CODE	PART NAME	SPEC.	Q'ty	
					20DC
60	NO DISPONIBLE PARA ESTE MODELO				
60-1	NO DISPONIBLE PARA ESTE MODELO				X
61	3012205001	FRAME CHECK VALVE AS	FRU-5711		1
62	3012024200	FIXTURE MOTR AS			1
62-1	3015916000	MOTOR R FAN	D4612AAA20		1
63	3011495100	COVER DAMP AS	FRU-541D		1
63-1	3014807100	SENSOR R AS	PBN-43B		1
64	NO DISPONIBLE PARA ESTE MODELO				1
65	3012514500	GUIDE CASE A *L AS	ABS		1
66	3012514600	GUDIE CASE A *R AS	ABS		1
67	3013602500	LAMP F/R	AC 240V 25W(S)		2
69	3015510800	WINDOW R LAMP	MIPS		1
71	3018128600	SWITCH DR	SPF101B-1D (R-600a)		1
72	3017842820	SHELF INMOLDING R A AS	COMPATIBLE: 3017842810 / 301742800		2
73	3017842500	SHELF WINE	GPPS		Opt
74	3017843320	SHELF INMOLDING R C AS	COMPATIBLE: 3017843300		1
75	3017842910	SHELF INMOLDING R B AS	COMPATIBLE: 3017842900		1
76	3012514500	GUIDE CASE A *L AS	ABS		1
77	3012514600	GUDIE CASE A *R AS	ABS		1
79	3011114630	CASE VEGETB B AS	CASE (NANO) +FRAME		1
80	3018701800	DEO ANTI AS	W40XT5XL40		1
81	3011445900	COVER RETURN DUCT	PP		1
82	3011446700	COVER VEGETB CASE B	GPPS		1
83	3012529700	GUIDE CASE C *L AS	ABS		1
84	3012529800	GUIDE CASE C *R AS	ABS		1
85	3011114730	CASE VEGETB C AS	CASE (NANO) +FRAME		1
93	3011171330	CASE EGG AS	COMPATIBLE: 3011171300		1
94	3018201000	TANK WATER AS	FRU-541D		1

- Some parts can be chaged for improving their performance without notice.
 - Above parts number doesn't describe your own colour & printing. Please remind!

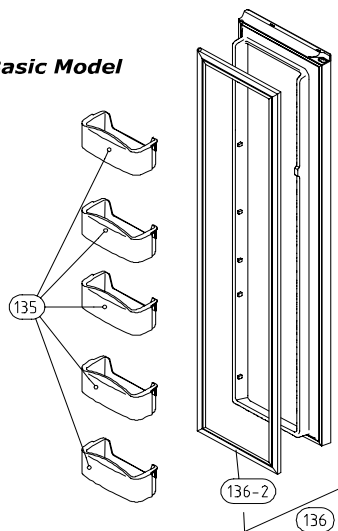
Date	A mendment Note



NO	PART-CODE	PART NAME	SPEC.	Q'ty	
					20DC
76	3012514500	GUIDE CASE A *L AS	ABS		1
77	3012514600	GUIDE CASE A *R AS	ABS		1
83	3012529700	GUIDE CASE C *L AS	ABS		1
84	3012529800	GUIDE CASE C *R AS	ABS		1
96	NO DISPON	GUIDE DRN	GA		1
97	NO DISPONIBLE PARA ESTE MODELO				
98	NO DISPONIBLE PARA ESTE MODELO				
100	3015915900	MOTOR F FAN	D4612AAA21		1
101	3018921300	LOUVER F A	ABS		1
102	3011834500	FAN	ABS OD3.17XD130		1
103	NO DISPON	CLAMP FAN	SUS 304		1
105	3010968600	CAP F LOUVER B	HIPS		2
106	3018921500	LOUVER F B AS	HIPS		1
107	3011443200	COVER F RETURN	HIPS		1
111	3012205820	FRAME ICE MAKER AS	FRU-541D (R-600a)		1
113	3012517800	GUIDE G/MOTR BRKT *L	ABS		1
114	3012517900	GUIDE G/MOTR BRKT *R	ABS		1
115	3010658110	BRACKET GEARED MOTR AS	COMPATIBLE: 3010658100		1
116	3012520500	GUIDE ICE CRUSHER *L	ABS		1
117	3012517700	GUIDE ICE CRUSHER *R	ABS		1
118	3011115200SBS	CASE I/CRUSHER AS	COMPATIBLE: 3011115201		1
119	3001401710	COVER F FAN AS	FRU-571I		1
120	NO DISPON	PLATE F LAMP	SGCC T0.8		1
121	3017906600	SOCKET F LAMP AS	FRU-571I		1
122	3013602500	LAMP F/R	AC 240V 25W(S)		2
124	3015510700	WINDOW F LAMP	MIPS		1
126	3014807000	SENSOR F AS	PT-38		1
127	3011442600	COVER F SENS	ABS		1
128	3018128500	SWITCH DR	SPF101B-1D (R-600a)		1
129	3017842600	SHELF F AS	COMPATIBLE: 3017842610		3
130	3011114830	CASE F A AS	CASE (NANO) +FRAME		1
133	3011114930	CASE F B AS	CASE (NANO) +FRAME		1

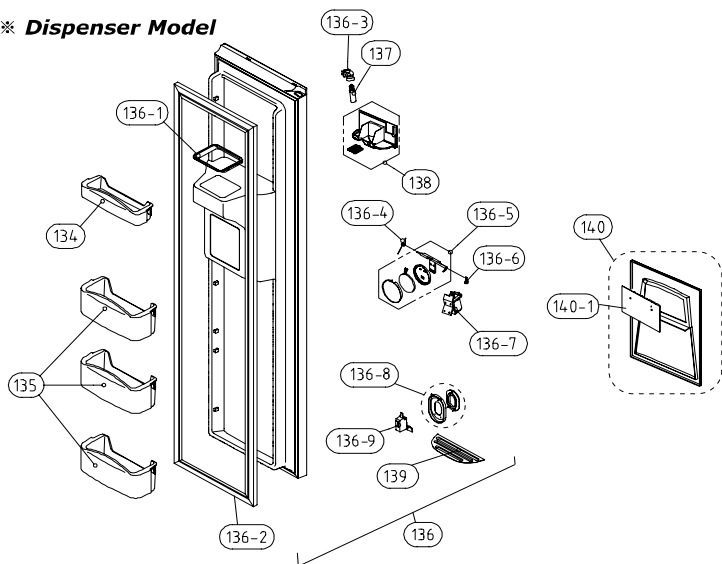
- Some parts can be changed for improving their performance without notice.
 - Above parts number doesn't describe your own colour & printing. Please remind!

※ **Basic Model**



PARA VER EL CONJUNTO DE ASAS IR A PÁGINA DE ASAS (ÚLTIMA PÁGINA)

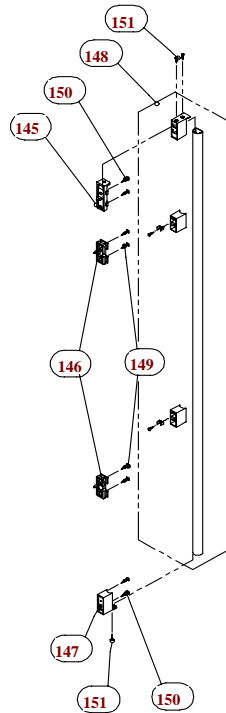
※ **Dispenser Model**



NO	PART-CODE	PART NAME	SPEC.	Q'ty	
					20DC
134	3019026700	POCKET F *T	HIPS		1
135	3019026600	POCKET F	HIPS		3
					X
					X
136	3000067650TSH5L	ASSY F DR	FRU-579B, TITANIUM VCM COLOR:TSH5L DISP. MODEL		X
					1
136-1	3010964600	CAP ICE PATH FRAME	PP(FRS-551F)		1
136-2	3012318810	GASKET F DR AS	COMPATIBLE: 3012318800		1
136-3	3017903702	SOCKET LAMP AS	220V 15W		1
136-4	3015102200	SPRING ICE D LEVR	SUS		1
136-5	3011495300	COVER I/FLAP AS	FRU-541D		1
136-6	3012019700	FIXTURE I/SHUT LUVR	FR-S650CD		1
136-7		VALVE SOL DISP			1
	3015403000		220-240V/50Hz		
136-8	3016304600	BUTTON DISPNS AS	FRU-541D		1
136-9	3018125800	SWITCH MICRO	VP333A-2D		1
137	3013600020	LAMP AS	240V/15W		1
138	3010544000	BOX DISPNS I/SHUT AS	FRU-541D		1
139	3012406900TSH5L	GRILLE DISPNS	COLOR: TSH5L		1
140	3011494700TSH5L	COVER DISPNS BOX AS	COLOR: TSH5L		X
					1
140-1	30143D5160	PCB FRONT AS	FR-S570ERB		X
					1
145	MIRAR PÁG. ASAS	FIXTURE HNDL SUPORT *T	HIPS		1
146	MIRAR PÁG. ASAS	FIXTURE HNDL SUPORT *M	HIPS		1
147	MIRAR PÁG. ASAS	SUPPORTER HNDL *U	1 TRS 4*12 MFZN		4
148	MIRAR PÁG. ASAS	HANDLE BAR AS	FR-S580DYB		1
149	MIRAR PÁG. ASAS	SPECIAL SCREW HNDL	WASR+ TRS5X16 MFZN		4
150	MIRAR PÁG. ASAS	SCREW MACHINE	ABS(SPRAY)		1

- Some parts can be changed for improving their performance without notice.
 - Above parts number doesn't describe your own colour & printing. Please remind!

Date	A mendment Note



NO	PART-CODE	PART NAME	SPEC.	Q'ty
145	3012027200	FIXTURE HNDL SUPORT *T	HIPS	
146	3012018700	FIXTURE HNDL SUPORT *M	HIPS	
147	3015311500	SUPPORTER HNDL *U	ABS+ SPRAY	
150	NO DISPONI	SCREW MACHINE	TRS 4X10 MFZN	
149	NO DISPONI	SPECIAL SCREW HNDL	M5X20	
148	3012645300	HANDLE BAR AS	FRU-577/547	

151	NO DISPONI	SPECIAL SCREW FRAME	4X14, S18C	

- Some parts can be chaged for improving their performace without notice.
- Above parts number doesn't describe your own colour & printing. Please remind!

Date	Amendment Note