

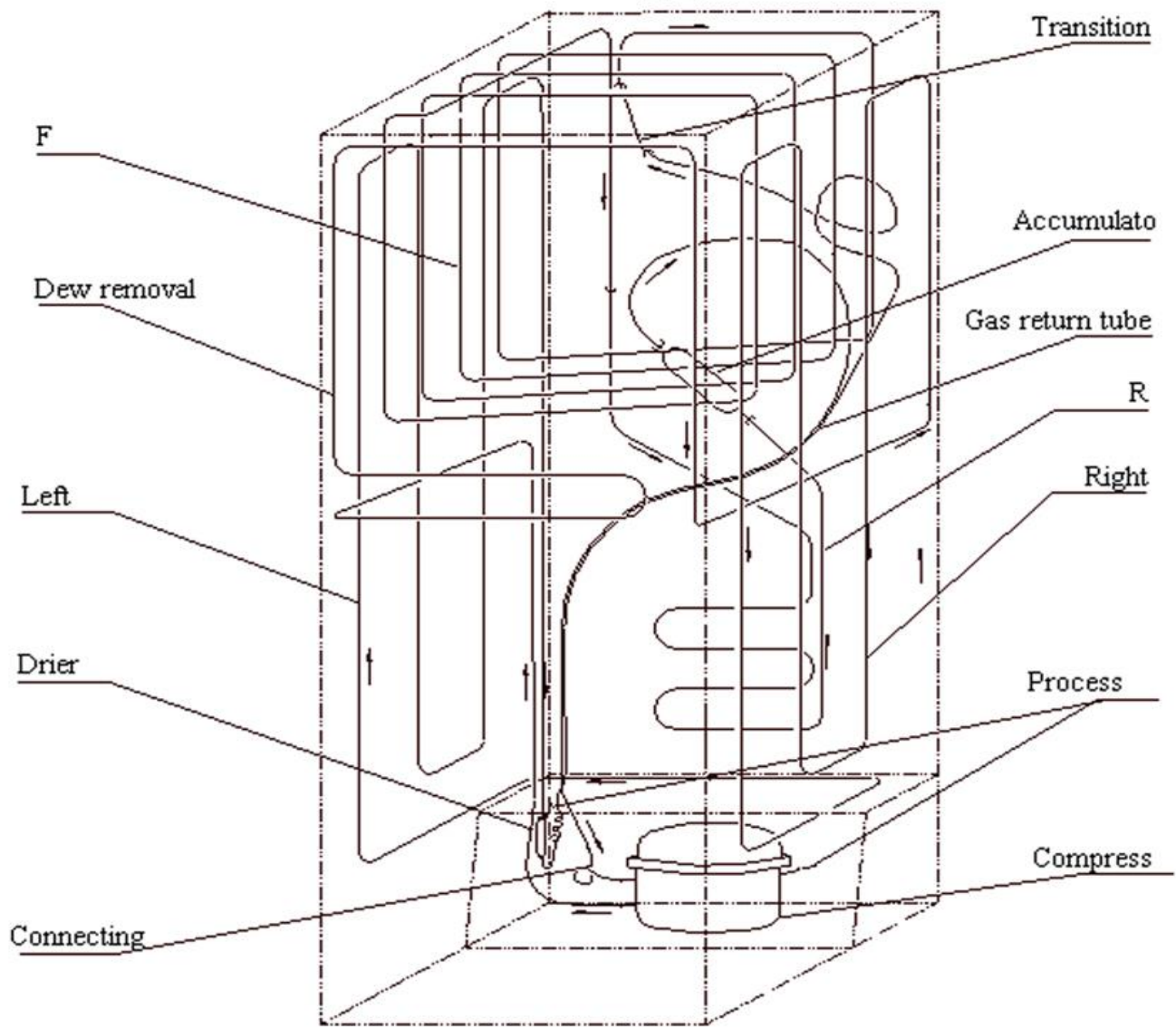
# Service Manual

**Models: FRB36WP**

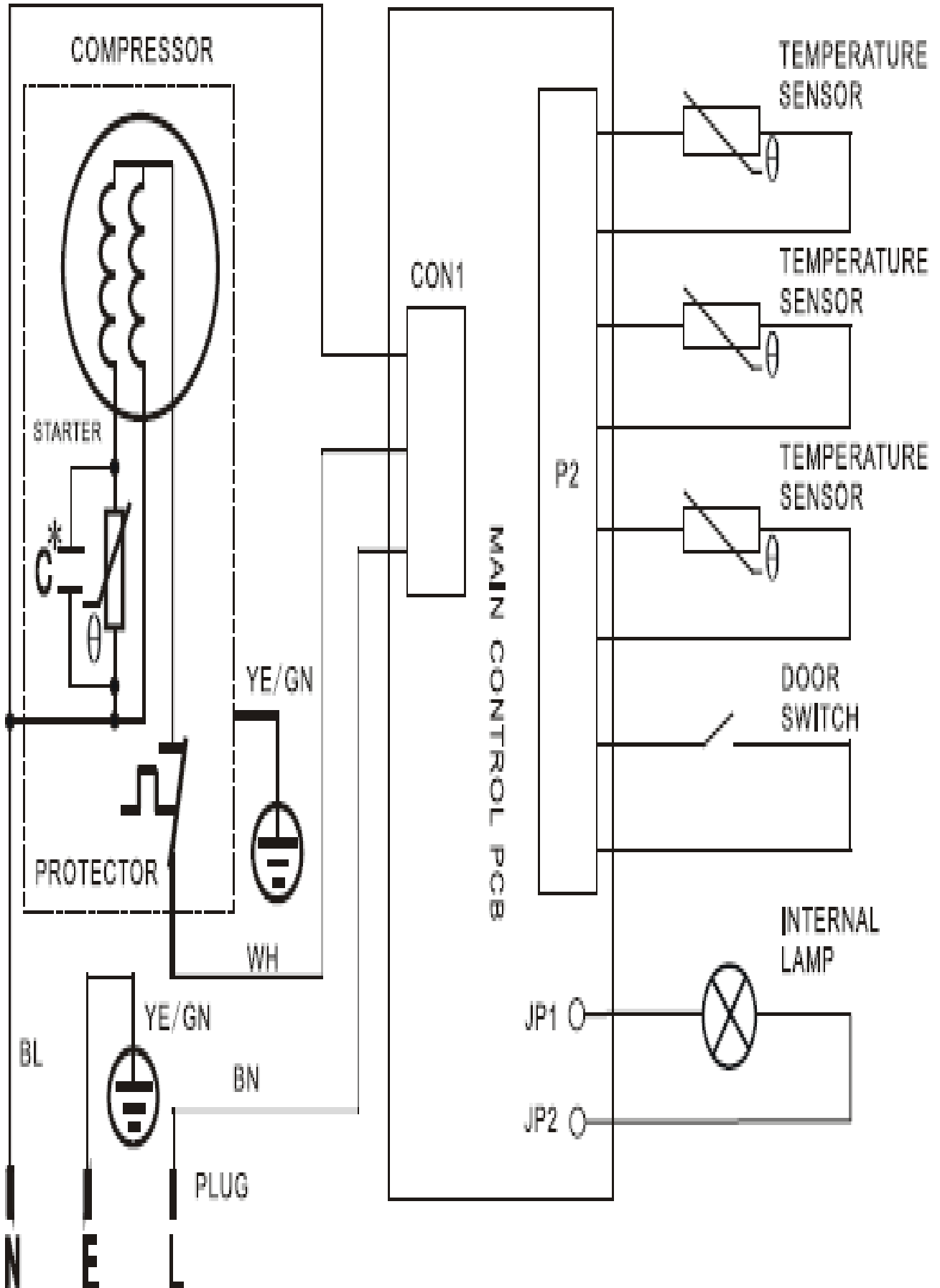
## **Features**

- **Energy efficiency**
- **Micro foam technology**
- **Low noise operation**
- **Thick insulation for energy efficiency**
- **Latest No. 2 micro-biological technology**

# The cooling system



# The electrical diagram

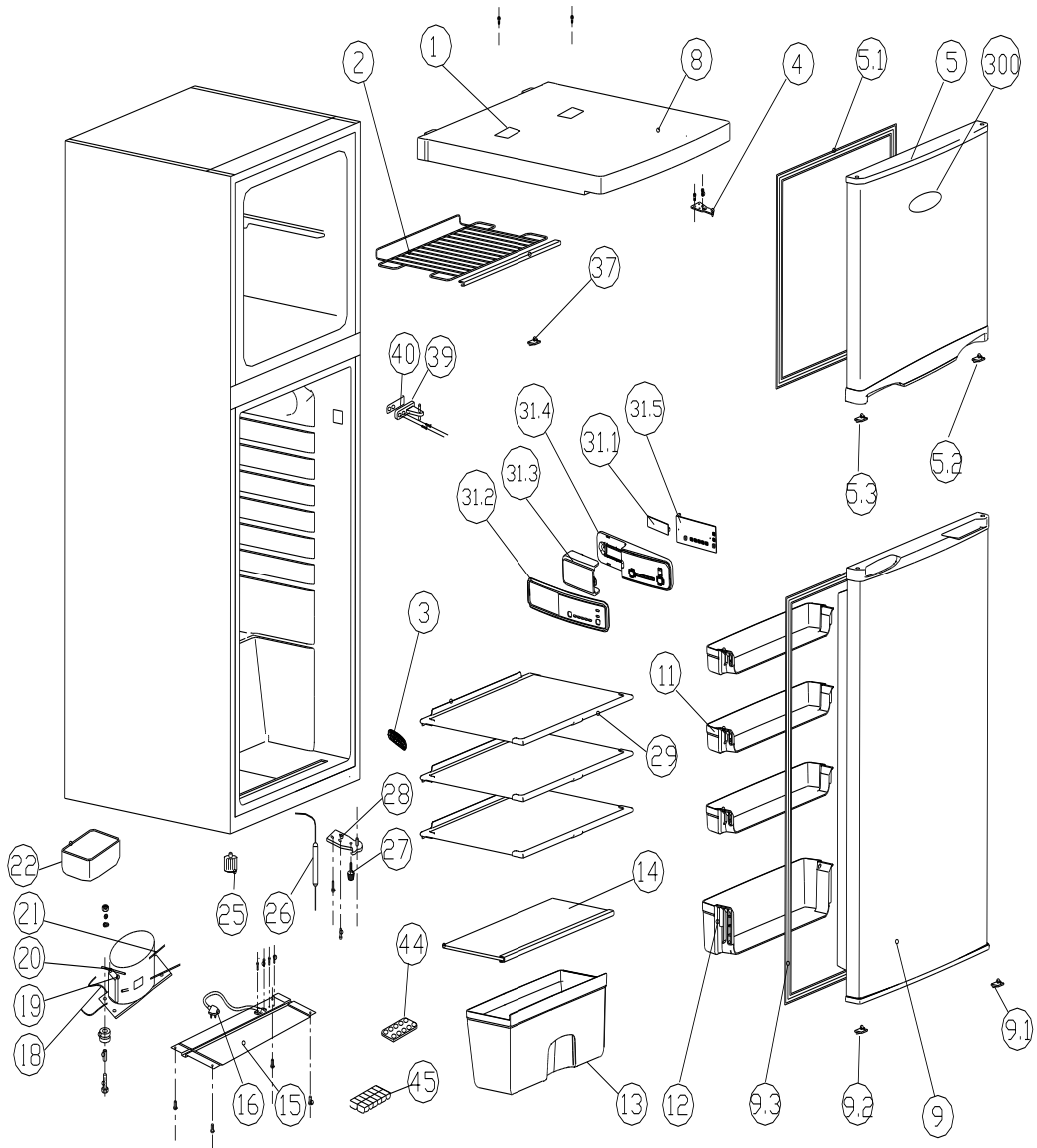


## Trouble shooting guide

No	Problem	Possible Cause	What To Do
1	The refrigerator does not get cold at all.	Not plugged in.	Plug in
		Is the circuit breaker tripped or blown fuse?	Put on the home circuit breaker or change the new fuse.
		Is the refrigerator temperature control setted at "off"?	Set the temperature control knob at "4".
2	The refrigerator does not get cold enough.	Is the refrigerator control dialed set to correct location?	Set it to a colder temperature.
		Is the refrigerator placed in direct sunlight or closely a heat source?	Move the refrigerator to proper location.
		Is the door closed completely?	Close the door completely.
		Is the door opened too frequently or too long?	Open the door less often,
		Does the door gasket seal properly?	Make the gasket sealing properly.
		Is the refrigerator overloaded?	Load less food into it.
3	The food in the refrigerator is frozen	Is the refrigerator control dialed set to correct location?	Set it to a warmer temperature.
		Is the ambient temperature too low?	
4	Two sides of the cabinet are hot: condensation occurs.	Hot-pipe is installed in two sides of refrigerator. That makes refrigerator's temperture lowquckly and save the power	Normal state.
		Condensation can occur when you leave the door open for a long time.	Normal state.
5	Vibrations	The refrigerator is not level and firm.	Place the refrigerator in a level location.
6	The refrigerator is noisy.	Water bubbling comes from the refrigerant circulating of the refrigerator.	Normal state.
		Contraction and expansion of the insulation inside the walls may cause popping and cracking.	Normal state.
		Is the refrigerator unstable or touching the wall?	Keep the refrigerator leaving the wall.
		Is the refrigerator not level?	Adjust the refrigerator leveling.
7	The door can not close properly.	Were the doors not properly installed?	Assure the doors installed properly.
		Is the door gasket dirty and distortion?	Cleaning and flatting the door gasket.
8	The lamp does not work.	Has the home circuit breaker or fuse tripped?	Put on the home circuit breaker or change the new fuse.
		Is the refrigerator's door close completely?	Assure the door close completely.
9	Operating for all long time.	Is the ambient temperature too high?	
		Is the temperature controller in freezer chamber or in refrigerator chamber is set at "strong" position	Sets it at a right position.
		Too much food is loaded into the refrigerator and insufficient spaces for airflow.	Load less food into the refrigerator.

	The door were not closed completely or the gasket not sealing enough.	Close the doors completely or make the gasket sealing enough.
	Open the door too frequently.	Decrease the open-door times.

# Exploded view



# FRB36WP

## Parts list

No.	Homa Code	Description of Spare Part	Quantity
1	20122020150	Screw cover for top cover	4
2	20120020060	Shelves of freezer chamber assembly	1
3	20122990576	Cover of senser	1
4	2301400017	Upper door hinge,right	1
5	20101060349	Upper door	1
5.1	3020400081	Upper door gasket	1
5.2	20122090004	Right limit block,upper door	1
5.3	20122090010	Left limit block,upper door	1
8	20122020369	Top cover	1
9	2100330010	Lower door	1
9.1	20122090159	Right aid-closer,lower door	1
9.2	20122090176	Left aid-closer,lower door	1
9.3	3020400082	Lower door gasket	1
11	20122050167	Door rack,upper	3
12	20122050239	Door rack,lower	1
13	2207400273	Crisper drawer	1
14	2106120183	Cover of crisper drawer	1
15	20105050009	Compressor support base	1
16	3050100083	Power supply cord plug	1
18	3050200094	Earthing wire of compressor	1
19	3040100340	Compressor	1
20	3040600005	Process tube	1
21	20114070006	Connecting tube	1
22	20122990046	Drain pan	1
25	20122990023	Long leg	1
26	3040500011	Drier filter	1
27	20122990016	Long adjust leg	1
28	3031400067	Lower door hinge	1
29	2106100187	Shelf of refrigerator chamber assembly	3
31.1	3050400025	LED light	1
31.2	2208100017	Control decorative board	1
31.3	2209100007	Lamp cover	1
31.4	2207100009	Thermostat cover	1
31.5	2500300063	Electric control board	1
37	2501100010	Door switch	1
39	3031400116	Middle door hinge	1
40	20122080065	Middle hinge cushion	1
44	20122990140	Egg tray	1
45	20122990103	Ice cube tray	1
300	2700500292	Trade mark	1
301	2700106533	Carton	1