

Service manual

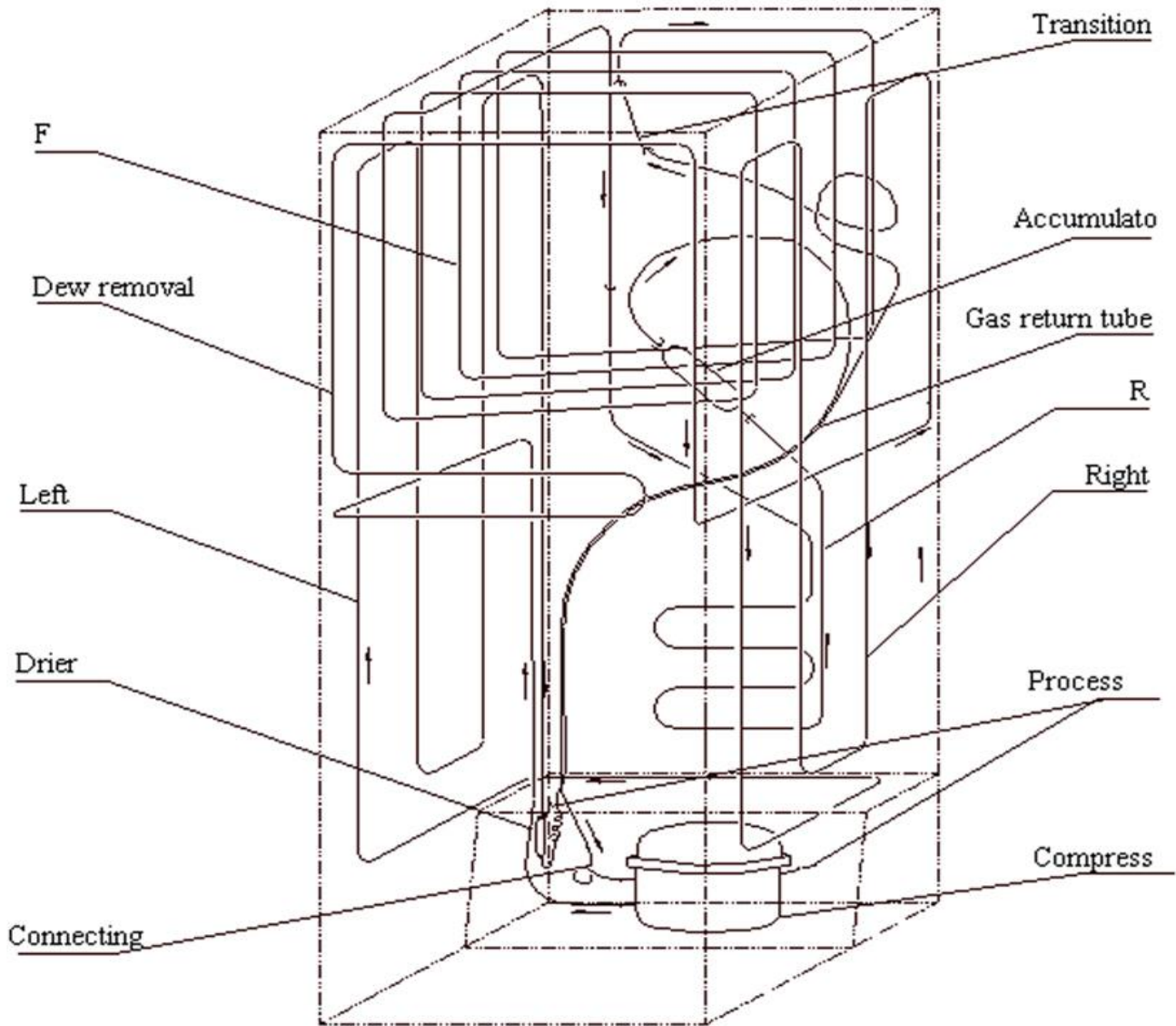
55CM Freezer Fridge

Model:DF2-34

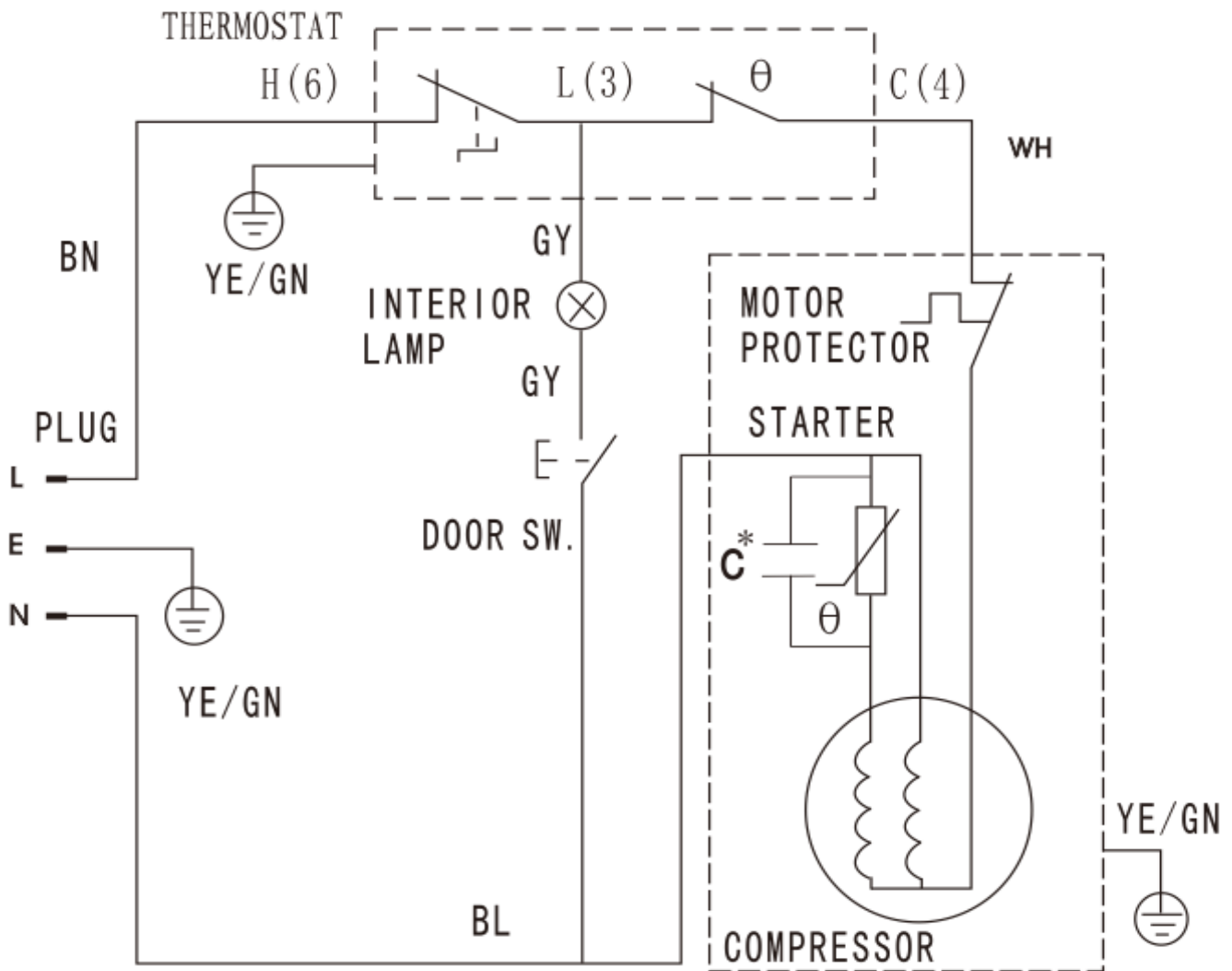
Contents

- 1 Cover
- 2 The cooling system
- 3 The electrical diagram
- 4 Trouble shooting guide
- 5 Exploded view
- 6 Parts list

The cooling system



The electrical diagram



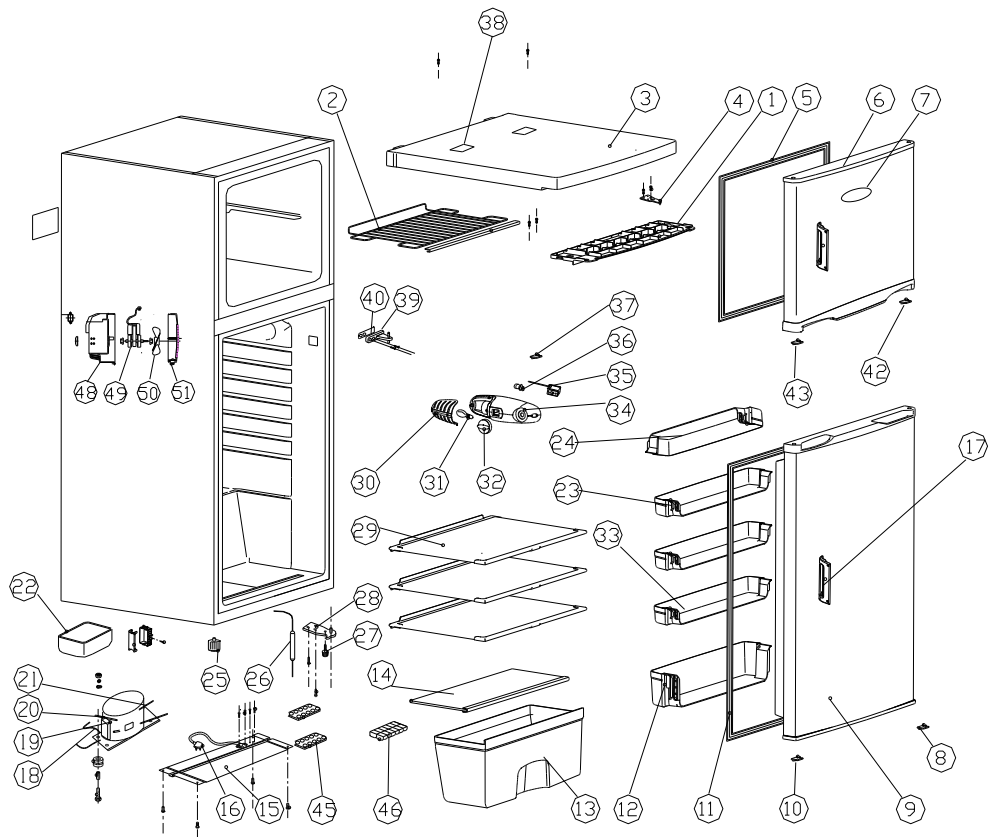
C*: The capacitor is optional according to different compressor model

Trouble shooting guide

No	Problem	Possible Cause	What To Do
1	The refrigerator does not get cold at all.	Not plugged in.	Plug in
		Is the circuit breaker tripped or blown fuse?	Put on the home circuit breaker or change the new fuse.
		Is the refrigerator temperature control setted at "off"?	Set the temperature control knob at "4".
2	The refrigerator does not get cold enough.	Is the refrigerator control dialed set to correct location?	Set it to a colder temperature.
		Is the refrigerator placed in direct sunlight or closely a heat source?	Move the refrigerator to proper location.
		Is the door closed completely?	Close the door completely.
		Is the door opened too frequently or too long?	Open the door less often,
		Does the door gasket seal properly?	Make the gasket sealing properly.
		Is the refrigerator overloaded?	Load less food into it.
3	The food in the refrigerator is frozen	Is the refrigerator control dialed set to correct location?	Set it to a warmer temperature.
		Is the ambient temperature too low?	
4	Two sides of the cabinet are hot: condensation occurs.	Hot-pipe is installed in two sides of refrigerator. That makes refrigerator's temperture lowquckly and save the power	Normal state.
		Condensation can occur when you leave the door open for a long time.	Normal state.
5	Vibrations	The refrigerator is not level and firm.	Place the refrigerator in a level location.
6	The refrigerator is noisy.	Water bubbling comes from the refrigerant circulating of the refrigerator.	Normal state.
		Contraction and expansion of the insulation inside the walls may cause popping and cracking.	Normal state.
		Is the refrigerator unstable or touching the wall?	Keep the refrigerator leaving the wall.
		Is the refrigerator not level?	Adjust the refrigerator leveling.
7	The door can not close properly.	Were the doors not properly installed?	Assure the doors installed properly.
		Is the door gasket dirty and distortion?	Cleaning and flatting the door gasket.
8	The lamp does not work.	Has the home circuit breaker or fuse tripped?	Put on the home circuit breaker or change the new fuse.
		Is the refrigerator's door close completely?	Assure the door close completely.
9	Operating for all long time.	Is the ambient temperature too high?	
		Is the temperature controller in freezer chamber or in refrigerator chamber is set at "strong" position	Sets it at a right position.
		Too much food is loaded into the refrigerator and insufficient spaces for airflow.	Load less food into the refrigerator.

	The door were not closed completely or the gasket not sealing enough.	Close the doors completely or make the gasket sealing enough.
	Open the door too frequently.	Decrease the open-door times.

Exploded view



DF2-34 Parts list

No.	Parts code	Description of Spare Part	Quantity
		A+	(UNIT)
1	20122020182	Support plate of top cover	1
2	20120020060	Shelves of freezer chamber	1
3	20120050150	Top cover	1
4	3031400066	Upper door hinge assembly	1
5	3020400081	Upper door gasket	1
6	20101060593	Upper door	1
7	2700500033	Trade mark	1
8	20122090159	Lower door right aid-closer	1
9	20101060152	Lower door	1
10	20122090176	Lower door left aid-closer	1
11	3020400082	Lower door gasket	1
12	20122050124	Lower Rack	1
13	20122040176	Crisper drawer	1
14	20120030045	Cover of crisper drawer	1
15	20120080132	Compressor support base	1
16	3050100093	Supply cord plug	1
17	20122090213	Handle	2
18	3050200094	Earthing wire of compressor	1
19	3040100150	Compressor	1
20	3040600005	Process tube	2
21	20114070006	Connecting tube	1
22	20122990046	Drain pan	1
23	20122050381	Upper Rack	1
24	20122050003	Middle Rack	1
25	20122990023	Long adjust leg	1
26	3040500011	Drier filter	1
27	20122990016	Short adjust leg	1
28	3031400067	Lower door hinge assembly	1
29	20120020046	Shelf of refrigerator chamber	3
30	20122010047	Lamp cover	1
31	3050500008	Lamp Bulb	1
32	20122010037	Thermostat knob	1
33	20122050101	Middle Rack	2
34	20122010002	Thermostat cover	1
35	3040200022	Thermostat	1
36	3050600003	Lamp holder	1
37	2501100002	Door switch	1
38	20122020150	Screw cover for top cover	4
39	3031400116	Middle hinge	1
40	20122080065	Middle hinge cushion	1
42	20122090004	Right limit block of door	1
43	20122090010	Left limit block of door	1
45	20122990126	Egg tray	2
46	20122990103	Ice cube tray	1
47	3070100164	Carton	1
48	20122990468	Installing assembly	1
49	3059900026	Electromotor assembly	1
50	3059900023	Thermostat switch	1
51	20122990469	The cover of electromotor	1
		Totally Quantity:	

Total Amount: