

**DAEWOO**

# **DESPIECE**

Refrigerator

**MODEL : FRB280WP**

✓ **Caution :**

In this Manual, some parts can be changed for improving, their performance without notice in the parts list. So, if you need the latest parts information, please refer to PPL(Parts Price List) in Service Information Center (<http://svc.dwe.co.kr>).

**DAEWOO ELECTRONICS Corp.**

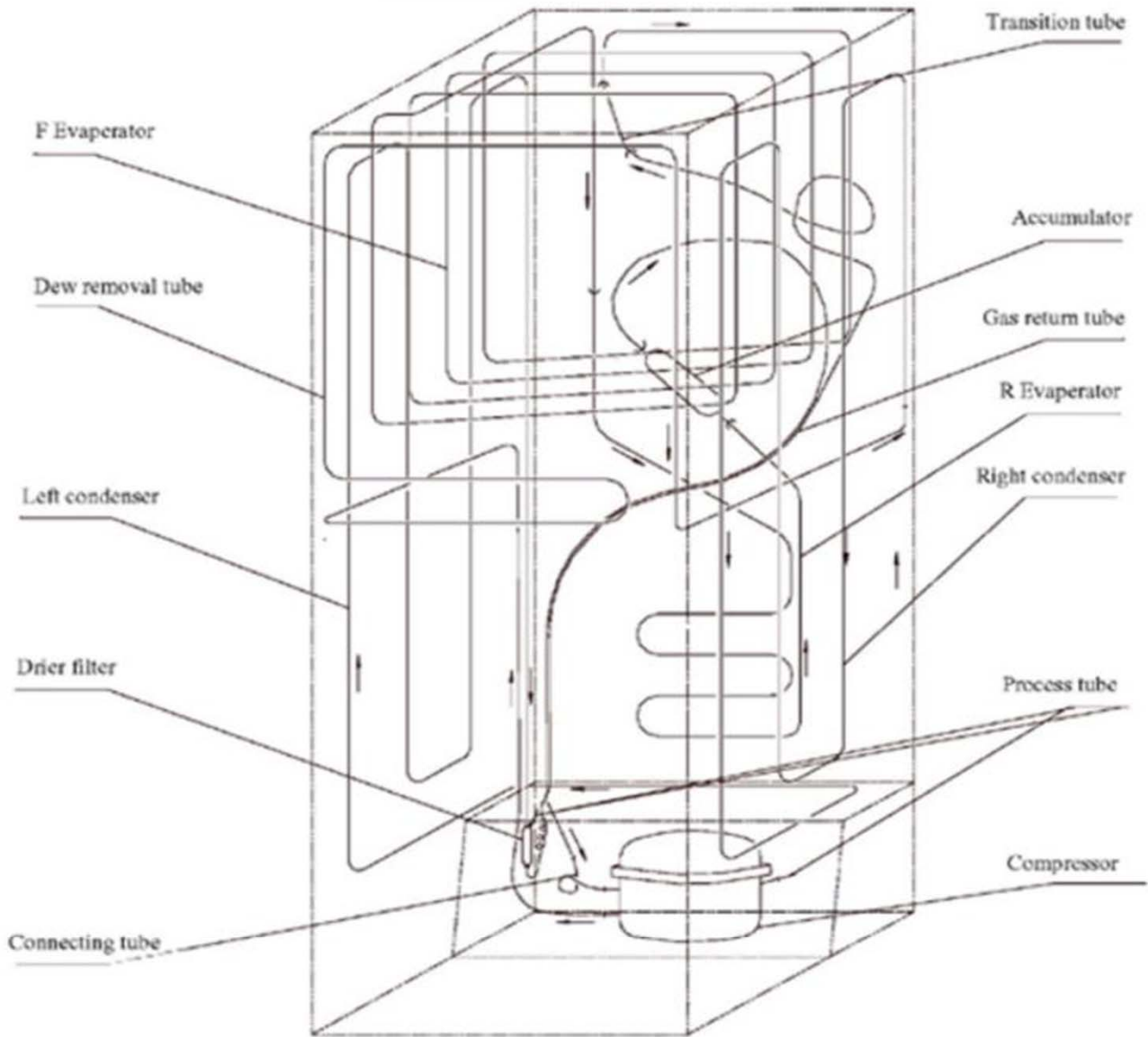
[http : //svc.dwe.co.kr](http://svc.dwe.co.kr)

# Model: FRB28WP

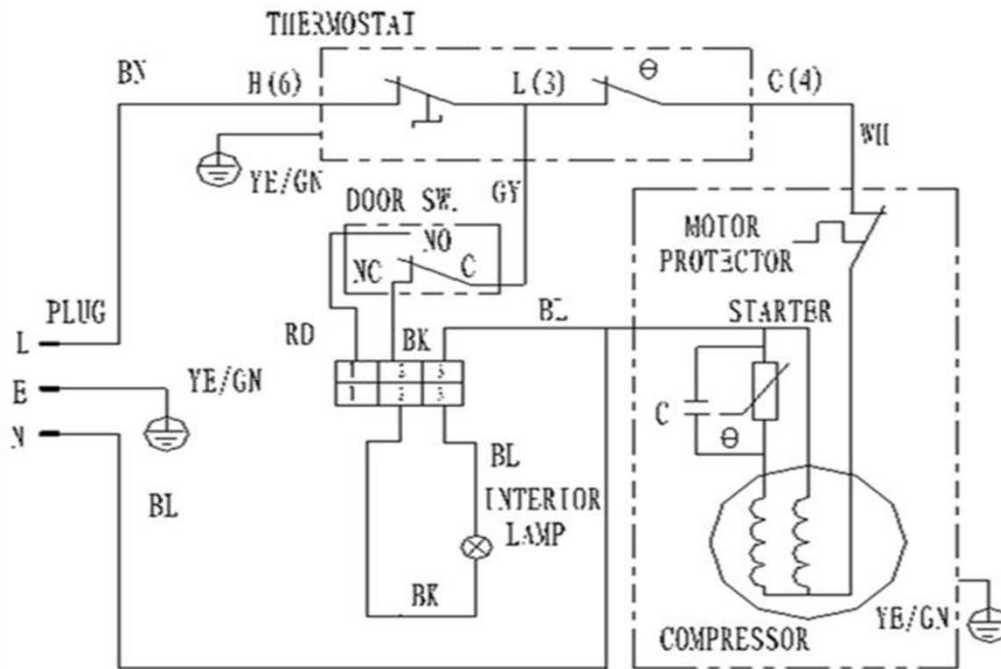
## Contents

- 1 Cover
- 2 The cooling system
- 3 The electrical diagram
- 4 Trouble shooting guide
- 5 Exploded view
- 6 Parts list

# The cooling system



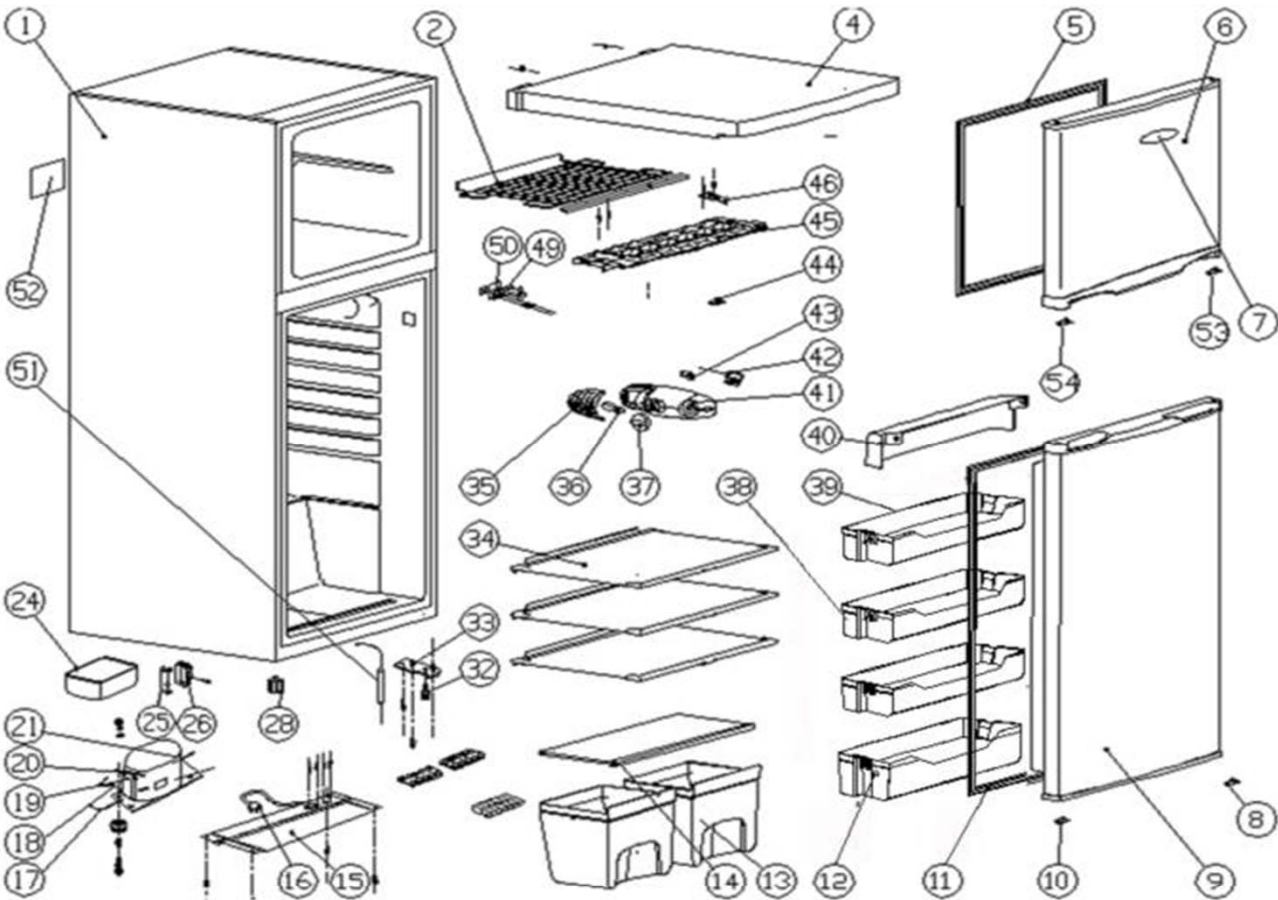
## The electrical diagram



## Trouble shooting guide

No	Problem	Possible Cause	What To Do
1	The refrigerator does not get cold at all.	Not plugged in.	Plug in
		Is the circuit breaker tripped or blown fuse?	Put on the home circuit breaker or change the new fuse.
		Is the refrigerator temperature control setted at "off"?	Set the temperature control knob at "4".
2	The refrigerator does not get cold enough.	Is the refrigerator control dialed set to correct location?	Set it to a colder temperature.
		Is the refrigerator placed in direct sunlight or closely a heat source?	Move the refrigerator to proper location.
		Is the door closed completely?	Close the door completely.
		Is the door opened too frequently or too long?	Open the door less often,
		Does the door gasket seal properly?	Make the gasket sealing properly.
3	The food in the refrigerator is frozen	Is the refrigerator control dialed set to correct location?	Set it to a warmer temperature.
		Is the ambient temperature too low?	
4	Two sides of the cabinet are hot: condensation occurs.	Hot-pipe is installed in two sides of refrigerator. That makes refrigerator's temperture lowquckly and save the power consumption	Normal state.
		Condensation can occur when you leave the door open for a long time.	Normal state.
5	Vibrations	The refrigerator is not level and firm.	Place the refrigerator in a level location.
6	The refrigerator is noisy.	Water bubbling comes from the refrigerant circulating of the refrigerator.	Normal state.
		Contraction and expansion of the insulation inside the walls may cause popping and cracking.	Normal state.
		Is the refrigerator unstable or touching the wall?	Keep the refrigerator leaving the wall.
		Is the refrigerator not level?	Adjust the refrigerator leveling.
7	The door can not close properly.	Were the doors not properly installed?	Assure the doors installed properly.
		Is the door gasket dirty and distortion?	Cleaning and flatting the door gasket.
8	The lamp does not work.	Has the home circuit breaker or fuse tripped?	Put on the home circuit breaker or change the new fuse.
		Is the refrigerator's door close completely?	Assure the door close completely.
9	Operating for all long time.	Is the ambient temperature too high?	
		Is the temperature controller in freezer chamber or in refrigerator chamber is set at "strong" position	Sets it at a right position.
		Too much food is loaded into the refrigerator and insufficient spaces for airflow.	Load less food into the refrigerator.
10	Operating for all long time.	The door were not closed completely or the gasket not sealing enough.	Close the doors completely or make the gasket sealing enough.
		Open the door too frequently.	Decrease the open-door times.

**Exploded view**



No.	Old code date	Old code	Parts code	Description of Spare Part
01			NO DISPONIBLE	Cabinet
02			10202086	Shelves of freezer chamber
04			20011364	Top cover
05			20011683	Upper door gasket
06				Upper door
07				Trade mark
08			20010021	Lower door right aid-closer
09				Lower door
10			20010384	Lower door left aid-closer
11			20011686	Lower door gasket
12A			20014704	Lower door lower balcony (transparent)
12B			20014646	Lower door lower balcony (emerald green)
12C			20014702	Lower door lower balcony (transparent)
13A			20012256	Crisper drawer (transparent)
13B			20011639	Crisper drawer (emerald green)
13C			20013683	Crisper drawer (ice blue)
14		10202874	10200524	Cover of crisper drawer
15			10201405	Compressor support base
16			20050055	Supply cord plug
17			20050009	Connecting wire of compressor
18				Earthing wire of compressor
19			20061077	Compressor
20			20060010	Process tube
21A			20060046	Connecting tube (short)
21B			20060020	Connecting tube (long)
24			20012807	Drain pan
26			10202249	Wire box
28		20010335	20010035	Long adjustable Foot
32			20011696	Short adjust leg
33			20021371	Lower door hinge assembly
34		10202873	10201926	Shelf of refrigerator chamber
35			20011051	Lamp cover
36A			20050046	Lamp Bulb (E14,220V)
36B			20050045	Lamp Bulb (E14,110V)
37			20010024	Thermostat knob
39A			20014703	Lower door upper balcony (transparent)
39B			20014643	Lower door upper balcony (emerald green)
39C			20014701	Lower door upper balcony (ice blue)
40A			20012301	Balcony cover(transparent)
40B			20011640	Balcony cover (emerald green)
40C				Balcony cover (ice blue)
41			20010216	Thermostat cover
42			20060703	Thermostat
43			20050031	Lamp holder (E14)
44			20050016	Door switch
45			20012215	Support plate of top cover
46			20020251	Upper door hinge assembly
49			20021249	Middle hinge
50			20012230	Cushion for Door Hinge
51A			20060745	Drier filter (for R600a)
51B			20060048	Drier filter (for R134a)
52				Rating plate
53			20010068	Right limit block of door
54			20010371	Left limit block of door