

**DAEWOO**

# Service Manual

Refrigerator

Model : FR-3801

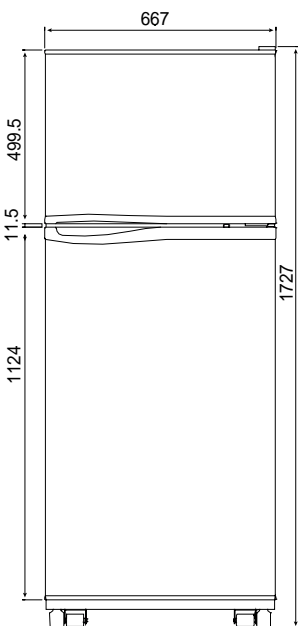
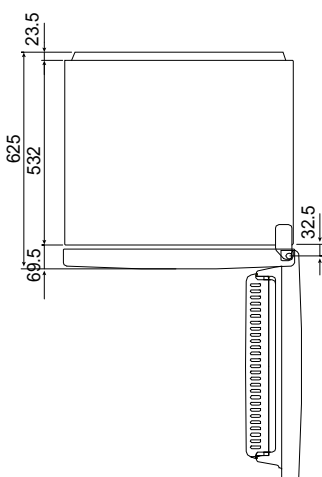


**DAEWOO ELECTRONICS CO., LTD.  
OVERSEAS SERVICE DEPT.**

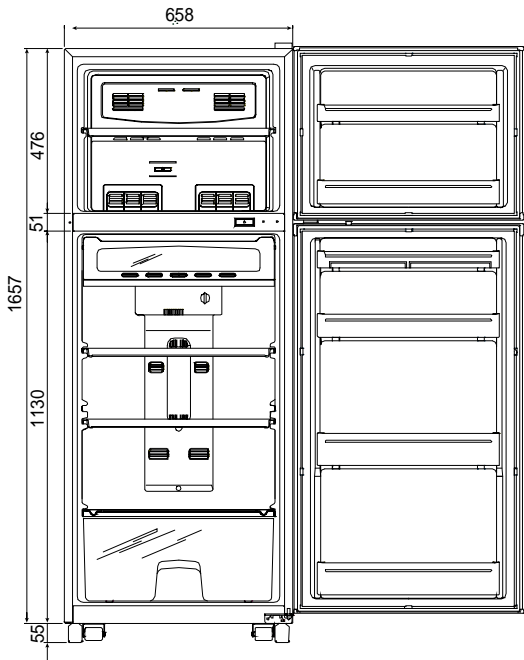
# 1. SPECIFICATIONS

<b>Model Name</b>		<b>FR-3801</b>			
Cooling system		Fan Cooling Convention Type			
Refrigeration System		Air Forced Convention			
Defrost System		Forced Fin-Evaporator Type			
Defrost Operation		Automatic start & stop			
Cold Control		Adjustable Dial			
Method		NET	GROSS		
Capacity (l)	Freezer	73	79		
	Refrigerator	218	254		
	Total	291	333		
External Dimension (mm)	Width (W)	667			
	Depth (D)	625			
	Height (H)	1727			
Net Weight (kg)		61			

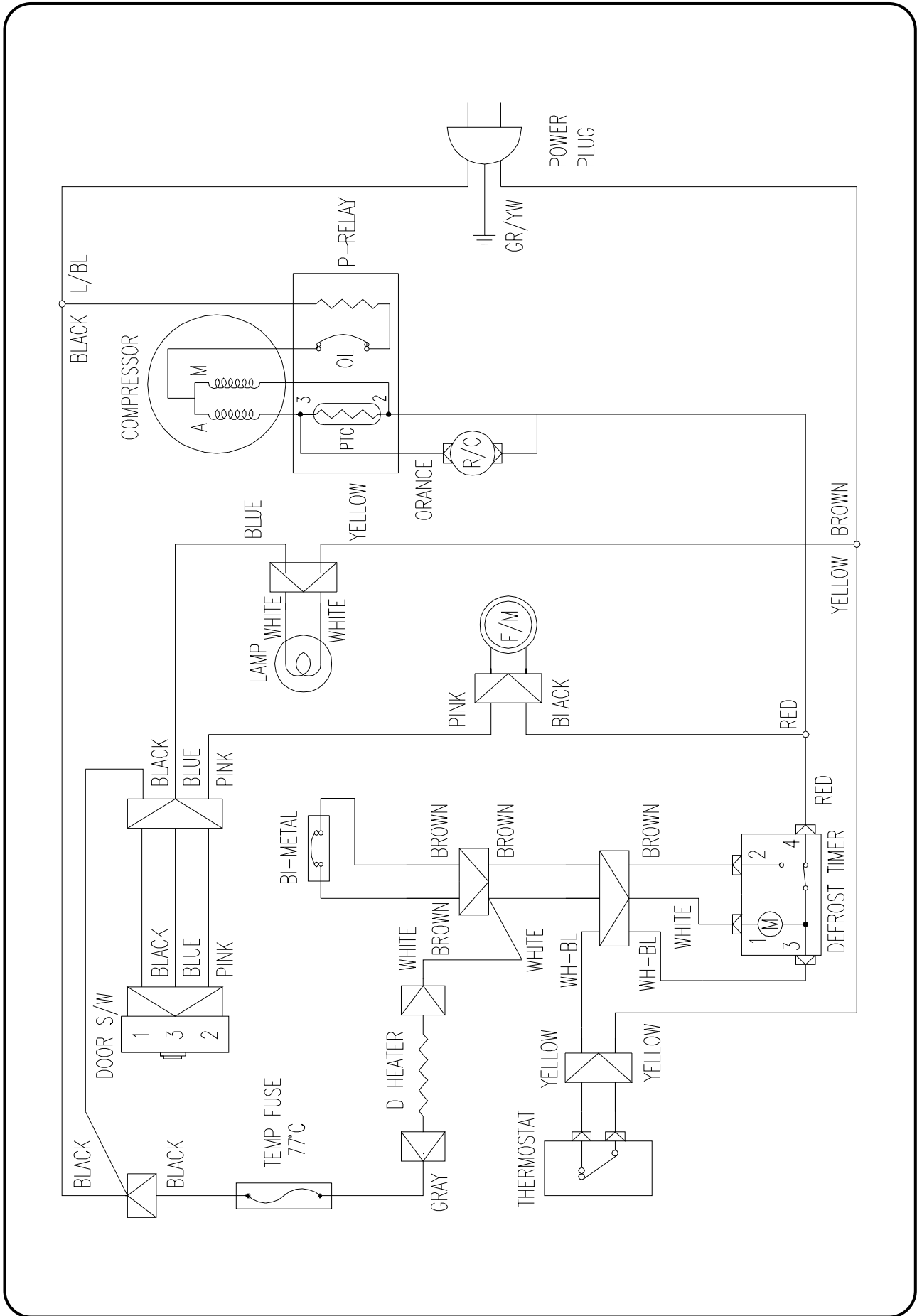
# EXTERNAL VIEWS



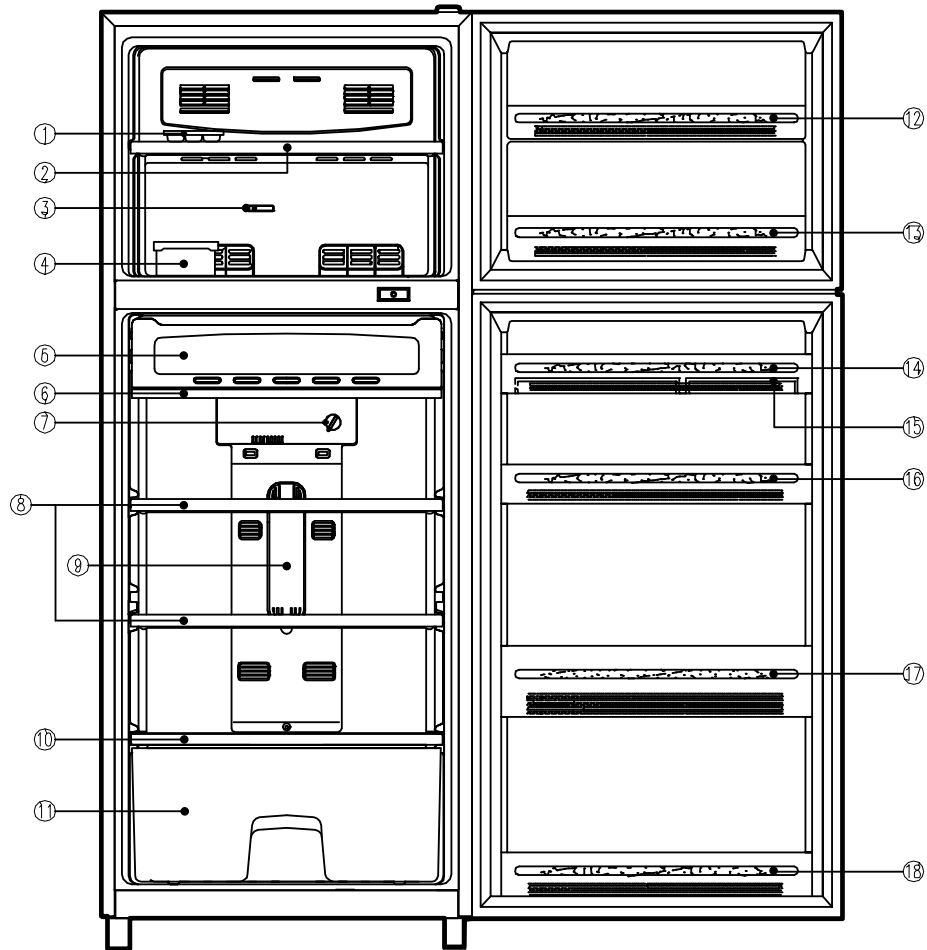
**(FR-3801)**



### 3. WIRING DIAGRAM

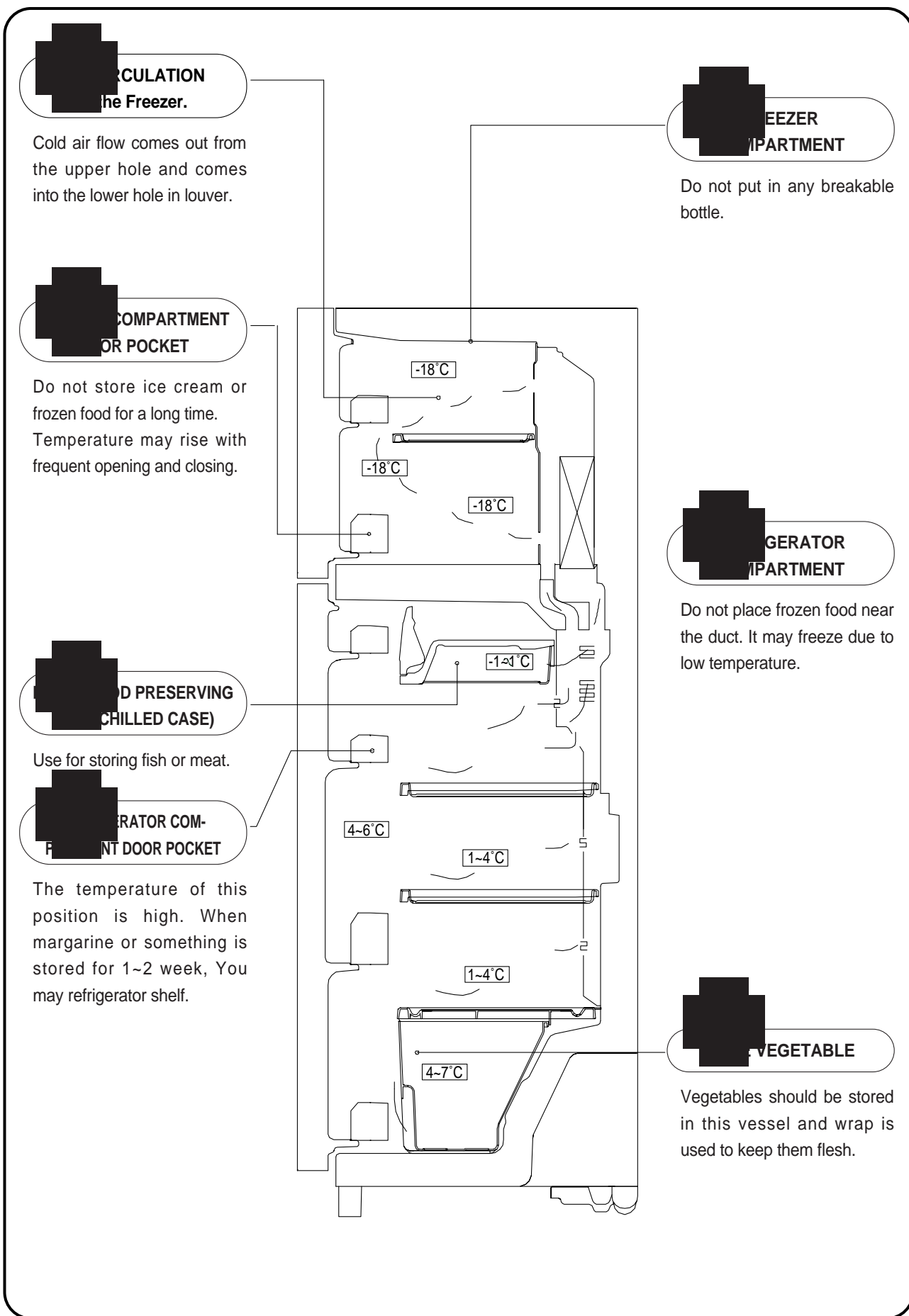


## 4. NAME OF PARTS

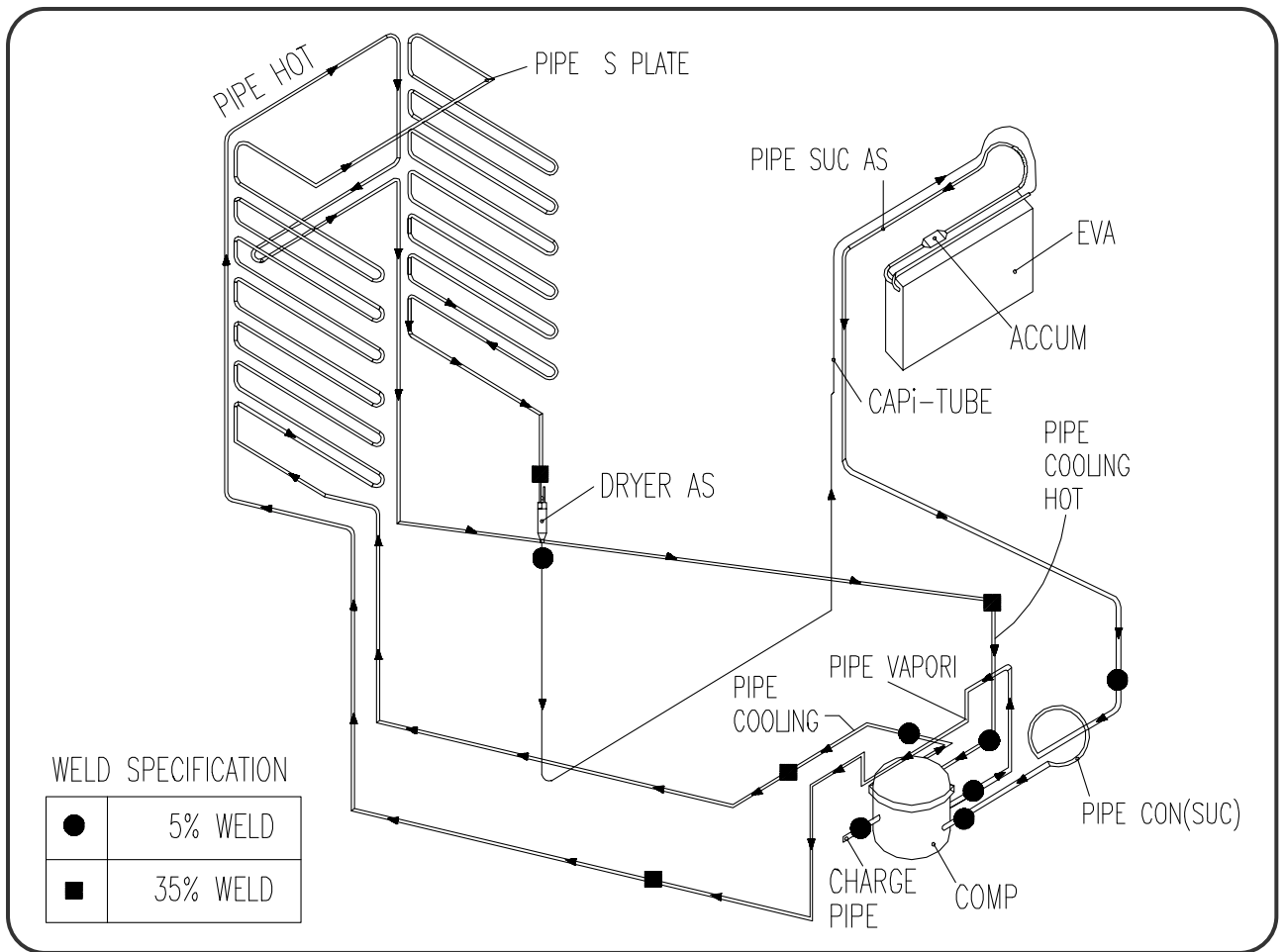


- |  |                           |
|--|---------------------------|
| ① CASE ICING                                 | ⑨ LAMP COVER (SHADE R)    |
| ② F SHELF (REMOVABLE)                        | ⑩ COVER CASE VAGETB       |
| ③ FREEZER TEMPERATURE<br>CONTROL KNOB        | ⑪ CASE VEGETABLE          |
| ④ CASE ICE                                   | ⑫ FREEZER POCKET (TOP)    |
| ⑤ CHILLED CASE DOOR                          | ⑬ FREEZER POCKET (BOTTOM) |
| ⑥ CASE CHILLED                               | ⑭ UTILITY POCKET (TOP)    |
| ⑦ REFRIGERATOR TEMPERATURE<br>CONTROL SWITCH | ⑮ CASE EGG                |
| ⑧ R SHELF (REMOVABLE)                        | ⑯ UTILITY POCKET (BOTTOM) |
|  | ⑰ BOTTLE POCKET (TOP)     |
|  | ⑱ BOTTLE POCKET (BOTTOM)  |

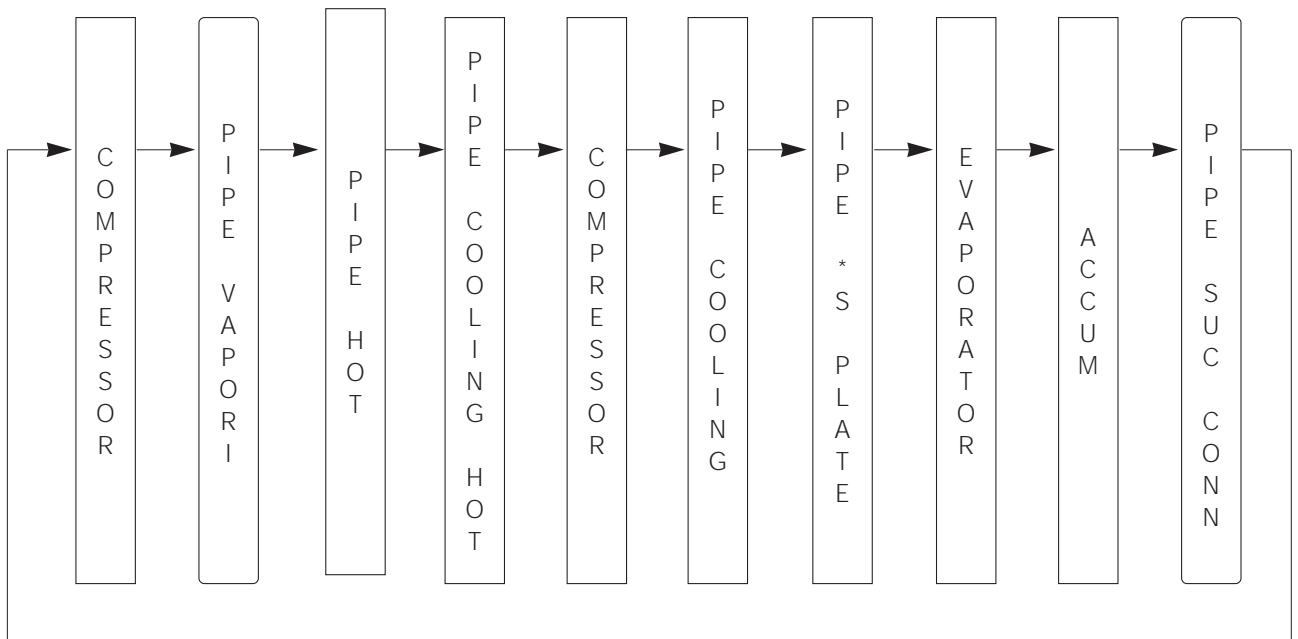
# 5. AIR FLOW DIAGRAM



# 6. REFRIGERANT CYCLE DIAGRAM

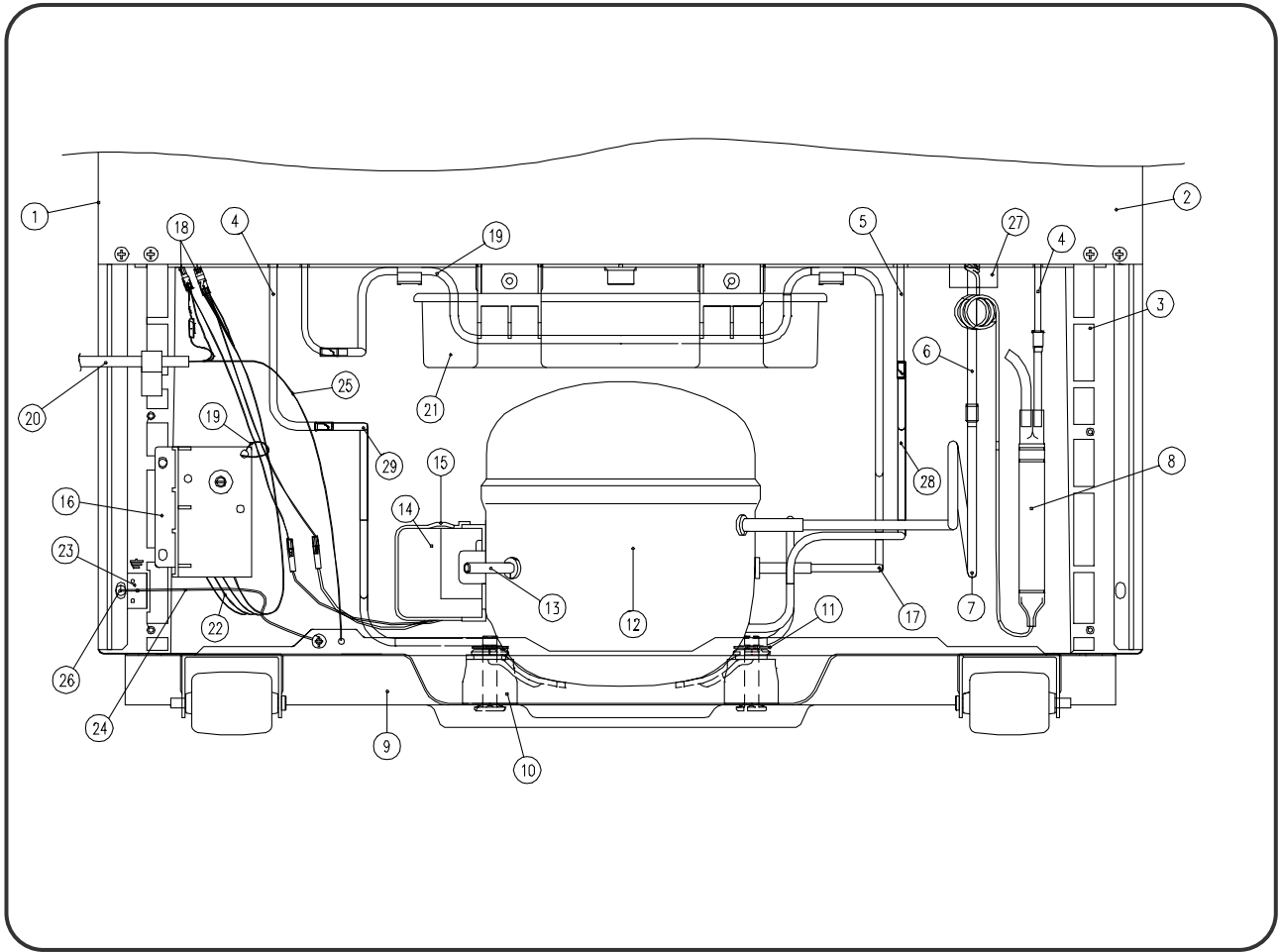


## CYCLE





# 7. MACHINE ROOM VIEW AND PART LIST



NO.	PART NAME	NO.	PART NAME	NO.	PART NAME
1	CABINET AS	15	BAND RELAY	29	PIPE COOLING
2	COVER CAB	16	BOX POWER AS	30	
3	BASE CAB AS	17	PIPE VAPORI	31	
4	PIPE *S PLT	18	HARNESS MAIN	32	
5	PIPE HOT	19	WIRE BIND	33	
6	PIPE SUC AS	20	CORD POWER	34	
7	PIPE CONN (SUC)	21	CASE VAPORI	35	
8	DRYER AS	22	HARNESS TIMER AS	36	
9	BASE COMP	23	BRACKET EARTH	37	
10	ABSORBER COMP	24	WIRE EARTH	38	
11	WASHER COMP *T	25	POWER CORD EARTH	39	
12	COMPRESSOR	26	SCREW MACHINE	40	
13	PIPE SERVICE	27	BANGJIN GUM	41	
14	SWITCH P-RELAY AS	28	PIPE COOLING HOT	42	

# 9. MAIN COMPONENTS

## 1. COMPRESSOR

Refrigerant	R-12				
Voltage	110V/60Hz	127V/60Hz	220~240V/50Hz	220V/50Hz	220V/60Hz
Comp. model	CL23YE-3-C	CL23YE-2-C	SL25YE-5-C	KL25YE-5-C	PL23YE-4
Part code	3951123C10	3957123C20	3954125C80	3958125C50	3956123841
Starting type	CSIR	CSIR	RSIR	CSIR	RSCR
Refrigerant(g)	130				

Refrigerant	R-134a			
Voltage	110V/50, 60Hz	110V/60Hz	115V/60Hz	220~240V/50Hz
Comp. model	HBL23YE-C	HBL23YE-3-C	HBL23YE-3-C	HSL25YE-5-C
Part code	3952123L00	3952123L30	3952123L30	3954125L50
Starting type	CSR	CSR	CSR	CSIR
Refrigerant(g)	120			

## 2. SWITCH RELAY AS

Refrigerant	R-12				
Voltage	110V/60Hz	127V/60Hz	220~240V/50Hz	220V/50Hz	220V/60Hz
Relay model	427THBYY-52	414THBYY-52	276THBYY-52	724RFBYY-52	197SHBYY-52
Part code	3018114660	3018114640	3018114630	3018115300	3018114620
Starting type	CSIR	CSIR	RSIR	CSIR	RSCR

Refrigerant	R-134a			
Voltage	110V/50, 60Hz	110V/60Hz	115V/60Hz	220~240V/50Hz
Relay model	414THBYY-52	427THBYY-52	427THBYY-52	232THBYY-52
Part code	3018114610	30181146	3018114600	3018114650
Starting type	CSR	CSR	CSR	CSIR

## 3. STARTING CAPACITOR

Refrigerant	R-12				
Voltage	110V/60Hz	127V/60Hz	220~240V/50Hz	220V/50Hz	220V/60Hz
Spec.	140V/100 $\mu$ F	140V/100 $\mu$ F	X	350V/25 $\mu$ F	X
Part code	3016400400	3016400400	X	400EL16110	X

Refrigerant	R-134a			
Voltage	110V/50, 60Hz	110V/60Hz	115V/60Hz	220~240V/50Hz
Spec.	414THBYY-52	427THBYY-52	427THBYY-52	232THBYY-52
Part code	3018114610	30181146	3018114600	3018114650

### 3. STARTING CAPACITOR

Refrigerant	R-12				
Voltage	110V/60Hz	127V/60Hz	220~240V/50Hz	220V/50Hz	220V/60Hz
Spec.	X	X	X		350V/5 $\mu$ F
Part code	X	X	X	X	400EL15111

Refrigerant	R-134a			
Voltage	110V/50, 60Hz	110V/60Hz	115V/60Hz	220~240V/50Hz
Spec.	230V/10 $\mu$ F	300V/7 $\mu$ F	300V/7 $\mu$ F	X
Part code	400EL15130	3816800400	3816800400	X

### 5. FAN MOTOR

Refrigerant	R-12, R-134a						
Voltage	100V/50, 60Hz	110V/60Hz	115V/60Hz	127V/60Hz	220V/50Hz	220V/60Hz	220~240V/50Hz
Spec.	100V/50, 60Hz	110V/60Hz			220V/50Hz	220V/60Hz	240V/50Hz
Part code	MOTOR F AS 3015900540	3015900500			3015900520	3015900530	3015900510
code	MOTOR AS						

### 6. HEATER D AS

Refrigerant	R-12, R-134a					
Voltage	100V/50, 60Hz	110V/60Hz	115, 120V/60Hz	127V/60Hz	220V/50, 60Hz	220~240V/50Hz
Spec.	110V/148W				220V/148W	
Part code	3012804300				3012804200	

### 7. LAMP AS

Refrigerant	R-12, R-134a					
Voltage	100V/50, 60Hz	110V/60Hz	115, 120V/60Hz	127V/60Hz	220V/50, 60Hz	220~240V/50Hz
Spec.	120V/15W				240V/148W	
Part code	3013600050				3013600020	

### 8. DEFROST TIMER

Refrigerant	R-12, R-134a					
Voltage	100V/50, 60Hz	110V/60Hz	115, 120V/60Hz	127V/60Hz	220V/50, 60Hz	220~240V/50Hz
Spec.	100~127V/60Hz				220~240V/50, 60Hz	
Part code	3018101200				3018100310	

## 9. DRYER

Refrigerant	R-12	R-134a
Spec.	10g	15g
Part code	3016800103	3016801100

## 10. ASSY F DOOR

Refrigerant	R-12		R-134a	
	ASSY F DOOR	DOOR F PRE AS	ASSY F DOOR	DOOR F PRE AS
Bright PCM Door	PFDT1CG250	PFDT1PG110	PFDT1CG255	PFDT1PG115
Laminate PCM Door	PFDT1CG230	PFDT1PG070	PFDT1CG235	PFDT1PG075

# 10-1. PART LIST

No.	PART CODE	PART NAME	DESCRIPTION	Q'TY	REMARK
1	PFCCUG080	ASSY CAB URT	PRE+URT	1	R-11
	PFCCUG085				R-141B
1-1	3017001700	EVAPORATOR SAS		1	
1-2	3018111800	SWITCH BI-METAL AS		1	
1-3	3017200600	FUSE TEMP AS		1	250V/10A, 77°C
1-4	4017Z90590	FIXTURE FUSE TEMP		1	
1-5	4017Z73570	COVER DEFR HTR *T	AI T0.4	1	
1-6	-	HEATER D AS		1	
1-7	4017Z73580	COVER DEFR HTR *U	AI T0.4	1	
1-8	3012906700	HINGE *U AS	P/D T3.2	1	
1-9	7650602011	BOLT HEX	M6 X 20	2	
2	3010313500	BASE COMP AS		1	
2-1	3010302800	BASE COMP SAS	SBHG-1	1	
2-2	3010100201	ABSORBER COMP	NR-A	4	
2-3	-	COMPRESSOR		1	
2-4	4019H09030	SPECIAL WASHER	SPG T1.0	4	
2-5	-	SWITCH RELAY AS		1	
2-6	3816100100	BAND RELAY	SK-5, T0.7	1	
3	-	MOTOR F AS		1	
3-1	4017Z32244	COVER FAN MOTOR(B)	HIPS	1	
3-2	4017Z08430	ABSORBER MOTOR	EPR-B3	2	
3-3	-	MOTOR AS		1	
3-4	4017Z32233	COVER FAN MOTOR(C)	HIPS	1	
3-5	4019H32230	COVER FAN MOTOR(A)	HIPS	1	
3-6	4019H10310	FAN	ABS	1	
3-7	4019H100600	RING FIX FAN	STS 27	1	
4	3018906100	LOUVER AS			
4-1	3013327800	INSU F LUVR AS	F-PS	1	
4-2	3013401000	KNOB F LUVR	PP	1	
4-3	3018905700	LOUVER F	PP	1	
5	3016908700	DUCT R MULT AS		1	
5-1	3016907900	DUCT R MULTI	PP	1	
5-2	3018301300	THERMOSTAT	PFN-175D-01	1	
			BU-274		
5-3	7121400811	SCREW TAPPING	T2S PAN 4 X 8	2	
5-4	3017903200	SOCKET R LAMP AS		1	
5-5	3013327900	INSU R MULT DUCT AS	F-PS	1	
5-6	4008Z14310	KNOB C/S	ABS	1	
6	-	ASSY F DOOR		1	
6-1	PFDT1UG070	DOOR F URT AS	PRE+URT	1	R-11
	PFDT1UG075				R-141B
6-1-1	3015200900	STOPPER *M HI	POM	1	

No.	PART CODE	PART NAME	DESCRIPTION	Q'TY	REMARK
6-1-2	7112401611	SCREW TAPPING	T1 TRS 4X16 MFZN	2	
6-1-3	4010Y36211	BUSHING R HNDL	PP	1	
6-2	3012306900	GASKET F DR AS	PVC+MAGNET	1	
6-3	3019009400	POCKET F *T	PS	1	
6-4	3019009600	POCKET F *U	PS	1	
7	-	ASSY R DOOR		1	
7-1	PFDU2UG060	DOOR R URT AS	PRE+URT	1	R-11
	PFDU2UG065				R-141B
7-1-1	4010Y36211	BUSHING R HNDL	PP	1	
7-1-2	4010G38023	BUSHING R DR	PA-66	1	
7-1-3	4010G38034	STOPPER R DR	SGCC T3.0	1	
7-1-4	7122401611	SCREW TAPPING	T2 TRS 4X16	2	
7-2	3012307000	GASKET R DR AS	PVC+MAGNET	1	
7-3	3011115600	CASE EGG	PS	1	
7-4	3019009400	POCKET F *T	PS	1	
7-5	3019009400	POCKET F *T	PS	1	
7-6	3019009300	POCKET BOTTLE	PS	1	
7-7	3019009600	POCKET F *U	PS	1	
8	3012101300	FOOT ADJ AS	PP	2	
9	3012906300	HINGE *M AS	T3.2	1	
10	3016004000	SPECIAL BOLT	M6XL10	2	
11	3011721300	DOOR SWITCH AS		1	
12	3012906500	HINGE *T AS	P/O T2.3	1	
13	3016000301	SPECIAL SCREW	M5XL14	3	
14	3011430100	COVER *T HI	PP	1	
15	7650602011	BOLT HEX	M6XL20	1	
16	4017Z99112	CASE ICE	HC-2	1	
17	3011100300	CASE ICING	PP	1	
18	4010C55112	SHELF F	PS	1	
19	4010E30312	CASE CHILLED	PS	1	
20	3011721500	DOOR C/C	PS	1	
21	4010C55211	SHELF R	PS	2	
22	3011424800	COVER VEGETB CASE	PS	1	
23	3011115500	CASE VEGETB	PS	1	
24	-	LAMP AS		1	
25	3015503600	WINDOW R	HC-2	1	
26	30111161200	CASE VAPORI	PP	1	
27	3012400800	GRILLE	PP	1	
28	7112401211	SCREW TAPPING	T1 TRS 4X12	5	
29	3011303300	CORD POWER AS (KP-211)	110V/50/60Hz	1	
	3011301700	CORD POWER AS (KP-30)	115V/60Hz	1	
	3011303500	CORD POWER AS (CP-2PIN)	220V/50Hz	1	
	3011303800	CORD POWER AS (CP-2PIN)	220V/60Hz	1	

# 11. EXPLODED VIEW

