

DAEWOO

DESPIECE

Refrigerator

MODEL : FN-15A2

✓ **Caution :**

In this Manual, some parts can be changed for improving, their performance without notice in the parts list. So, if you need the latest parts information, please refer to PPL(Parts Price List) in Service Information Center (<http://svc.dwe.co.kr>).

DAEWOO ELECTRONICS Corp.

<http://svc.dwe.co.kr>

Mar. 2004

Service manual

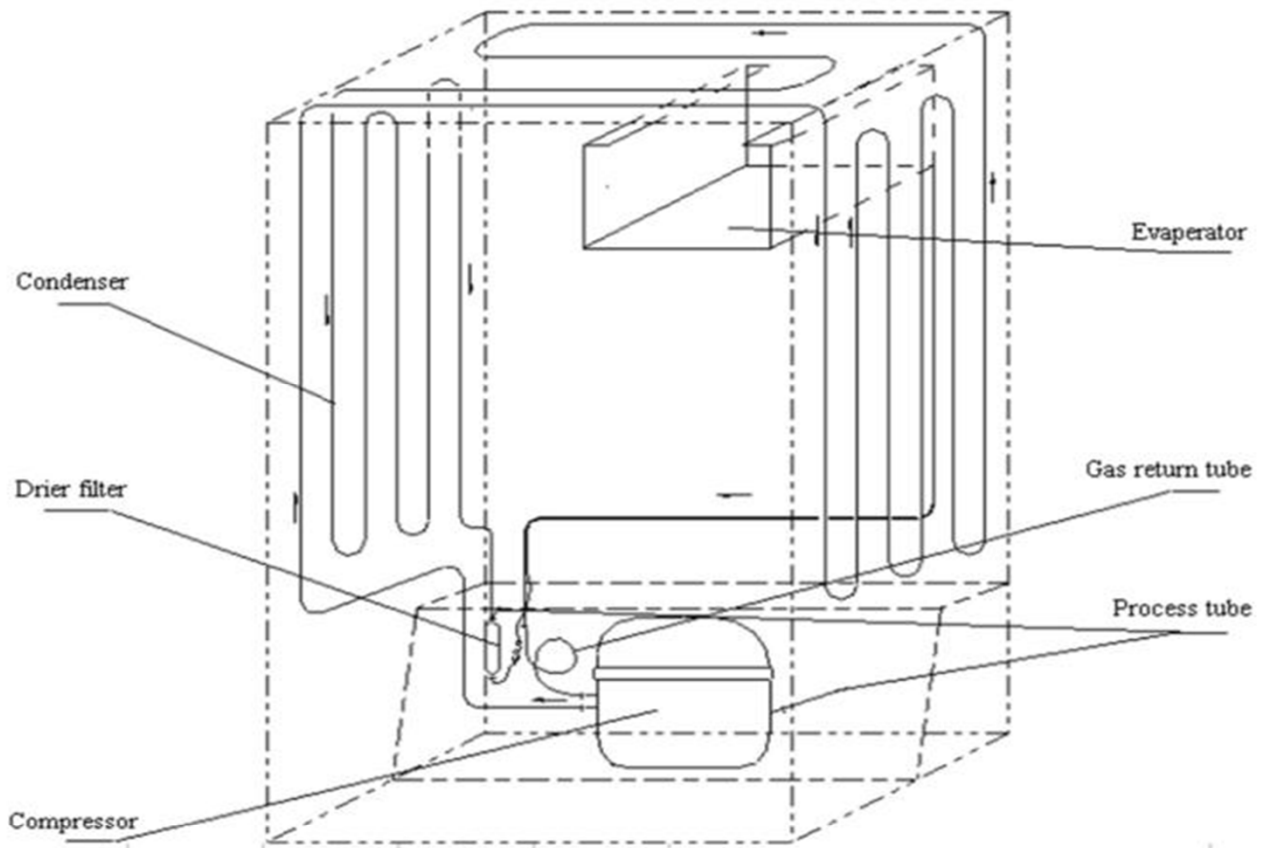
50CM TT Fridge

Model:DF1-15.2

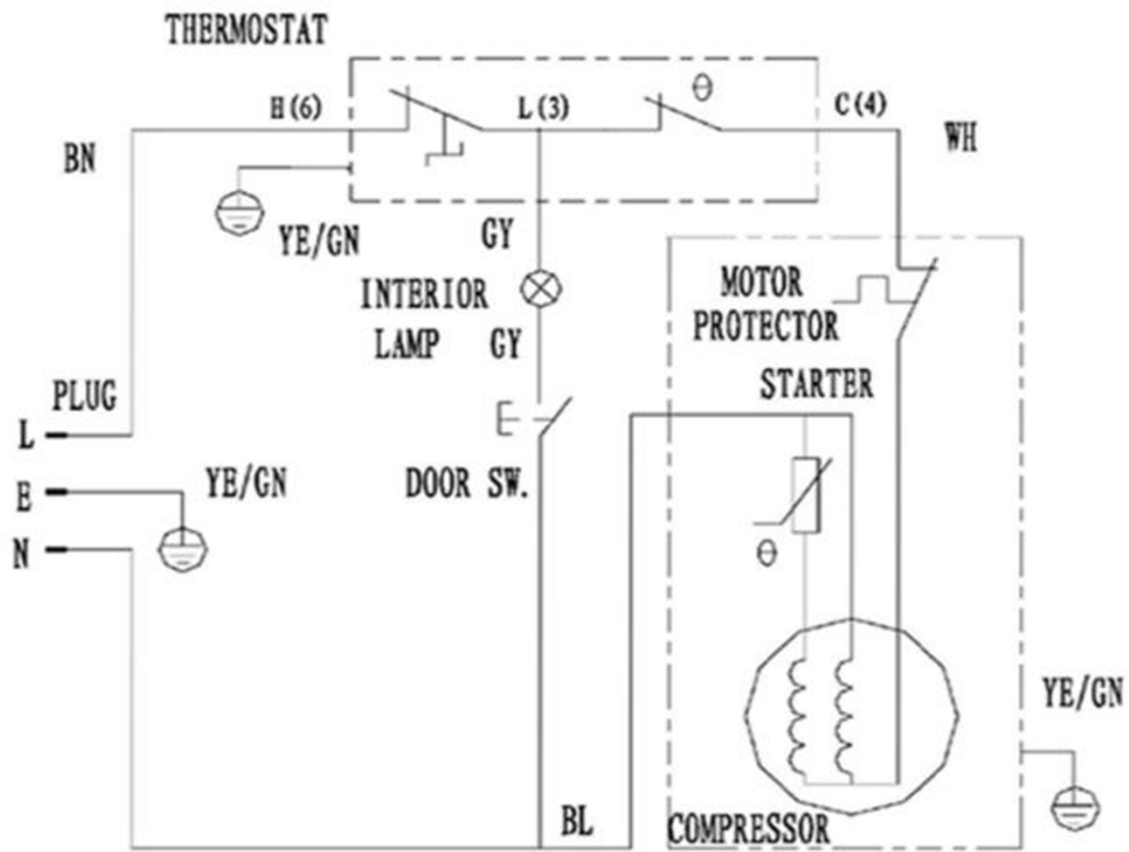
Contents

- 1 Cover
- 2 The cooling system
- 3 The electrical diagram
- 4 Trouble shooting guide
- 5 Exploded view
- 6 Parts list

The cooling system



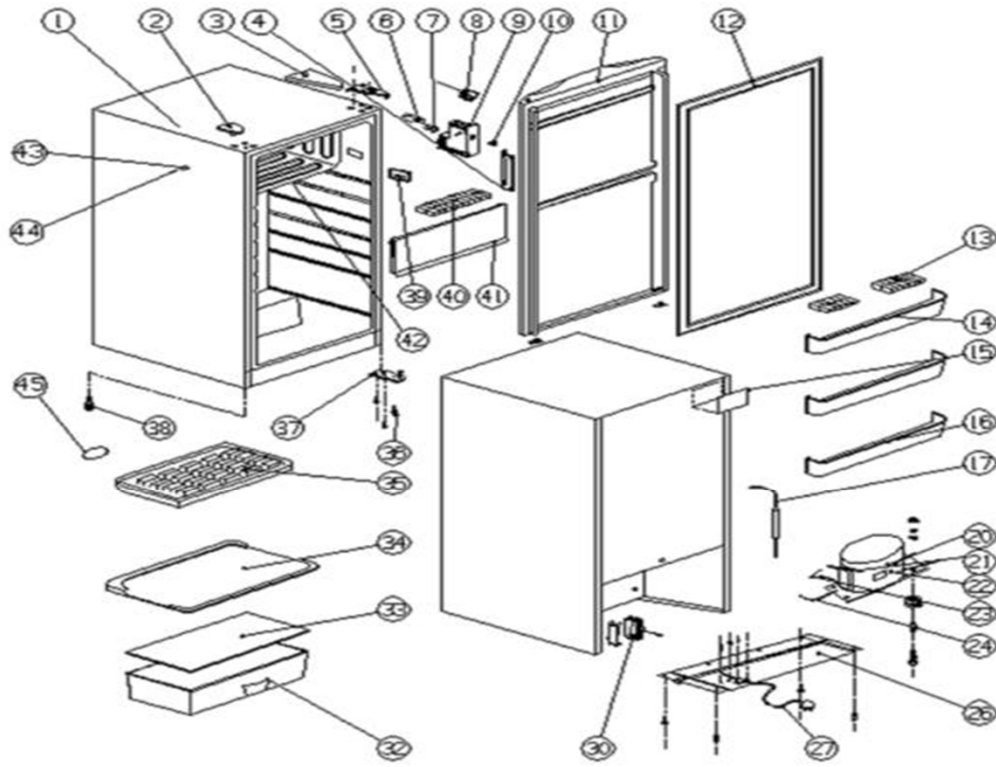
The electrical diagram



Trouble shooting guide

No	Problem	Possible Cause	What To Do
1	The refrigerator does not get cold at all.	Not plugged in.	Plug in
		Is the circuit breaker tripped or blown fuse?	Put on the home circuit breaker or change the new fuse.
		Is the refrigerator temperature control setted at "off"?	Set the temperature control knob at "4".
2	The refrigerator does not get cold enough.	Is the refrigerator control dialed set to correct location?	Set it to a colder temperature.
		Is the refrigerator placed in direct sunlight or closely a heat source?	Move the refrigerator to proper location.
		Is the door closed completely?	Close the door completely.
		Is the door opened too frequently or too long?	Open the door less often,
		Does the door gasket seal properly?	Make the gasket sealing properly.
3	The food in the refrigerator is frozen	Is the refrigerator control dialed set to correct location?	Set it to a warmer temperature.
		Is the ambient temperature too low?	
4	Two sides of the cabinet are hot: condensation occurs.	Hot-pipe is installed in two sides of refrigerator. That makes refrigerator's temperture lowquckly and save the power consumption	Normal state.
		Condensation can occur when you leave the door open for a long time.	Normal state.
5	Vibrations	The refrigerator is not level and firm.	Place the refrigerator in a level location.
6	The refrigerator is noisy.	Water bubbling comes from the refrigerant circulating of the refrigerator.	Normal state.
		Contraction and expansion of the insulation inside the walls may cause popping and cracking.	Normal state.
		Is the refrigerator unstable or touching the wall?	Keep the refrigerator leaving the wall.
		Is the refrigerator not level?	Adjust the refrigerator leveling.
7	The door can not close properly.	Were the doors not properly installed?	Assure the doors installed properly.
		Is the door gasket dirty and distortion?	Cleaning and flatting the door gasket.
8	The lamp does not work.	Has the home circuit breaker or fuse tripped?	Put on the home circuit breaker or change the new fuse.
		Is the refrigerator's door close completely?	Assure the door close completely.
9	Operating for all long time.	Is the ambient temperature too high?	
		Is the temperature controller in freezer chamber or in refrigerator chamber is set at "strong" position	Sets it at a right position.
		Too much food is loaded into the refrigerator and insufficient spaces for airflow.	Load less food into the refrigerator.
10	Operating for all long time.	The door were not closed completely or the gasket not sealing enough.	Close the doors completely or make the gasket sealing enough.
		Open the door too frequently.	Decrease the open-door times.

Exploded view



DF1-15.2 Parts list

No.	Old code date	Old code	Parts code	Description of Spare Part
			2011-02-09	PCM white,A
01				Box body
02			20010187	Hinge Screw Hole Cover
03			20010186	Door hinge cover
05			20020062	Upper door hinge assembly
06			20050046	Lamp Bulb (E14,220V)
07			20050031	Lamp holder (E14)
08	2011-02-09	20060135	20060632	Thermostat
09			20012742	Thermostat cover
10			20011632	Thermostat Knob
11				Door
12			20010188	Door Gasket
13			20010160	Egg rack1
14A			20012692	Door upper rack (transparent gray)
14B			20012690	Upper rack (emerald green)
14C			20011982	Door upper rack (milk white)
14D			20012734	Upper rack (ice blue)
14E			20010195	Door upper bar
15				Rating plate
16A			20012693	Door lower rack (transparent gray)
16B			20012691	Lower Rack (emerald green)
16C			20011983	Door lower rack (milk white)
16D			20012735	Lower Rack (ice blue)
16E			20020069	Door lower bar
17			20060086	Drier filter (for R600a)
20A			20060046	Connecting tube (short)
20B			20060020	Connecting tube (long)
21			20060010	Process tube
22				Compressor
23			20050009	Connecting wire of compressor
24			20050008	Earthing wire of compressor
26			20021053	Compressor support base
27				Power apply cord with plug
30			10202249	Wire box
32A			20010960	Crisper Drawer (transparent gray)
32B			20011137	Crisper Drawer (emerald green)
32C			20013148	Crisper drawer (ice blue)
33			10200205	Crisper cover
34A			10201455	Shelf of refrigerator chamber (glass)
34B			10200121	Shelf of refrigerator chamber
35	2010-03-10	20011609	20012268	Drain Pan
36			20010111	Short adjustable foot
37			20021371	Lower door hinge assembly
38			20010123	Long adjustable foot
39			20050016	Door switch
40			20010030	Ice Cube Tray
41A			20012343	Ice Box Door (transparent gray)
41B			20012408	Ice Box Door (emerald green)
41C			20012267	Ice Box Door (milk white)
41D				Ice Box Door (ice blue)
42A			20060556	Evaporator (aluminum plate)
42B			20060559	Evaporator (wire and tube)
43			20010493	Cover of temperature sensor capillary
44			20010494	Jacket of temperature sensor capillary
45				Trade mark