

MANUAL DE SERVICIO

MODELO: FD-15

Contents

- 1 Cover
- 2 The cooling system
- 3 The electrical diagram
- 4 Trouble shooting guide
- 5 Exploded view
- 6 Parts list

CIRCUITO FRIGORIFICO

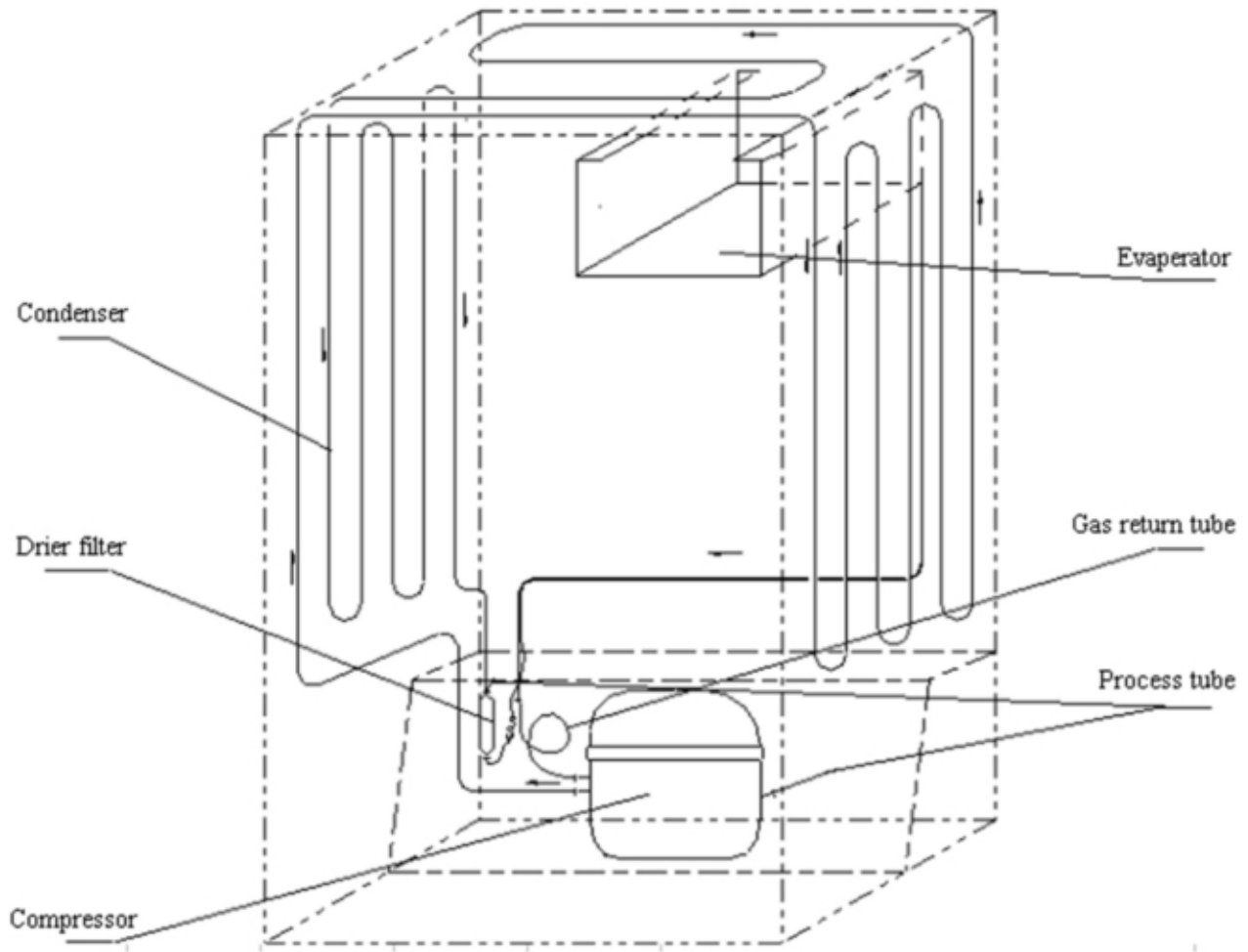
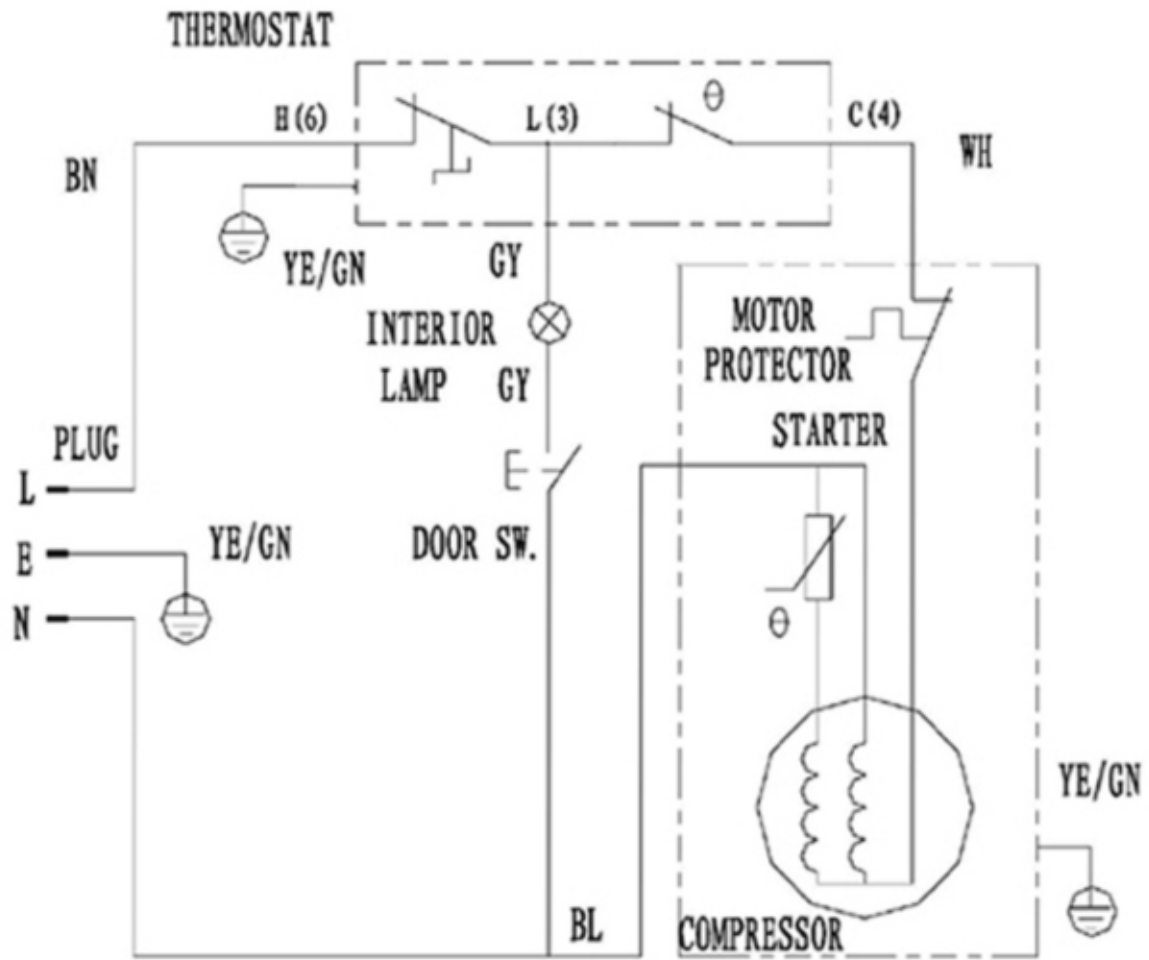


DIAGRAMA ELECTRICO

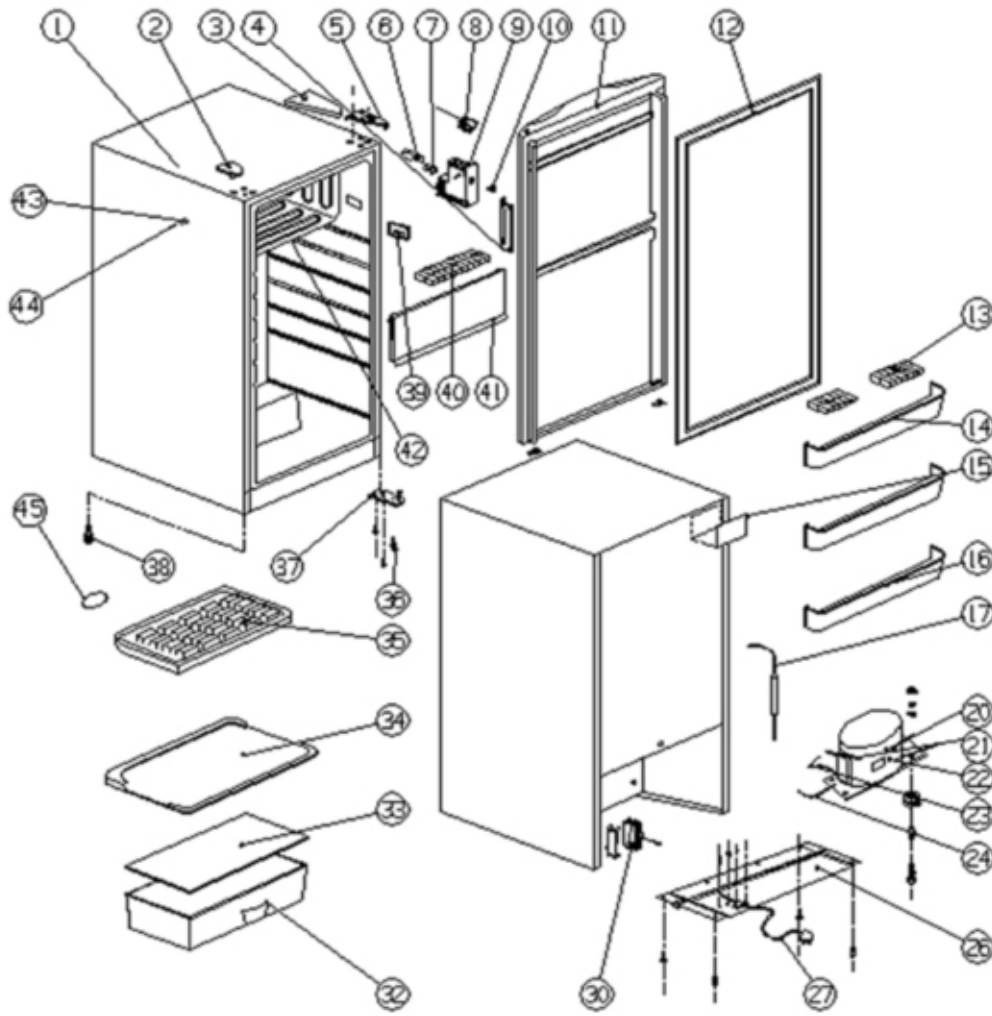


GUIA DE PROBLEMAS

No	Problem	Possible Cause	What To Do
1	The refrigerator does not get cold at all.	Not plugged in.	Plug in
		Is the circuit breaker tripped or blown fuse?	Put on the home circuit breaker or change the new fuse.
		Is the refrigerator temperature control setted at "off"?	Set the temperature control knob at "4".
2	The refrigerator does not get cold enough.	Is the refrigerator control dialed set to correct location?	Set it to a colder temperature.
		Is the refrigerator placed in direct sunlight or closely a heat source?	Move the refrigerator to proper location.
		Is the door closed completely?	Close the door completely.
		Is the door opened too frequently or too long?	Open the door less often,
		Does the door gasket seal properly?	Make the gasket sealing properly.
		Is the refrigerator overloaded?	Load less food into it.
3	The food in the refrigerator is frozen	Is the refrigerator control dialed set to correct location?	Set it to a warmer temperature.
		Is the ambient temperature too low?	
4	Two sides of the cabinet are hot: condensation occurs.	Hot-pipe is installed in two sides of refrigerator. That makes refrigerator's temperture lowquckly and save the power consumption	Normal state.
		Condensation can occur when you leave the door open for a long time.	Normal state.
5	Vibrations	The refrigerator is not level and firm.	Place the refrigerator in a level location.
6	The refrigerator is noisy.	Water bubbling comes from the refrigerant circulating of the refrigerator.	Normal state.
		Contraction and expansion of the insulation inside the walls may cause popping and cracking.	Normal state.
		Is the refrigerator unstable or touching the wall?	Keep the refrigerator leaving the wall.
		Is the refrigerator not level?	Adjust the refrigerator leveling.
7	The door can not close properly.	Were the doors not properly installed?	Assure the doors installed propertly.
		Is the door gasket dirty and distortion?	Cleaning and flatting the door gasket.
8	The lamp does not work.	Has the home circuit breaker or fuse tripped?	Put on the home circuit breaker or change the new fuse.
		Is the refrigerator's door close completely?	Assure the door close completely.
9	Operating for all long time.	Is the ambient temperature too high?	
		Is the temperature controller in freezer chamber or in refrigerator chamber is set at "strong" position	Sets it at a right position.
		Too much food is loaded into the refrigerator and insufficient spaces for airflow.	Load less food into the refrigerator.

10	Operating for all long time.	The door were not closed completely or the gasket not sealing enough.	Close the doors completely or make the gasket sealing enough.
		Open the door too frequently.	Decrease the open-door times.

Exploded view



DF1-15.2 Parts list

No.	Spare Part No.	Description of Spare Part	Quantity	Unit Price	Amount	Chinese Name
	DF1-15.2	PCM white	(UNIT)	(USD)	(USD)	
					EXW	
01		Box body				箱体 (BEKO白A02)
02	20010187	Hinge Screw Hole Cover				门铰固定螺钉孔盖
03	20010186	Door hinge cover				门铰盖
05	20020062	Upper door hinge assembly				上门铰
06	20050046	Lamp Bulb (E14,220V)				灯泡 (E14, 220V)
07	20050031	Lamp holder (E14)				灯座 (E14)
08	20060135	Thermostat				温控器
09	NO DISPONIBLE	Thermostat cover				温控器罩
10	20011632	Thermostat Knob				温控器旋钮
11		Door				门 (BEKO白A02)
12	20010188	Door Gasket				门封 (BEKO白A02)
13	20010160	Egg rack1				蛋格
14A	NO DISPONIBLE	Door upper rack (transparent gray)				门上搁架 (透明灰)
14B	NO DISPONIBLE	Upper rack (emerald green)				上搁架 (翡翠绿)
14C	NO DISPONIBLE	Door upper rack (milk white)				门上搁架 (乳白色)
14D	20012734	Upper rack (ice blue)				上搁架 (冰清蓝)
14E	NO DISPONIBLE	Door upper bar				门上搁条
15		Rating plate				参数铭牌
16A	NO DISPONIBLE	Door lower rack (transparent gray)				门下搁架 (透明灰)
16B	NO DISPONIBLE	Lower Rack (emerald green)				下搁架 (翡翠绿)
16C	NO DISPONIBLE	Door lower rack (milk white)				门下搁架 (乳白色)
16D	20012735	Lower Rack (ice blue)				下搁架 (冰清蓝)
16E	NO DISPONIBLE	Door lower bar				门下搁条 (铁丝)
17	20060086	Drier filter (for R600a)				干燥过滤器 (R600a)
20A	NO DISPONIBLE	Connecting tube (short)				连接管 (短)
20B	NO DISPONIBLE	Connecting tube (long)				连接管 (长)
21	NO DISPONIBLE	Process tube				封尾管
22		Compressor				压缩机
23	20050009	Connecting wire of compressor				压缩机连接线
24	NO DISPONIBLE	Earthing wire of compressor				压缩机接地线
26	NO DISPONIBLE	Compressor support base				压缩机托板
27		Power upply cord with plug				电源线插头
30	NO DISPONIBLE	Wire box				接线盒
32A	NO DISPONIBLE	Crisper Drawer (transparent gray)				果菜箱 (透明灰)
32B	NO DISPONIBLE	Crisper Drawer (emerald green)				果菜箱 (翡翠绿)
32C	20013148	Crisper drawer (ice blue)				果菜箱 (冰清蓝)
33	10200205	Crisper cover				果菜箱盖
34A	10201455	Shelf of refrigerator chamber (glass)				冷藏室玻璃层架
34B	NO DISPONIBLE	Shelf of refrigerator chamber (wire)				冷藏室金属层架
35	20011609	Drain Pan				接水盘
36	20010111	Short adjustable foot				矮调节脚
37	20021371	Lower door hinge assembly				下门铰组件
38	20010123	Long adjustable foot				高调节脚
39	20050016	Door switch				门灯开关
40	20010030	Ice Cube Tray				制冰格
41A	NO DISPONIBLE	Ice Box Door (transparent gray)				制冰室门盖 (透明灰)
41B	NO DISPONIBLE	Ice Box Door (emerald green)				制冰室门盖 (翡翠绿)
41C	20012267	Ice Box Door (milk white)				制冰室门盖 (乳白)
41D		Ice Box Door (ice biue)				制冰室门盖 (冰清蓝)
42A	NO DISPONIBLE	Evaporator (aluminum plate)				蒸发器 (吹胀式)
42B	NO DISPONIBLE	Evaporator (wire and tube)				蒸发器 (丝管式)
43	NO DISPONIBLE	Cover of temperature sensor capillary				感温头护罩
44	NO DISPONIBLE	Jacket of temperature sensor capillary				感温头护套
45		Trade mark				商标铭牌
		Totally Quantity:				

Total Amount: