

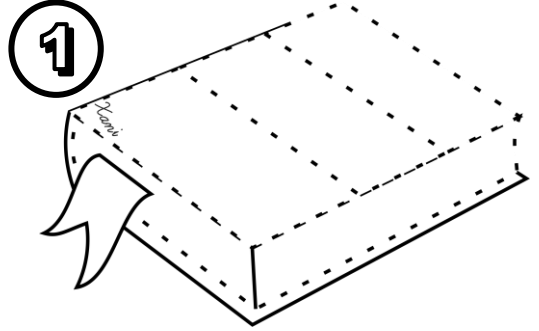
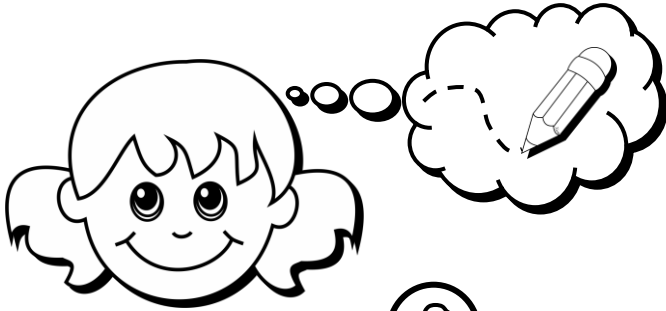
# School Objects

Worksheet number: \_\_\_\_\_

Name: \_\_\_\_\_

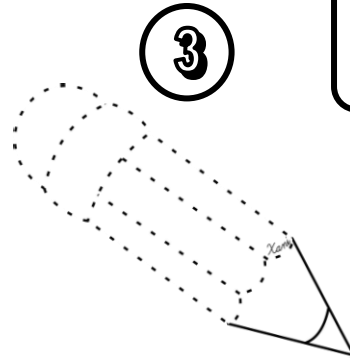
Date: \_\_\_\_\_

Draw, trace and read.

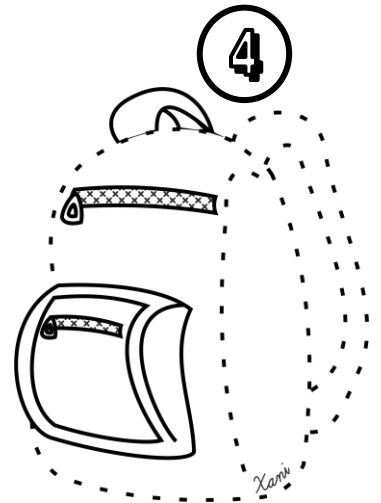


book

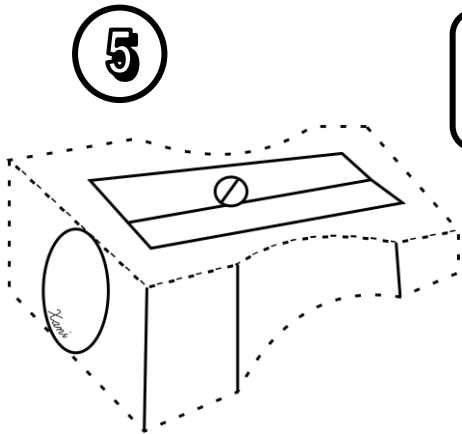
rubber



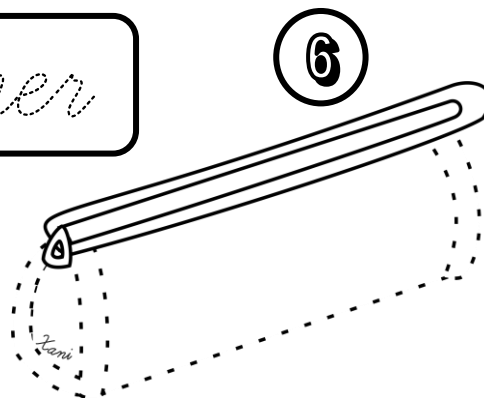
pencil



schoolbag



sharpener



pencil case

