

# FEKA 1400-1800

## SUBMERSIBLE PUMPS



### TECHNICAL DATA

**Operating range:** from 6 to 30 m<sup>3</sup>/h with head up to 14 m for the single-phase version, and 15,5 m for the three-phase version.

**Pumped liquid:** grey waste water, rough loaded water containing solid matter and/or long fibre, non aggressive.

**Free passage:** 38 mm.

**Liquid temperature range:** from 0 °C to +55 °C

**Maximum ambient temperature for operation with motor above water:** +40 °C

**Max. immersion depth:** 7 metres.

**Installation:** fixed or portable, vertical position.

**Protection class:** IP68

**Insulation class:** F

**Standard voltage:** 220-240 V - 50Hz single-phase.  
380-415 V - 50Hz three-phase.

**Power cable:** H07RN-F, 10 metres.

### APPLICATIONS

Cast-iron submersible pump with vortex back flowing impeller for cesspools. Suitable for lifting or decanting sewage water from cesspools, and used water in general, containing solid matter with size up to 38 mm. Also suitable for ground water, rain water, clean water and grey waste water, river or lake water.

### CONSTRUCTION FEATURES OF THE PUMP

Cast-iron pump body, motor casing, suction cover, and impeller. Stainless steel rotor shaft, handle, and bolts and screws. Inspectable oil seal chamber. Carbon/ceramic mechanical seal. GAS threaded 2" radial delivery port, to facilitate the installation of lifting devices (DSD 2).

### CONSTRUCTION FEATURES OF THE MOTOR

Continuous duty, dry asynchronous submersible motor in watertight casing. Rotor running on ball bearings, oversized and permanently lubricated. Thermal protection in the winding, to be connected to the control panel.

In order to operate, the pumps must be equipped with control and protection systems, supplied separately

and not connected to the electric pumps. The single-phase version must be equipped with an ED control panel and built-in capacitor.

Supplied with 10 metre neoprene rubber power input cable 6x(4x1,5)+(2x0,5).

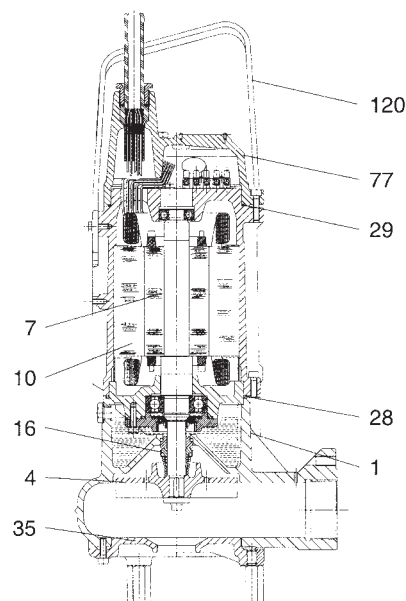
Number of poles: 2

Max starts/hour: 20

### MATERIALS

N.	PARTS*	MATERIALS
1	PUMP BODY	CAST IRON 200 UNI ISO 185
4	IMPELLER	CAST IRON 200 UNI ISO 185
7	MOTOR SHAFT	AISI 416 STAINLESS STEEL X12CrS13 - UNI 6900/71
10	MOTOR CASING	CAST IRON 200 UNI ISO 185
16	MECHANICAL SEAL	CARBON / CERAMIC
28	OR RING	VITON
29	OR RING	VITON
35	SUCTION COVER	CAST IRON 200 UNI ISO 185
42	SUCTION STRAINER	CAST IRON 200 UNI ISO 185
77	PROTECTION COVER	CAST IRON 200 UNI ISO 185
120	HANDLE	AISI 304 STAINLESS STEEL X5CrNi 1810 - UNI 6900/71

\* In contact with the liquid



# FEKA RANGE

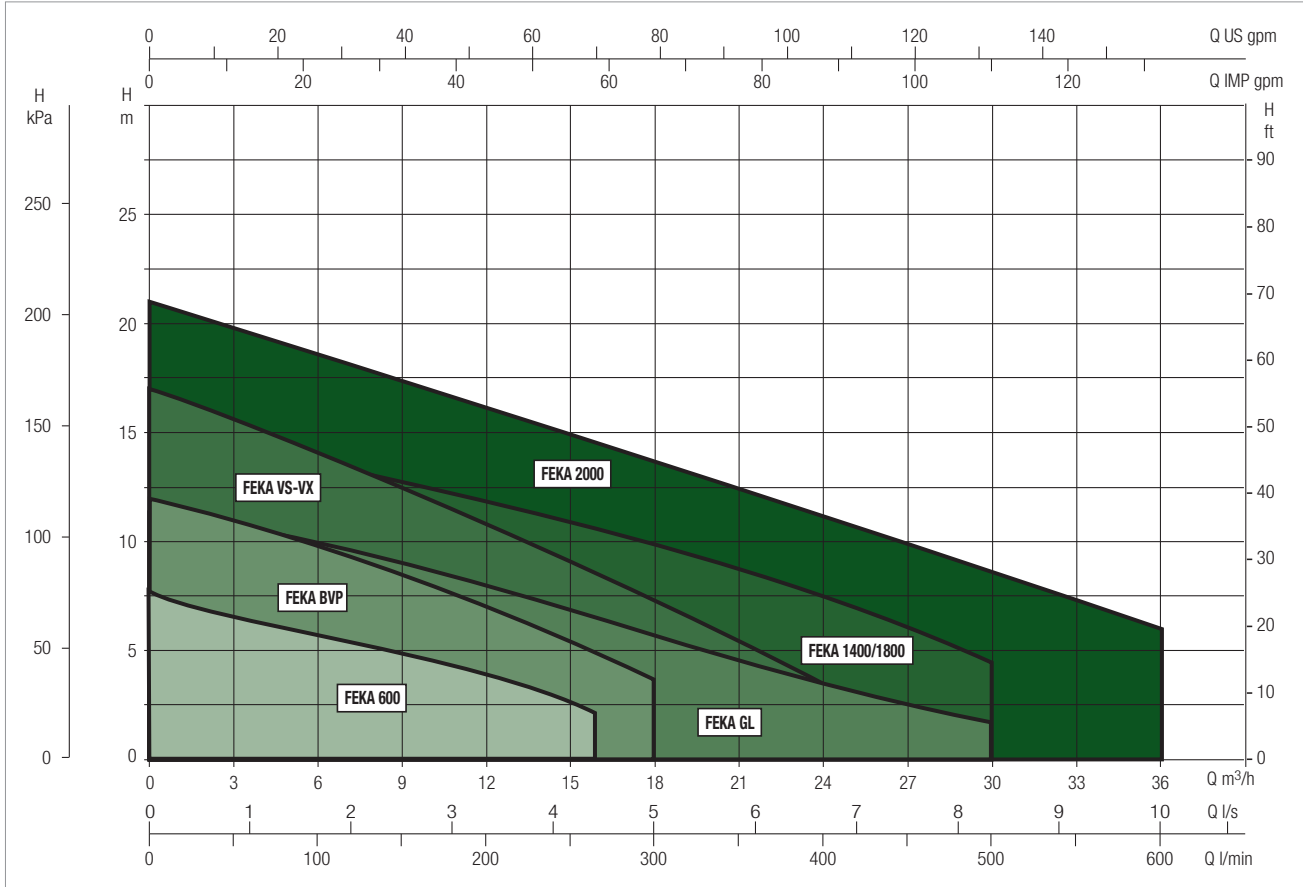
## SUBMERSIBLE PUMPS

SUBMERSIBLE PUMPS

### PERFORMANCE RANGE

The performance curves are based on kinematic viscosity values = 1 mm<sup>2</sup>/s and density equal to 1000 kg/m<sup>3</sup>. Curve tolerance according to ISO 9906.

### GRAPHIC SELECTION TABLE

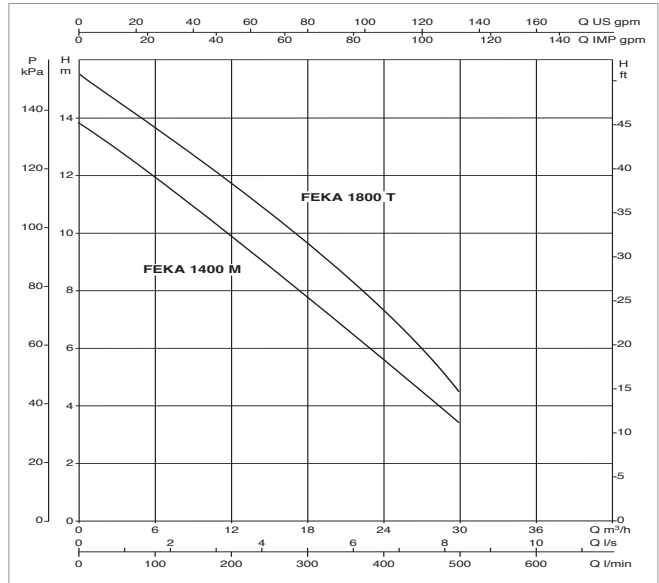
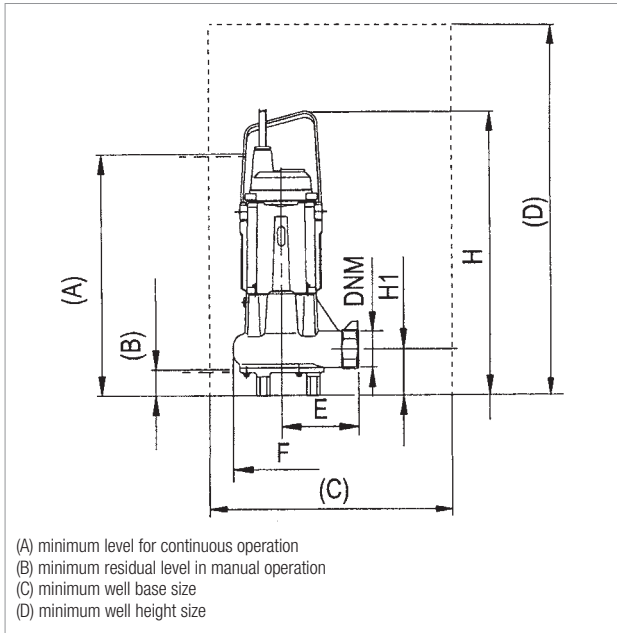


### SELECTION TABLE - FEKA 1400-1800

MODEL	Q= m <sup>3</sup> /h	0	3	6	9	12	15	18	24	30	36
	Q=l/min	0	50	100	150	200	250	300	400	500	600
<b>FEKA 1400 M</b>	H	13.9	13	12	11	9.9	8.9	7.8	5.7	3.4	
<b>FEKA 1800 T</b>	(m)	15.5	14	13.7	12.8	11.8	10.7	9.7	7.3	4.5	

# FEKA 1400 - 1800 - SUBMERSIBLE PUMPS FOR LIFTING WASTE WATER

Liquid temperature range: from 0 °C to +55 °C



The performance curves are based on kinematic viscosity values = 1 mm<sup>2</sup>/s and density equal to 1000 kg/m<sup>3</sup>. Curve tolerance according to ISO 9906.

MODEL	ELECTRICAL DATA						
	POWER INPUT 50 Hz	P1 MAX kW	P2 NOMINAL		I <sub>n</sub> A	CAPACITOR	
			kW	HP		µF	Vc
FEKA 1400 M	1 x 220V -240V ~	1.8	1.1	1.5	8.5	40	450
FEKA 1800 T	3 x 400V ~	1.9	1.5	2	3.7	-	-

MODEL	A	B	C	D	E	F Ø	DNM	H	H1	PACKING DIMENSIONS			VOLUME (m <sup>3</sup> )	WEIGHT kg
										L/A	L/B	H		
FEKA 1400	500	50	500 X 500 min	600 min	160	200	2" G	583	94	680	330	446	0.1	41.2
FEKA 1800	500	50	500 X 500 min	600 min	160	200	2" G	583	94	680	330	446	0.1	42.4