

FEKA 2500 /2700

SEWAGE PUMPS



VORTEX IMPELLER



Cast iron submersible pumps with vortex impeller for sewage, suitable for foul and waste water with solid contents with **62 mm** as maximum diameter. Motor body, hydraulic section and any impeller in cast iron EN GJL 200. Single mechanical seals pump side in silicon carbide/silicon carbide in oil chamber. Dry type asynchronous sealed motor. Rotor mounted on ball bearings to ensure silent running and long life. On request: oil chamber with water level detector kit. The single-phase version can be equipped with float switch for automatic starting and stopping of the pump. For single phase version, capacitor and overcurrent protection are set in external control box supplied with Schuko plug. For three phase versions, thermal and overcurrent protection are responsibility of the user

SEWAGE AND WASTE WATER

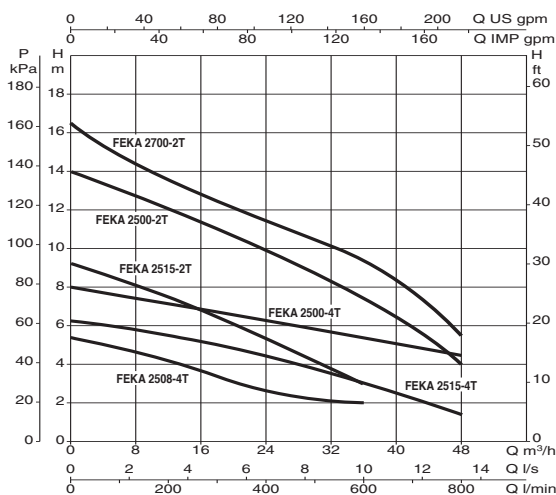
- Motor protection rating:** IP 68
- Insulation class:** F
- Continuous duty with completely immersed pump. Supplied as standard with **10 mt H07RN-F** power cable.
- Operating range:** from 6 to 48 m³/h with head up to 17 mt.
- Liquid quality requirements:** Non-aggressive sewage, drain water
- Liquid temperature range:** From 0° to + 40°.
- Maximum immersion depth:** 20 mt
- Installation:** portable, in vertical position.
- Free passage:** 62 mm.
- Comes with:** UNI 1092 PN 6 compliant flange.
- Lifting device available:** see accessories.

ACCESSORIES PAG 499
PANELS PAG 506

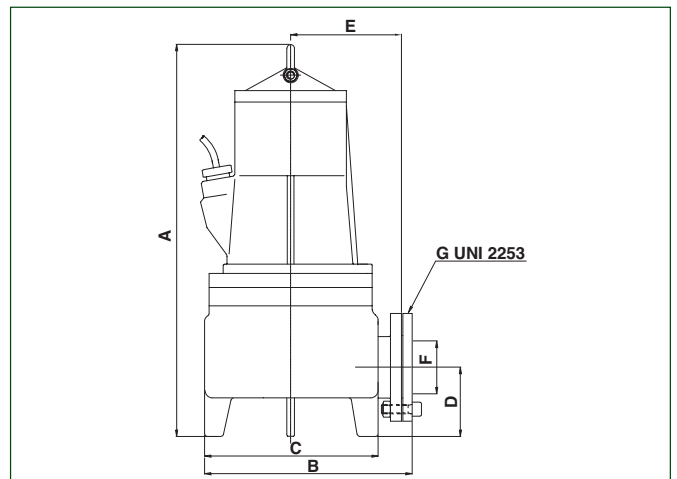
TECHNICAL DATA

| MODEL | CODE | ELECTRICAL DATA | | | | | HYDRAULIC DATA | | | | | | | | | |
|-----------------|-----------|------------------|--------------|------------|-----|---------|---------------------|------|------|------|------|------|------|-----|-----|--|
| | | VOLTAGE 50 HZ | P1 MAX KW | P2 NOMINAL | | In A | Q=m ³ /h | 0 | 3 | 6 | 12 | 18 | 24 | 36 | 48 | |
| | | | | KW | HP | | Q=l/min | 0 | 50 | 100 | 200 | 300 | 400 | 600 | 800 | |
| FEKA 2508.4M-NA | 60141722 | 1X230 V~ | 0,9 | 0,6 | 0,8 | 4,6 | H (m) | 5,4 | 5,1 | 4,8 | 4,1 | 3,4 | 2,6 | 1 | | |
| FEKA 2508.4T | 60141723 | 3X400 V~ | 0,8 | 0,6 | 0,8 | 1,5 | | 5,4 | 5,1 | 4,8 | 4,1 | 3,4 | 2,6 | 1 | | |
| FEKA 2515.4T | 60141724 | 3X400 V~ | 1,2 | 1,1 | 1,5 | 3,3 | | 6,2 | 6,1 | 5,9 | 5,5 | 5,0 | 4,5 | 3,1 | 1,4 | |
| FEKA 2500.4T | 103018080 | 3X400 V~ | 2,8 | 1,4 | 1,9 | 4,9 | | 8 | 7,8 | 7,6 | 7,2 | 6,7 | 6,3 | 5,4 | 4,4 | |
| FEKA 2515.2T | 60141726 | 3X400 V~ | 1,9 | 1,1 | 1,5 | 3,3 | | 9,3 | 8,8 | 8,4 | 7,6 | 6,5 | 5,3 | 3 | | |
| FEKA 2500.2T | 103018000 | 3X400 V~ | 2,8 | 1,8 | 2,4 | 4,7 | | 14 | 13,5 | 13 | 12 | 11 | 10 | 7,5 | 4 | |
| FEKA 2700.2T | 103018040 | 3X400 V~ | 3 | 2,18 | 2,9 | 5,7 | | 16,5 | 15,5 | 14,8 | 13,6 | 12,5 | 11,4 | 9 | 5,5 | |

FEKA 2500 - 2700



DIMENSIONS AND WEIGHTS



| MODEL | A | B | C | D | E | F | G Ø | FREE PASSAGE mm | Q.TY X PALLET | WEIGHT KG |
|-----------------|-----|-----|-----|----|-----|----|------|-----------------|---------------|-----------|
| FEKA 2508.4M-NA | 515 | 260 | 217 | 90 | 145 | 62 | 2" ½ | 62 | 8 | 40 |
| FEKA 2508.4T | 515 | 260 | 217 | 90 | 145 | 62 | 2" ½ | 62 | 8 | 40 |
| FEKA 2515.4T | 515 | 260 | 217 | 90 | 145 | 62 | 2" ½ | 62 | 8 | 41 |
| FEKA 2500.4T | 515 | 260 | 217 | 90 | 145 | 62 | 2" ½ | 62 | 8 | 45 |
| FEKA 2515.2T | 515 | 260 | 217 | 90 | 145 | 62 | 2" ½ | 62 | 8 | 41 |
| FEKA 2500.2T | 515 | 260 | 217 | 90 | 145 | 62 | 2" ½ | 62 | 8 | 40 |
| FEKA 2700.2T | 515 | 260 | 217 | 90 | 145 | 62 | 2" ½ | 62 | 8 | 47 |

SPECIAL VERSIONS

| MODEL | CODE |
|-----------------------------------|------------|
| VERSION WITH THERMAL PROTECTION | on request |
| VERSION WITH WATER LEVEL DETECTOR | on request |

