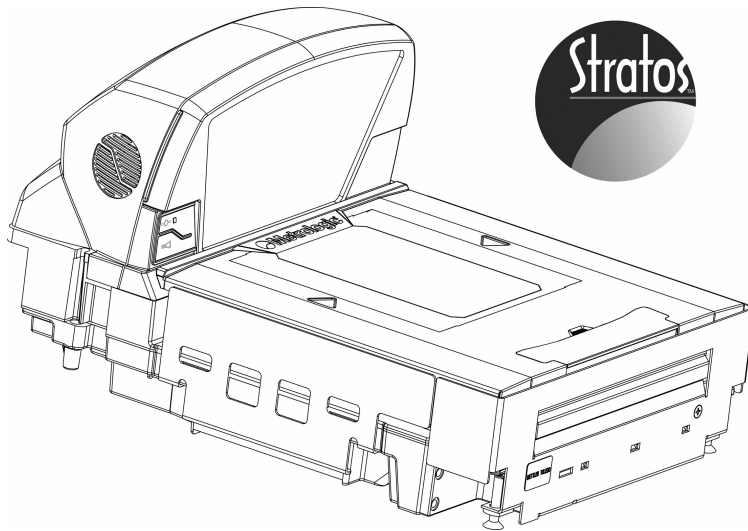


METROLOGIC INSTRUMENTS, INC.
MS2220 Stratos™ Scanner / Diva Scale
Installation and User's Guide



Copyright

© 2006 by Metrologic Instruments, Inc. All rights reserved. No part of this work may be reproduced, transmitted, or stored in any form or by any means without prior written consent, except by reviewer, who may quote brief passages in a review, or provided for in the Copyright Act of 1976.

Trademarks

Metrologic is a registered trademark of Metrologic Instruments, Inc. Products identified in this document are hereby acknowledged as trademarks, registered or otherwise, of Metrologic Instruments, Inc. or their respective companies.

TABLE OF CONTENTS

INTRODUCTION

Manual Scope	1
Product Overview	1
Base Kit Components.....	2
Optional Accessories.....	2
Optional Remote Scale Display.....	3
Dimensions.....	3
Control Panel.....	3
Replacement Parts.....	4
General Precautions.....	5
MS2200 Series Design Specifications.....	6

BASE MODEL CHARACTERISTICS

MS2220 Scanner/Diva Scale	7
Components.....	7
Dimensions	9
Connector Panel.....	9
Caution and Serial Number Labels.....	10

INSTALLATION

Quick Installation Outline.....	11
Site Requirements.....	11
Vertical Clearance	11
Ventilation and Spacing.....	11
Service Access.....	11
Power Installation	12
Checkout Counter Layout Consideration.....	12
Unpacking the Unit.....	13
MS2220 Package Warning.....	14
Installing the Unit in the Counter	14
Lifting the Unit by the Finger Recesses.....	14
MS2220 Mounting Diagram.....	15
Cable Installation (Interface Specific).....	16
RS232	16
Full Speed USB.....	18
IBM OEM.....	19
Serial Emulation Mode	19
Keyboard Emulation Mode	19
IBM 46xx	21
OCIA	23
Cable Installation (Secondary Metrologic Scanner).....	25
EAS Deactivation	27

TABLE OF CONTENTS

SCANNER OPERATION

Scan Zone	28
IR Activation Area (IR LED Output)	30
Indicator Descriptions	31
Audible	31
Visual	31
Failure	32
Diagnostic Indicator Display; Error Codes	33
Power Save Modes	36
Beeper Options and Button Functions	37
Beeper Tone and Volume Control	37
The Multi-Function Button	37
Startup	38
Power-Up Test Mode	38
Configuration Mode	38

SCALE OPERATION

Scale Zeroing	39
Calibration	40
Tools Required	40
Scale Calibration Methods	40
Priming the Scale for Calibration (lbs. & kg)	41
Scale Calibration Procedure (lbs. & kg) with Remote Display	42
Bar Code Calibration Procedure without Remote Display	45
Calibration Verification	49
U.S. Pounds (lbs.)	49
Kilograms (kg)	50
Security Seal Installation	51
Pressure Sensitive Security Seal	51
Wire Security Seal (Conversion Kit 46-00359)	52

MAINTENANCE

Horizontal Scan Window Replacement	53
Vertical Scan Window Replacement	54
Daily Maintenance	54

TROUBLESHOOTING

Troubleshooting Symptom / Solution Chart	55
RS232 Demonstration Program	58

DEFAULT SETTINGS

Communication Parameters	59
--------------------------------	----

TABLE OF CONTENTS

SCANNER AND CABLE TERMINATIONS

Scanner Pinout Connections	66
Cable Connector Configurations	68

REGULATORY COMPLIANCE

Safety	70
EMC	71
Weights & Measures	72

LIMITED WARRANTY	73
-------------------------------	-----------

PATENTS.....	74
---------------------	-----------

INDEX	75
--------------------	-----------

INTRODUCTION

MANUAL SCOPE

This guide provides information on the installation, setup and operation of Metrologic's StratosS, MS2220 scanner/Diva scale unit. It is designed to be used in conjunction with Metrologic's MetroSelect Configuration Guide (MLPN 00-02407.x) and the MS2.x20 Stratos Series Scanner/Diva Scale Configuration Addendum (MLPN 00-02272.x).

Product manuals are also available for download in Adobe® Acrobat® file format at www.metrologic.com/corporate/guides.htm.

PRODUCT OVERVIEW

Metrologic's StratosS series is designed to meet the demanding needs of high volume supermarket and point-of-sale applications. With advanced features like 5-sided, 360° scanning, 5400 scans per second, a complex scan zone and advanced decoding software, this high performance series of in-counter scanner/Diva scale products guarantees fast customer checkouts with minimal operator fatigue and stress. The MS2200 series is equipped with a multitude of standard features including:

- Stratos**SCAN**™ – 5-sided, 360° scanning that minimizes product orientation
- Stratos**SPHERE**™ – Decoding software that reads poor quality and damaged bar codes
- Stratos**SYNC**™ – Horizontal and vertical scanning zones operate independently from one another
- RSS-14 Decoding – Decodes RSS-14, RSS Limited and RSS expanded emerging symbologies
- Flash ROM – Upgrade latest software enhancements on site
- Powered Aux Port – Connect hand-held scanner for large or bulky items
- Integrated Scale – Factory integrated Diva scale
- Loud Speaker – 3 volume/7 tone settings can be heard in all environments
- Easy Configuration – Windows® based utility or simple bar code setup
- Fully Automatic – “No touch” infrared wake up from power save modes
- EAS Deactivation – Electronic Article Surveillance (EAS) equipped (EAS cable is an optional purchase)
- Field Replaceable Vertical Window – Quickly remove vertical window for cleaning or replacement
- Stratos**SCOPE**™ – Visual diagnostic indicator for easy to read feedback on scanner condition
- Stratos**SWAP**™ – Modular optics engine technology – small, pre-aligned, field replaceable modules
- Stratos**SCHOOL**™ – Operator training software

INTRODUCTION

BASE KIT COMPONENTS

BASE KIT COMPONENTS			
Part #	Description		
MS2220-105Kz	StratosS™ Scanner/Diva Scale		
	z	D	Diamonex Horizontal Window
		S	Sapphire Horizontal Window
00-02407x	MetroSelect® Configuration Guide		
00-02272x	MS2x20 Stratos Series Scanner/Diva Scale Configuration Addendum		
00-02274x	MS2220 StratosS™ Scanner/Diva Scale Installation and User's Guide		



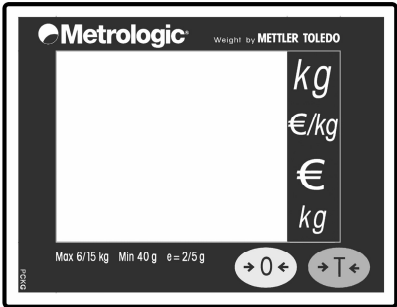
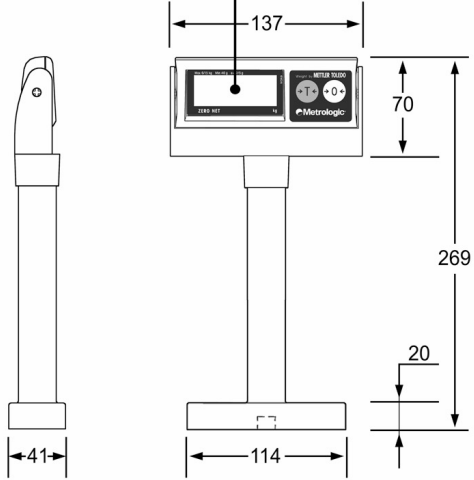
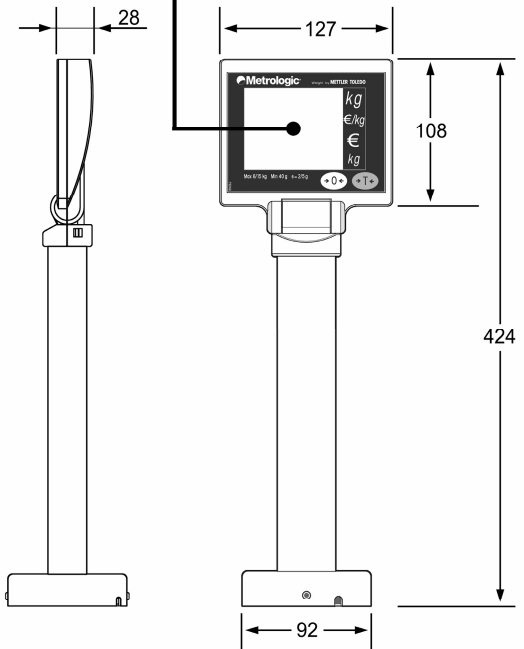
Guides also available for download at www.metrologic.com.

Other items may be ordered for the specific protocol being used. To order additional items, contact the dealer, distributor or call Metrologic's Customer Service Department at 1-800-ID-METRO or 1-800-436-3876.

OPTIONAL ACCESSORIES

OPTIONAL ACCESSORIES	
Part #	Description
57-57210x-N-3	RS232 Interface Cable, Straight, 3.7 m (12') Cord with Short Strain Relief
57-57212x-N-3	IBM 46xx Port 9 Cable, Straight 3.7 m (12') Cord
57-57016x-N-3	OCIA Interface Cable, Straight, 3.7 m (12') Cord with Short Strain Relief
57-57201x-N-3	USB Full Speed Communication Cable, Straight 4.0 m (13') Cord, Type A (Non-Locking) Connector
57-57227x-N-3	USB Full Speed Communication Cable, Straight 4.0 m (13') Cord, Locking 12V Plus-Power™ Type A
57-57000x-N-3	Dual Interface Cable, Straight, 3.7 m (12') Cord with Short Strain Relief
57-57008x-N-3	Aux Program Cable, Straight 2.3 m (7.5') Cord with Short Strain Relief
57-57099x-3	LSO RS232 PowerLink AUX Cable w/ power jack Straight, 2.1 m (7') Cord with Short Strain Relief
52-52511x	24" EAS cable


INTRODUCTION

OPTIONAL ACCESSORIES	
AC to DC Power Transformer - Regulated Output: +5.2V @ 2A +12V @ 1A	
Part #	Description
46-00226	120V United States and Canada
46-00227	220V – 240V Continental European
46-00228	220V – 240V United Kingdom
46-00229	220V – 240V China
46-00230	220V – 240V Australia
Optional Remote Scale Display	
46-00375	Remote Single Line Scale Display (lb.) (See Figure 1)
46-00376	Remote Single Line Scale Display (kg.) (See Figure 1)
46-00377	Remote Four Line Scale Display (kg.) (See Figure 2)
<p><i>Other Four Line Scale Display currency lens overlay stickers are available. To order additional items or replacement parts, contact the dealer, distributor or call Metrologic's Customer Service Department at 1-800-ID-METRO or 1-800-436-3876.</i></p>	
<div style="display: flex; justify-content: space-between;"> <div style="width: 45%;"> <p>Remote Single Line Display Pounds</p>  <p>Remote Single Line Display Kilograms</p>  </div> <div style="width: 45%;"> <p>Remote Four Line Scale Display (Kilograms)</p>  </div> </div> <div style="display: flex; justify-content: space-around;"> <div style="width: 45%;">  <p style="text-align: center;">Figure 1</p> </div> <div style="width: 45%;">  <p style="text-align: center;">Figure 2</p> </div> </div> <p><i>* All dimensions are shown in mm (millimeters).</i></p>	

Specifications are subject to change without notice.

INTRODUCTION

REPLACEMENT PARTS

REPLACEMENT PARTS	
Part #	Description
 Caution	Window types (Diamonex and Sapphire) are <u>not</u> interchangeable due to laser safety and/or scanner performance differences. To change window type, the scanner must be returned to the manufacturer for reconfiguration.
46-00232	StratosS™ Vertical Scan Window
46-00296	Diamonex Platter - Full Size with Product Weight Roll Bar / Platter Lift Handle
46-00297	Sapphire Platter - Full Size with Product Weight Roll Bar / Platter Lift Handle

Other items may be ordered for the specific protocol being used. To order additional items, contact the dealer, distributor or call Metrologic's Customer Service Department at 1-800-ID-METRO or 1-800-436-3876.

INTRODUCTION

GENERAL PRECAUTIONS

The following are some general precautions to remember when handling your MS2200 Series scanner.

Do NOT TURN the unit upside down with the platter in place.

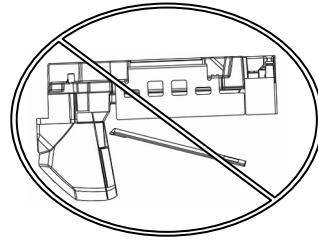


Figure 3

Do NOT PRESS on the window in the replacement platter or the vertical window frame.

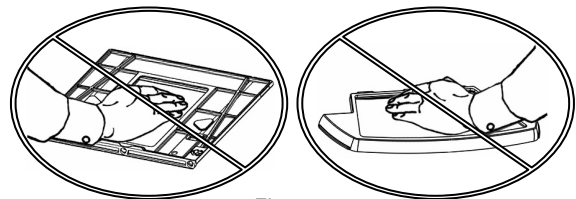


Figure 4

PLATTER REMOVAL

No hardware or tools are required to remove the platter (see Figure 5). Refer to the Maintenance section of this manual for additional information on platter replacement.



See caution statement on page 4.

Unlatch the Platter Lift Handle, as shown (Use finger recess). Use the lift handle to raise the platter upwards.

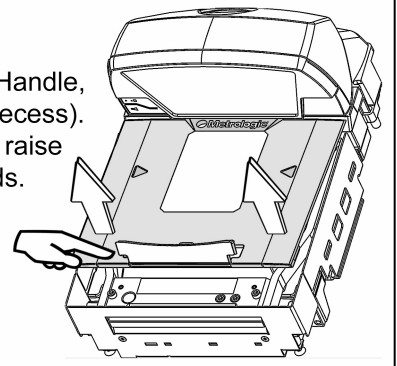
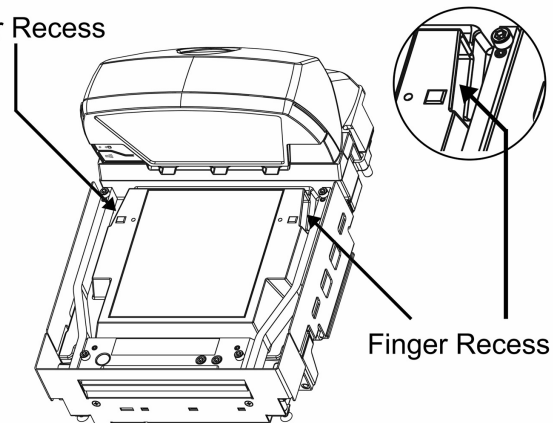


Figure 5

FINGER RECESSES

REST both thumbs against the vertical window frame for added stability when lifting the unit by the finger recesses.

Finger Recess



Finger Recess

Platter Not Shown.

Figure 6

INTRODUCTION

MS2200 SERIES DESIGN SPECIFICATIONS

		Design Specifications			
Operational					
Light Source:	VLD 650 nm				
Peak Laser Power:	<1.5 mW				
Maximum IR LED Output:	50µW per IEC 60825-1 measurement procedure				
Horizontal Depth of Field:	0 mm - 152 mm (0" - 6") for 0.33 mm (13 mil) Bar Code				
Vertical Depth of Field:	0 mm - 216 mm (0" - 8.5") for 0.33 mm (13 mil) Bar Code				
Scan	(Scan) Speed: 5400 Scan Lines per Second		(Scan) Zone: 360°		
No. of Scan Lines:	54 (38 Horizontal / 16 Vertical)				
Motor Speed:	6000 / 6000 RPM (Horizontal / Vertical)				
Min Bar Width:	0.127 mm (5.0 mil)				
Decode Capability:	All Standard 1-D Bar Codes, RSS-14, RSS-Expanded, and RSS-14 Limited Bar Codes				
System Interfaces:	RS232, Aux RS232, IBM468x/469x, USB, and OCIA				
Print Contrast:	35% Minimum Reflectance Difference				
No. Characters Read:	Up to 80 data characters. Maximum number will vary based on symbology and density.				
Beeper Operation:	7 Tones or No Beep; 3 Volume Settings				
Indicators (LED)	Blue		White		Amber
	Laser ON, Ready to Scan		Good Read, Decoding		Scale at Zero
Mechanical					
MS2220 L x W x H:	399 mm (15.7") [L]		292 mm (11.5") [W]		130 mm (5.12") [Tower Height]
Depth (Below Counter):	100 mm (3.9")				
Weight (with Platter):	MS2220, 9.28 kg (20.5 lbs.)				
Electrical					
Voltage Supply:	2A @ +5.2V / 1A @ +12V				
Power:	Operating: 11.9 Watts		Standby: 3.25 Watts		
Current:	Operating: 1.5A @ 5.2V / .3A @ 12V		Standby: .44 A @ 5.2V / .08A @ 12V		
DC Transformers:	Class II; 5.2VDC @ 2A; 12VDC @ 1A				
<i>For Regulatory Compliance Information refer to pages 70 - 72.</i>					
Scale Capacities					
Capacity:	kg unit	6.0 / 15.0 kg		lb. unit	15.0 / 30.0 lb.
Minimum Increments:	kg unit	0.002 / 0.005 kg		lb. unit	0.005 / 0.01 lb.
Maximum Static Weight:	kg unit	75.0 kg		lb. unit	150.0 lb.
Adjustments required:	Calibration only.				
Environmental					
Operating Temperature:	0°C to 40°C (32°F to 104°F)				
IP Rating:	IP 55				
Light Levels:	4842 Lux (450 foot-candles)				
Storage Temperature:	-40°C to 60°C (-40°F to 140°F)				
Humidity:	5% to 95% Relative Humidity, Non-Condensing				
Contaminants:	Sealed to resist airborne particulate contaminants.				
Ventilation:	None Required				

Specifications are subject to change without notice.

BASE MODEL CHARACTERISTICS

MS2220 Scanner/Mettler Toledo DIVA Scale

Components

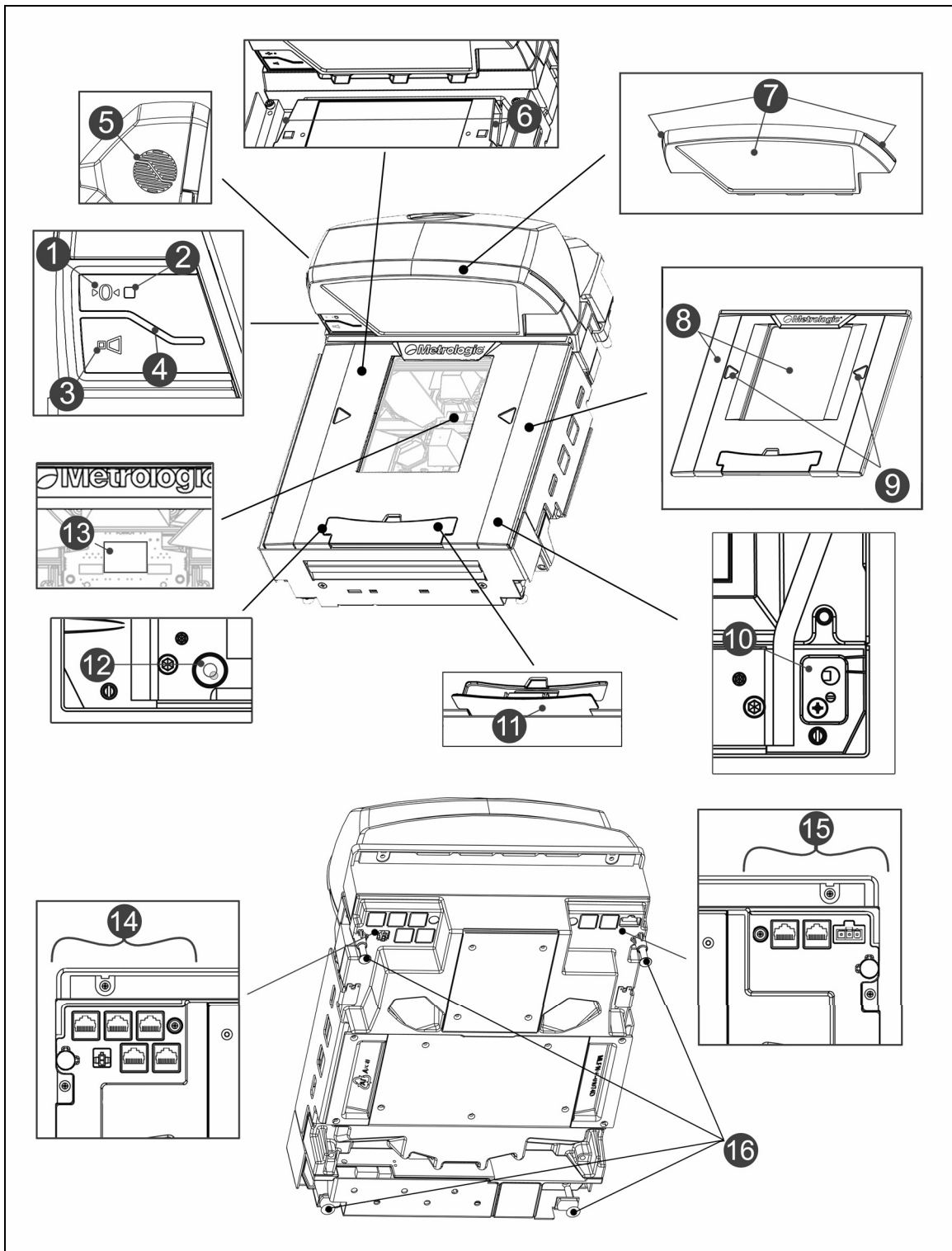



Figure 7. MS2220 Components

BASE MODEL CHARACTERISTICS

MS2220 Scanner/Mettler Toledo DIVA Scale

Components

ITEM NO.	DESCRIPTION OF ITEM IN FIGURE 7
1	Scale Zero Button (see page 39)
2	Amber LED, Scale Zero Indicator (see page 39)
3	Volume/Tone Multi-Function Button (see page 37)
4	Blue and White LED Indicators (see page 31)
5	Speaker
6	Finger Recesses for Lifting (Located Under Platter)
7	High Impact Window Frame / Vertical Window (Laser Aperture)
8	Replaceable Stainless Steel Platter with Diamonex or Sapphire Horizontal Window (Laser Aperture)
9	Flow Direction Indicator
10	<p>Sealed Calibration Switch/Button Cover (Located Under Platter)</p> <p>On a fully installed unit the calibration switch cover should be sealed with a lead wire or paper seal. This seal indicates the appropriate Federal, State and Local Weights and Measures authorities have calibrated the scale. See the <i>Scale Operation: Calibration</i> section of this guide for further information.</p>
11	Product Weight Roll Bar / Platter Lift Handle
12	Leveling Bubble for Scale Arms
13	Diagnostic Indicator Display (see page 33 for Error Codes)
14	Interface, Aux Scanner and EAS Connectors (see page 9)
15	Power and Scale Connectors (see page 9)
16	Leveling Feet
	Scanner/Diva Scale label information can be found on page 10.

BASE MODEL CHARACTERISTICS

MS2220 Scanner/Diva Scale

Dimensions

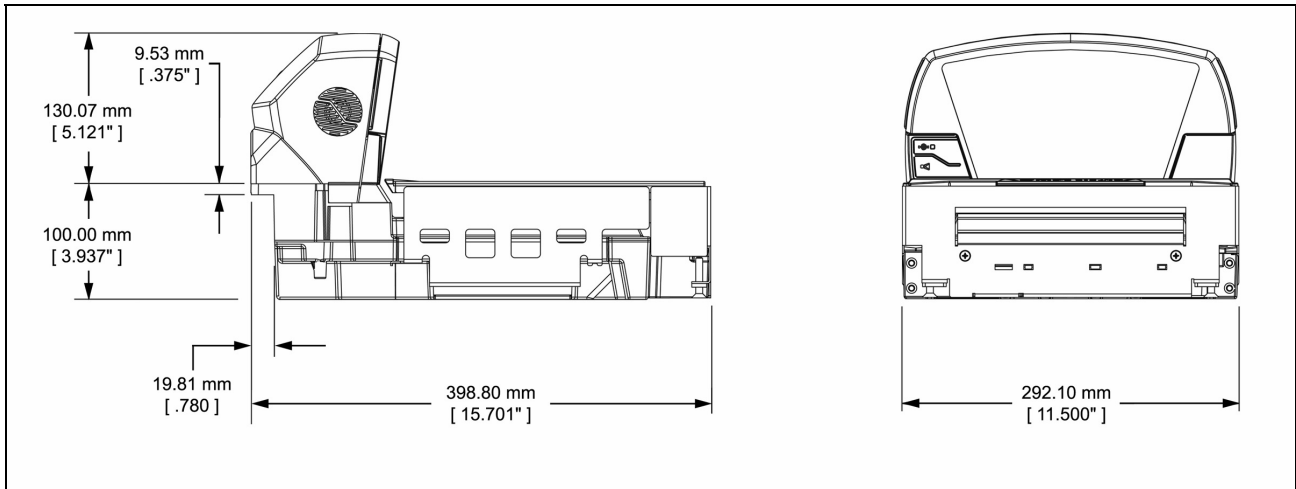


Figure 8. MS2220 Dimensions

Specifications are subject to change without notice.

Connector Panel

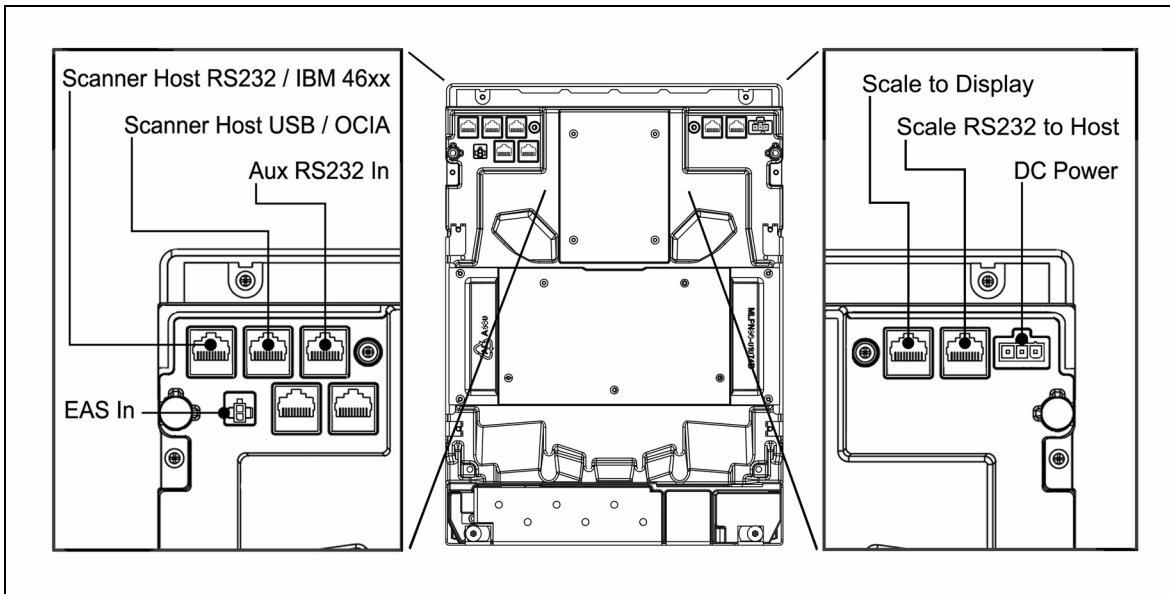


Figure 9. MS2220 Connector Panel

BASE MODEL CHARACTERISTICS

MS2220 Scanner/Diva Scale

Caution and Serial Number Labels

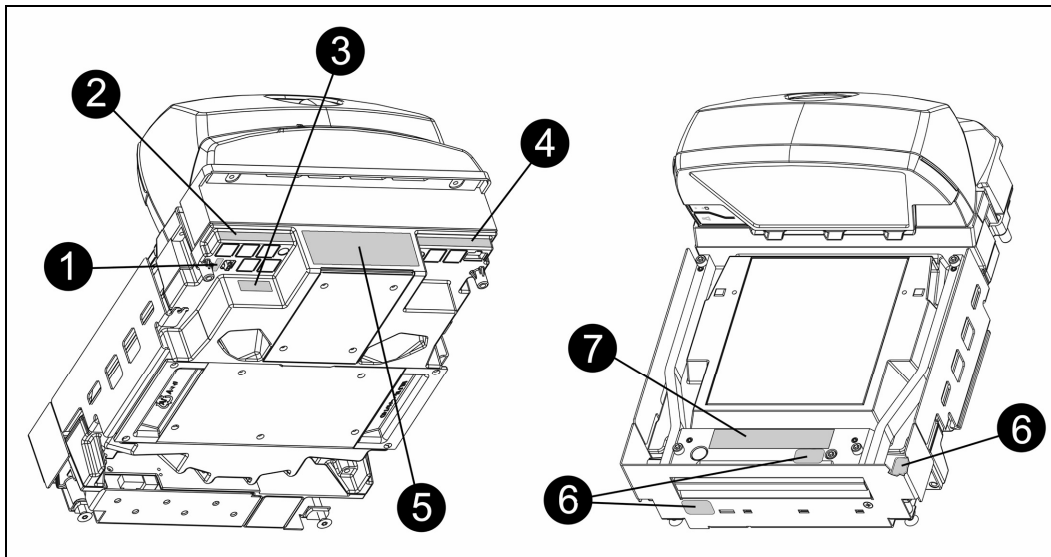


Figure 10. MS2220 Label Locations (Top) and Examples (Bottom)

1	EAS In	2	<table border="1"> <tr> <th>Scanner Host</th> <th>Scanner Host</th> <th>Aux</th> </tr> <tr> <td>RS232, 46xx</td> <td>USB, OCIA</td> <td>RS232 In</td> </tr> </table>	Scanner Host	Scanner Host	Aux	RS232, 46xx	USB, OCIA	RS232 In				
Scanner Host	Scanner Host	Aux											
RS232, 46xx	USB, OCIA	RS232 In											
3	<table border="1"> <tr> <th>Scale</th> <th>Scale Display</th> </tr> <tr> <td>Data In</td> <td></td> </tr> </table>	Scale	Scale Display	Data In		4	<table border="1"> <tr> <th>Scale</th> <th>Scale</th> <th>DC</th> </tr> <tr> <td>RS485 to Display</td> <td>RS232 to Host</td> <td>Power In</td> </tr> </table>	Scale	Scale	DC	RS485 to Display	RS232 to Host	Power In
Scale	Scale Display												
Data In													
Scale	Scale	DC											
RS485 to Display	RS232 to Host	Power In											
5	<p>Metrologic Instruments Inc. Blackwood New Jersey, U.S.A. Contains no user serviceable components. Warranty void if case is opened. Complies with FCC and CE5003 Class A. See manual. Manufactured Blackwood, NJ June 2006 (A) Model: MS2220-105KD 232, OCIA, 46XX, USB Stratos™ Barcode Scanner 37 06 25 0193</p> <p>This product complies with 21 CFR 1040.10 and 1040.11 except for deviations pursuant to Laser Notice No. 50 dated July 26, 2001.</p> <p>5V, 12V CAUTION: Laser light when opened. DO NOT STARE INTO BEAM.</p> <p>UL LISTED 9448 I.T.E. CE</p>	6	<p>Metrologic SEAL OR METTLER TOLEDO SECURITY SEAL</p>										
7	<p>Mettler-Toledo, (Changzhou) Scale & System Ltd CC: 06-024 MODEL: DIVA S/N: 12345678XX Made in China</p> <p>www.mt.com</p> <p>DIVA MXXX Max 30 lb / 15 kg Min 0.2 lb / 100 g e = 0.01 lb / 5 g</p> <p>OR</p> <p>Mettler-Toledo, (Changzhou) Scale & System Ltd MODEL: DIVA S/N: 12345678XX Made in China</p> <p>www.mt.com</p> <p>DIVA MXXX Max 6 / 15 kg Min 40 g e = 2 / 5 g T6941</p> <p>DIVA scale shipped with remote display.</p> <p>www.mt.com</p> <p>DIVA MXXX Max 6 / 15 kg Min 40 g e = 2 / 5 g TC6942</p> <p>DIVA scale shipped without remote display.</p>												

Caution: To maintain compliance with applicable standards, all circuits connected to the scanner must meet the requirements for SELV (Safety Extra Low Voltage) according to EN/IEC 60950-1.



To maintain compliance with standard CSA C22.2 No. 60950-1/UL 60950-1 and norm EN/IEC 60950-1, the power source should meet applicable performance requirements for a limited power source.

INSTALLATION

QUICK INSTALLATION OUTLINE

The following is a quick preview of the steps required for 1st time installations. Each item is discussed in detail later in this section.

- Determine clearance, ventilation and service access requirements.
- Determine checkout counter layout taking into account package flow, cable routing and power requirements.
- Choose the mounting option which provides the best cable/power access and unit stability.
- Unpack the unit.
- Make the appropriate countertop cutouts and install all support brackets.
- Place the unit in the counter.
- Install the platter.
- Follow the steps under the correct interface to connect the cables and power supply.
- Configure the unit for the correct interface.
- Calibrate the Diva scale.

SITE REQUIREMENTS

Before installing your StratosS scanner/Diva scale, please consider the following items.

Vertical Clearance

A minimum clearance height of 5.25" from the checkout counter surface is needed for the vertical 'hood' on all of the scanner models.

Ventilation and Spacing

All StratosS models have a die-cast housing to dissipate heat allowing the unit to operate without a ventilation fan. Metrologic recommends that the temperature surrounding the unit does not exceed 40°C (104°F). There should be adequate convection and minimal heat producing equipment in close proximity of the unit.

A cooling fan with a filter is recommended if there will be a conveyor motor or other heat producing equipment close to the unit that will create a high temperature environment.

Adequate spacing between the unit and the checkout counter opening is required for proper operation of the scale. When the scanner/Diva scale model is mounted properly, the scale platter should be able to move up and down freely without hitting the edges of the checkout counter cutout. Refer to *Installing the Unit in the Counter* beginning on page 14 of this guide for detailed cutout dimensions and mounting instructions.

Service Access

When routing and installing the cable(s) and power supply, make sure you leave access that these components may be swapped easily without the need to remove the unit from the checkout counter.

When changing the Stratos**SWAP**[™] optics engine modules, Metrologic recommends removing the unit completely from the checkout counter.

When calibrating or zeroing the scale, do not remove the unit from the checkout counter. Refer to the *Scale Operation Section* beginning on page 39 of this guide for detailed instructions on zeroing and calibration.

INSTALLATION

SITE REQUIREMENTS

Power Installation

The Power Supply (AC/DC) should be connected to an AC Outlet that is free of electrical noise (clean). A qualified electrician can determine the amount of electrical noise on the AC line. See additional information on power installation and restrictions under the Installation: Interface section of this manual.



Metrologic recommends using a switched AC outlet. The switch should be located on the operator's side of the checkout counter in close proximity to the StratosS to facilitate calibration and service of the unit.

Checkout Counter Layout Considerations

When placing a scanner in a checkout counter, the following factors should be considered.

- Items should flow at a distance to the operator that maximizes comfort. The operator should not need to stretch or strain to reach for and scan packages.
- The StratosS can scan a bar code on five sides of a package. The packages should flow into the scan area that provides the maximum reading performance. No lifting or orientation of the items is necessary. A properly placed item diverter can maximize the flow of packages.
- In what direction are the packages flowing? Most checkout counters are designed for left-handed takeaway. If the operator is facing the vertical window of the scanner, packages flow from the operator's right to left. The packages are in queue on the conveyor to the right and the bagging is to the left.

INSTALLATION

UNPACKING THE UNIT

1. Make sure the shipping box is top-side up before opening.
2. Remove the accessories box and check the box's content for the following items.
 - Product Manuals
 - Power Supply
 - Communication Cables
 - Remote Scale Display (Optional)

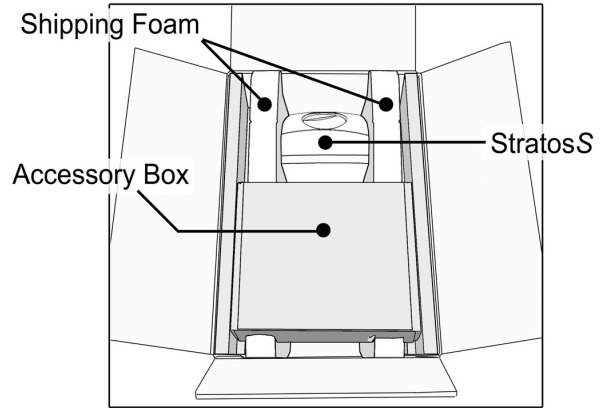


Figure 11

3. Carefully remove the platter and store it in a safe location until the unit is properly installed into the checkout counter.
4. Remove both cardboard inserts from the box.

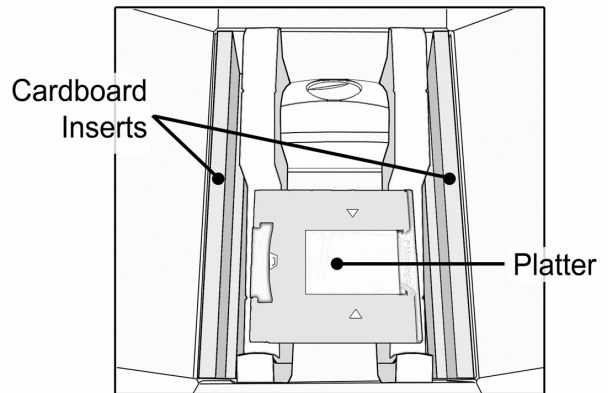


Figure 12

5. Lift the MS2220 scanner out of the box by carefully grasping both sides near the center of the unit and lifting directly up. Refer to Figure 13 for hand placement.

Important! Do not remove the MS2220 scanner from the box by grabbing the shipping foam. This can result in the unit falling!

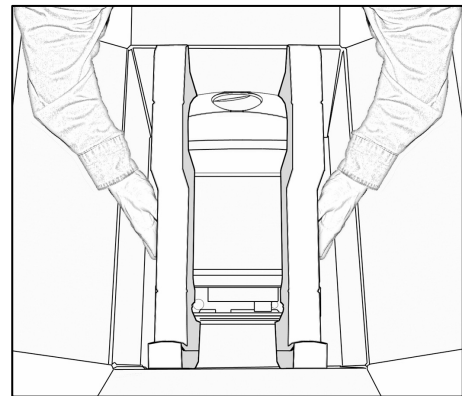


Figure 13

6. Carefully remove the shipping foam from around the MS2220 scanner.

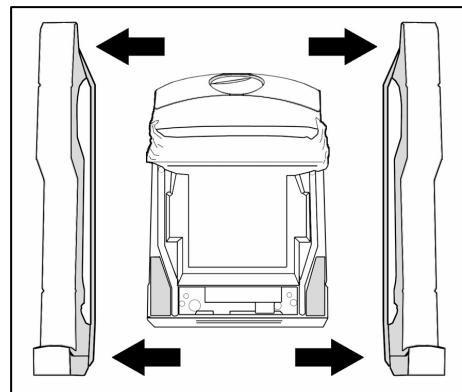


Figure 14

INSTALLATION

UNPACKING THE UNIT

MS2220 Package Warning

There is a protective film located on the topside platter surface, vertical scan windows outer surface, and the horizontal scan windows top surface. These protective films must be removed prior to performing any scanner operation (see *Figure 15*).

Both foam wedges securing the scale arms during shipping must be removed or the scale will not function (see *Figure 15*)!

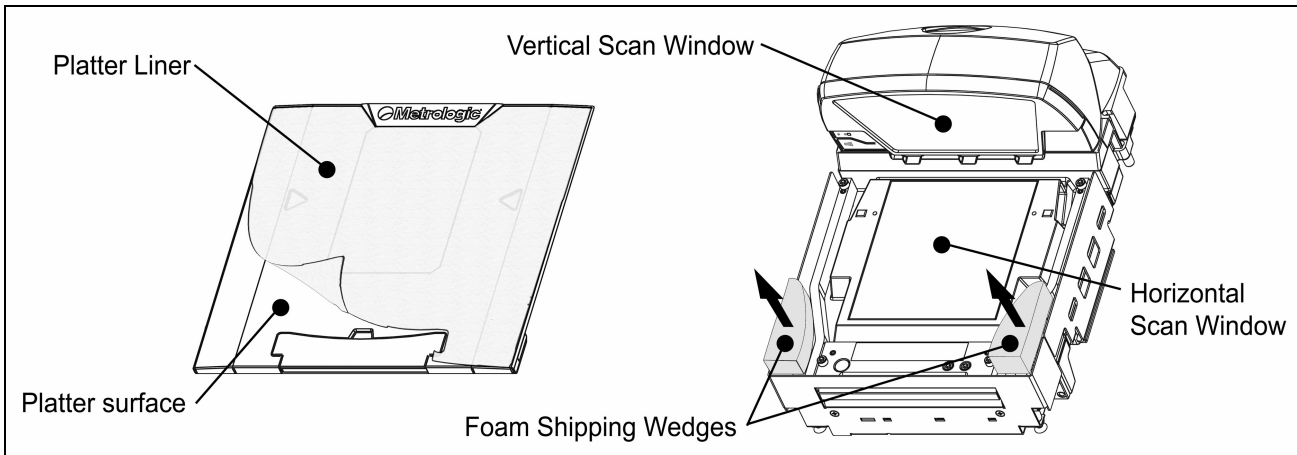


Figure 15. Protective shipping foam and lining.



Do not discard these instructions and shipping foam wedges! If the unit is going to be reshipped at any time this foam must be reinstalled prevent damage to the scale arms during shipping.

INSTALLING THE UNIT IN THE COUNTER

Before starting to mount the StratosS determine:

- the scanner's orientation in reference to the operator and the direction of package flow,
- the mounting method that provides the most stability for the scanner and
- if any additional materials or tools are required for installation.

Lifting the Unit by the Finger Recesses

There are two finger recesses located under the removable platter near the base of the vertical window. These finger recesses are provided to assist in installation when placing the unit in the checkout counter cutout (See *Figure 16*).

To decrease the risk of dropping the unit during installation, rest both thumbs against the vertical window frame for added stability when lifting the unit by the finger recesses. The unit may tilt forward when lifted by the finger recesses if it is not stabilized making installation in the countertop cutout difficult.

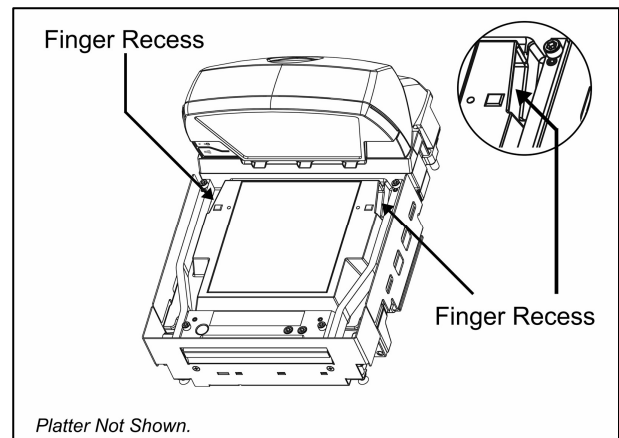


Figure 16. Lifting the Unit by the Finger Recesses

INSTALLATION

INSTALLING THE UNIT IN THE COUNTER

MS2220 Mounting Diagram

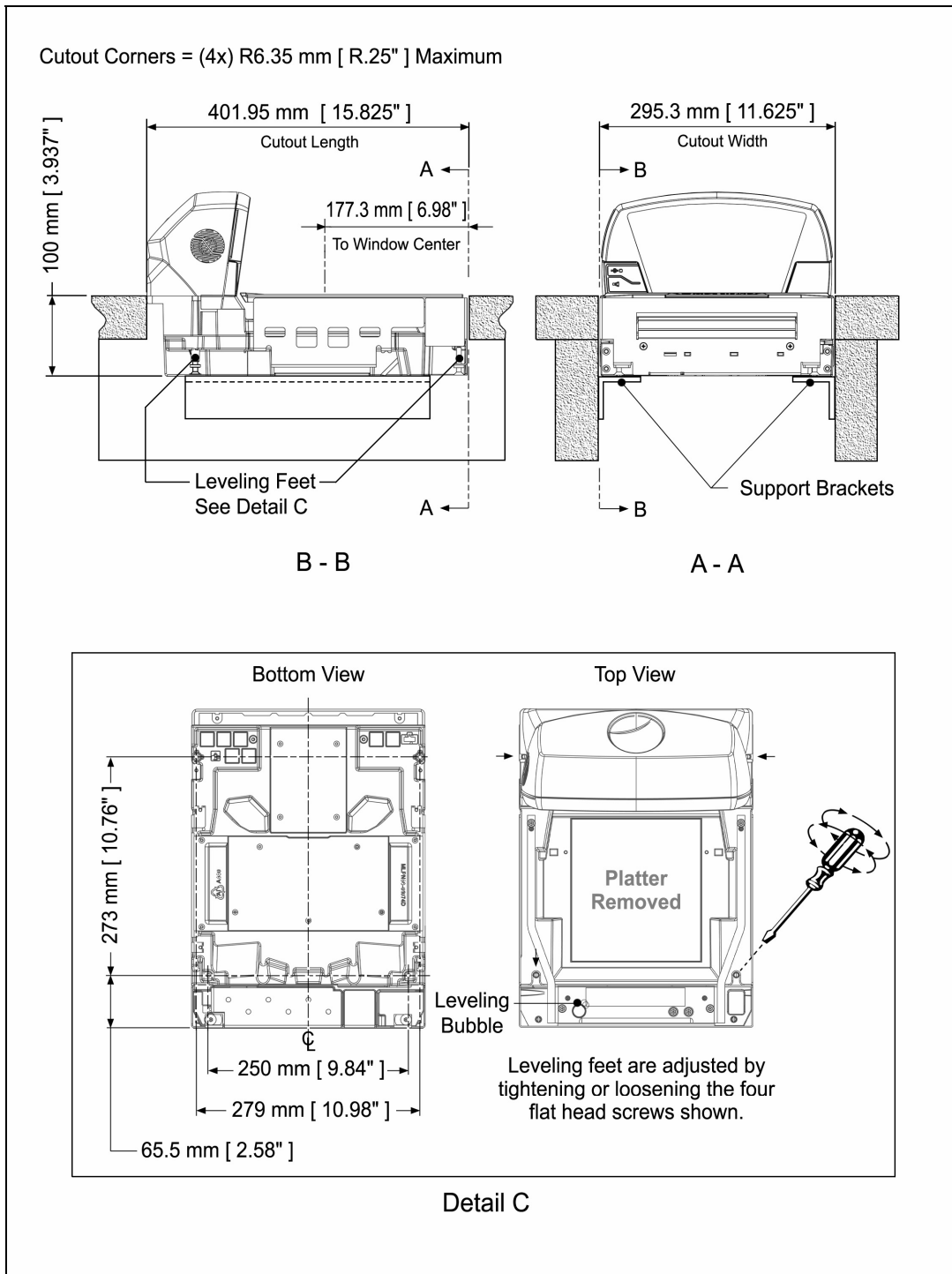


Figure 17. MS2220 Mounting Diagram

Specifications are subject to change without notice.

INSTALLATION

CABLE INSTALLATION (INTERFACE SPECIFIC)

RS232

The following steps describe how to properly install the cables for an RS232 StratosS application. The scanner/Diva scale **must** then be configured to match the host's RS232 parameters. Cable installation alone **does not** guarantee that the StratosS will communicate properly with the host system.



Configuration bar codes are located in the MetroSelect Configuration Guide (MLPN 00-02407.x) and the MS2.x20 Stratos Series Scanner/Diva Scale Configuration Addendum (MLPN 00-02272.x).

1. Turn off the host system.
2. Plug the 10-pin RJ45 end of the RS232 interface cable (MLPN 57-57210.x-N-3) into the 10-pin socket labeled **Scanner Host RS232**, on the bottom of the StratosS. Refer to the figure on page 17.
3. Connect the other end of the RS232 cable to the proper communication port on the host device.



Before continuing, verify that the RS232 interface cable is connected to the appropriate interface socket on the scanner. An incorrect cable connection can cause communication problems or potential damage to the scanner and/or terminal.

Steps 4 and 5 are for **dual cable** interfaces where the scale and the scanner connect to the host with their own separate communication cables. Skip to step 6 for a **single cable** interface where the scale and scanner connect to the host with a single cable.

4. Plug the dual interface cable (MLPN 57-57000.x-N-3) into the 10-pin socket labeled, **Scale RS232 to Host**, on the bottom of the StratosS.
5. Connect the other end of the dual interface cable (MLPN 57-57000.x-N-3) to the appropriate communication port on the host's scale device.
6. Plug the *optional* remote scale display cable (MLPN 46-00375, 46-00376, or 46-00377) into the 10-pin socket labeled, **Scale to Display**, on the bottom of the StratosS.
7. Plug the external power supply (MLPN 46-002.x.x) into the 3-pin Molex socket labeled, **DC Power In**, on the bottom of the StratosS.



Check the AC input requirements of the power supply to make sure the voltage matches the AC outlet. The outlet should be located near the equipment and be easily accessible.



Metrologic recommends using a switched AC outlet. The switch should be located on the operator's side of the checkout counter in close proximity to the StratosS to facilitate calibration and service of the unit.

8. Connect AC power to the transformer. If the AC outlet is equipped with an on/off switch, turn the power on.

INSTALLATION

CABLE INSTALLATION (INTERFACE SPECIFIC)

RS232

9. Turn on the host system.
10. Scan the recall **Recall Defaults** bar code.



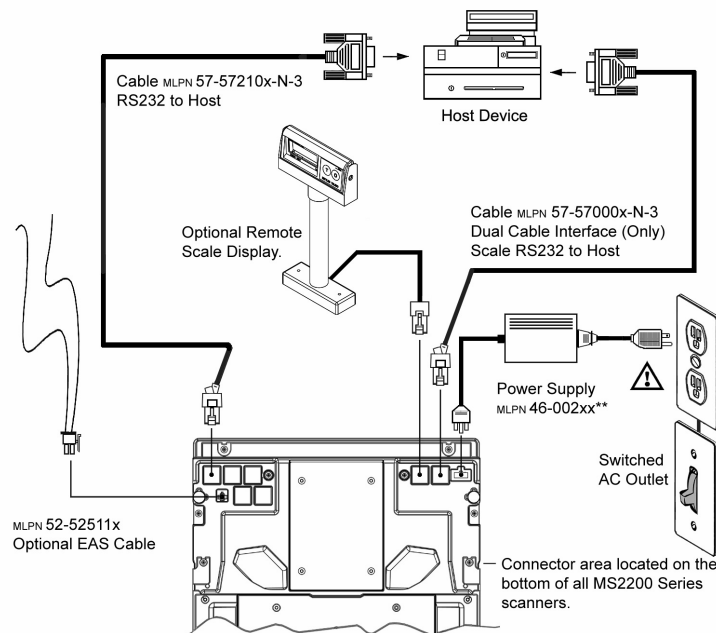
The *Recall Defaults* bar code is located in the MetroSelect Configuration Guide, under *Need to Start Over* on page xi (MLPN 00-02407.x).

11. Configure the StratosS to match the host system's RS232 parameters.



Refer to the MetroSelect Configuration Guide (MLPN 00-02407.x) under *Section G: RS232* for enabling RS232 Mode (scan the *recall defaults* bar code first).

Refer to the MS2x20 Stratos Series Scanner/Diva Scale Configuration Addendum (MLPN 00-02272.x) for scale, dual cable and single cable configuration bar codes.



xx** Specifies international connection. See the Base Kit Components and Optional Accessories section of this guide for a complete listing.



See power source caution statement on page 10 of this manual.

Figure 18. RS232 Interface Cable Installation Schematic

INSTALLATION

CABLE INSTALLATION (INTERFACE SPECIFIC)

FULL SPEED USB

The following steps describe how to properly install the cables for a Full Speed USB StratosS application. The scanner/Diva scale **must** then be configured to match the host's USB parameters. Cable installation alone **does not** guarantee that the StratosS will communicate properly with the host system.



Configuration bar codes are located in the MetroSelect Configuration Guide (MLPN 00-02407x) and the MS2.x20 Stratos Series Scanner/Diva Scale Configuration Addendum (MLPN 00-02272x).

1. Turn off the host system.
2. Plug the 10-pin RJ45 end of the USB interface cable (MLPN 57-57201x-N-3 or 57-57227x-N-3) into the 10-pin socket labeled, **Scanner Host USB**, on the bottom of the StratosS. Refer to the figure on page 20.
3. Connect the other end of the USB interface cable to the appropriate USB port on the host device.



Before continuing, verify that the USB interface cable is connected to the appropriate socket on the scanner. An incorrect cable connection can cause communication problems or potential damage to the scanner and/or terminal.



Manufacturers Note: Plugging the scanner into the USB port of the host does not guarantee that scanned information will appear at the host. A software driver and correct configuration setting are also required for proper communication to occur.

Steps 4 and 5 are for **dual cable** interfaces where the scale and the scanner connect to the host with their own separate communication cables. Skip to step 6 for a **single cable** interface where the scale and scanner connect to the host with a single cable.

4. Plug the dual interface cable (MLPN 57-57000x-N-3) to the 10-pin socket labeled, **Scale RS232 to Host**, on the bottom of the StratosS.
5. Connect the other end of the dual interface cable (MLPN 57-57000x-N-3) to the appropriate communication port on the host's scale device.
6. Plug the optional remote scale display cable (MLPN 46-00375, 46-00376, or 46-00377) into the 10-pin socket labeled, **Scale to Display**, on the bottom of the StratosS.
7. Plug the external power supply (MLPN 46-002x:x) into the 3-pin Molex socket labeled, **DC Power In**, on the bottom of the StratosS.



Check the AC input requirements of the power supply to make sure the voltage matches the AC outlet. The outlet should be located near the equipment and be easily accessible.



Metrologic recommends using a switched AC outlet. The switch should be located on the operator's side of the checkout counter in close proximity to the StratosS to facilitate calibration and service of the unit.

8. Connect AC power to the transformer. If the AC outlet is equipped with an on/off switch, turn the power on.

INSTALLATION

CABLE INSTALLATION (INTERFACE SPECIFIC)

FULL SPEED USB

9. Turn on the host system.
10. Configure the StratosS to match the host system's USB parameters.



For Single Cable Applications:

The **IBM OEM Full Speed USB English and Metric** bar codes are located in the *MS2x20 Stratos Series Scanner/Diva Scale Configuration Addendum (MLPN 00-02272x)* under Scanner Configuration Bar Codes: **Single Cable** Protocols for POS Compatibility, IBM OEM Full Speed USB.

For Dual Cable Applications:

The **IBM OEM Full Speed USB Communication Defaults** bar code is located in the *MS2x20 Stratos Series Scanner/Diva Scale Configuration Addendum (MLPN 00-02272x)* under Scanner Configuration Bar Codes: **Dual Cable** Scanner Configuration Bar Codes, IBM OEM Full Speed USB Communication Defaults and IBM OEM Full Speed USB Protocols.

FOR USB SERIAL EMULATION MODE OR KEYBOARD EMULATION MODE ONLY

These features can only be used for Dual Cable Applications.

11. Configure the StratosS for **USB Serial Emulation Mode** or **USB Keyboard Emulation Mode** by scanning the appropriate configuration bar codes in the USB section of the *MetroSelect Configuration Guide (MLPN 00-02407x)* under Low Speed USB. Any low speed USB warnings may be disregarded when utilizing these codes for a Full Speed USB StratosS scanner.



These features can only be used for Dual Cable Applications. The **IBM OEM Full Speed USB Communication Defaults** bar code listed in step 10 must be scanned before scanning one of these barcodes or this feature will not work properly.

INSTALLATION

CABLE INSTALLATION (INTERFACE SPECIFIC)

FULL SPEED USB

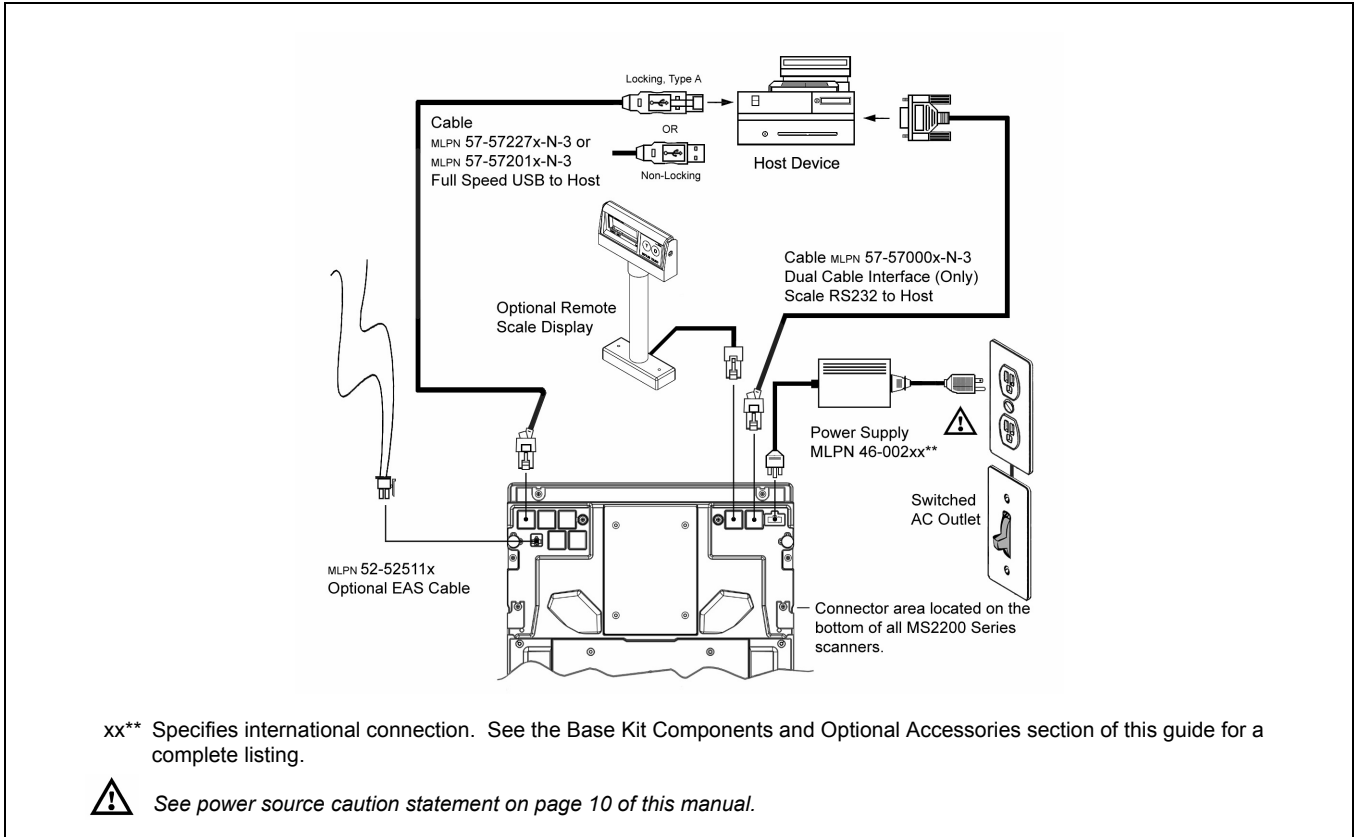


Figure 19. USB Cable Installation Schematic

INSTALLATION

CABLE INSTALLATION (INTERFACE SPECIFIC)

IBM 46xx

The following steps describe how to properly install the cables for an IBM 46xx StratosS application. The scanner/Diva scale **must** then be configured to match the host's IBM 46xx parameters. Cable installation alone **does not** guarantee that the StratosS will communicate properly with the host system.



Configuration bar codes are located in the MetroSelect Configuration Guide (MLPN 00-02407x) and the MS2x20 Stratos Series Scanner/Diva Scale Configuration Addendum (MLPN 00-02272x).

1. Turn off the host system.
2. Plug the 10-pin RJ45 end of the IBM interface cable (MLPN 57-57212x-N-3) into the 10-pin socket labeled, **Scanner Host 46xx**, on the bottom of the StratosS. Refer to the figure on page 22.
3. Connect the other end of the IBM cable to communication port 9 on the host device.



Before continuing, verify that the IBM cable is connected to the appropriate interface socket on the scanner. An incorrect cable connection can cause communication problems or potential damage to the scanner and/or terminal.



Manufacturers Note: Plugging the scanner into the serial port of the host device does not guarantee that scanned information will appear at the host device. A software driver and correct configuration settings are also required for proper communication to occur.

Steps 4 and 5 are for **dual cable** interfaces where the scale and the scanner connect to the host with their own separate communication cables. Skip to step 6 for a **single cable** interface where the scale and scanner connect to the host with a single cable.

4. Plug the 10-pin RJ45 end of the dual interface cable (MLPN 57-57000x-N-3) into the 10-pin socket labeled, **Scale RS232 to Host**, on the bottom of the bottom of the StratosS.
5. Connect the other end of the dual interface cable (MLPN 57-57000x-N-3) into the appropriate communication port on the host's scale.
6. Plug the *optional* remote scale display cable (MLPN 46-00375, 46-00376, or 46-00377) into the 10-pin socket labeled, **Scale to Display**, on the bottom of the StratosS.
7. Plug the external power supply (46-002xx) into the 3-pin Molex socket labeled, **DC Power In**, on the bottom of the StratosS.



Check the AC input requirements of the power supply to make sure the voltage matches the AC outlet. The outlet should be located near the equipment and be easily accessible.



Metrologic recommends using a switched AC outlet. The switch should be located on the operator's side of the checkout counter in close proximity to the StratosS to facilitate calibration and service of the unit.

8. Connect AC power to the transformer. If the AC outlet is equipped with an on/off switch, turn the power on.

INSTALLATION

CABLE INSTALLATION (INTERFACE SPECIFIC)

IBM 46xx

- Turn on the host system.
- Configure the StratosS to match the host system's IBM 46xx parameters.

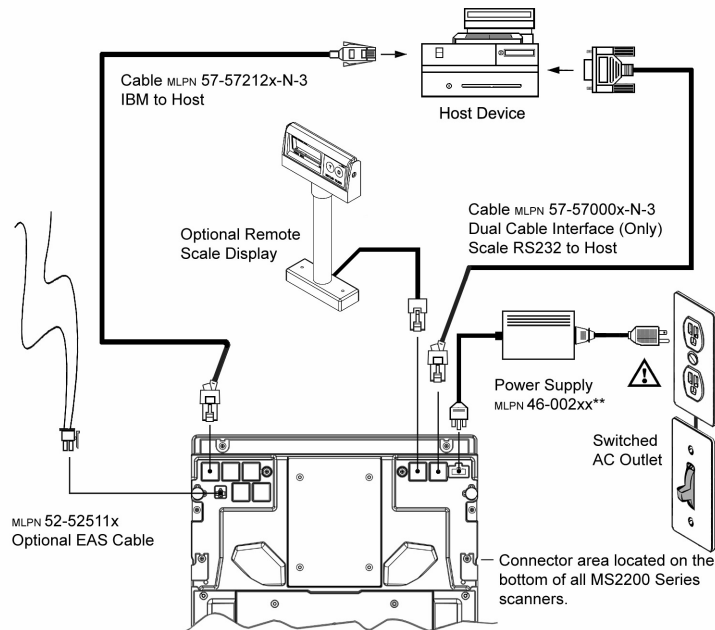


For Single Cable Applications:

The **IBM 3rd Generation 46xx, English and Metric** bar codes are located in the *MS2x20 Stratos Series Scanner/Diva Scale Configuration Addendum (MLPN 00-02272x)* under Scanner Configuration Bar Codes: **Single Cable** Protocols for POS Compatibility, IBM 3rd Generation 46x.x.

For Dual Cable Applications:

The **IBM 3rd Generation 46xx and IBM OEM Full Speed USB** bar code is located in the *MS2x20 Stratos Series Scanner/Diva Scale Configuration Addendum (MLPN 00-02272x)* under Scanner Configuration Bar Codes: **Dual Cable** Scanner Configuration Bar Codes, IBM 3rd Generation 46x.x and IBM OEM Full Speed USB.



xx** Specifies international connection. See the Base Kit Components and Optional Accessories section of this guide for a complete listing.



See power source caution statement on page 10 of this manual.

Figure 20. IBM Cable Installation Schematic

INSTALLATION

CABLE INSTALLATION (INTERFACE SPECIFIC)

OCIA

The following steps describe how to properly install the cables for an OCIA StratosS application. The scanner/Diva scale **must** then be configured to match the host's OCIA parameters. Cable installation alone **does not** guarantee that the StratosS will communicate properly with the host system.



Configuration bar codes are located in the MetroSelect Configuration Guide (MLPN 00-02407x) and the MS2.x20 Stratos Series Scanner/Diva Scale Configuration Addendum (MLPN 00-02272x).

1. Turn off the host system.
2. Plug the 10-pin RJ45 end of the OCIA interface cable (MLPN 57-57016x-N-3) into the 10-pin socket labeled, **Scanner Host OCIA**, on the bottom of the StratosS. Refer to the figure on page 24.
3. Connect the other end of the OCIA Interface cable (MLPN 57-57016x-N-3) to the appropriate communication port on the host device.



Before continuing, verify that the OCIA cable pinouts match the host system's and is connected to the appropriate interface socket on the scanner. An incorrect cable connection can cause communication problems or potential damage to the scanner and/or terminal.



Manufacturers Note: Plugging the scanner into the serial port of the host device does not guarantee that scanned information will appear at the host device. A software driver and correct configuration settings are also required for proper communication to occur.

Steps 4 and 5 are for **dual cable** interfaces where the scale and the scanner connect to the host with their own separate communication cables. Skip to step 6 for a **single cable** interface where the scale and scanner connect to the host with a single cable.

4. Plug the dual interface cable (MLPN 57-57000x-N-3) into the 10-pin socket labeled, **Scale RS232 to Host**, on the bottom of the StratosS.
5. Connect the other end of the dual interface cable (MLPN 57-57000x-N-3) to the appropriate communication port on the host's scale device.
6. Plug the *optional* remote scale display cable (MLPN 46-00375, 46-00376, or 46-00377) into the 10-pin socket labeled, **Scale to Display**, on the bottom of the StratosS.
7. Plug the external power supply (MLPN 46-002x:x) into the 3-pin Molex socket labeled, **DC Power In**, on the bottom of the StratosS.



Check the AC input requirements of the power supply to make sure the voltage matches the AC outlet. The outlet should be located near the equipment and be easily accessible.



Metrologic recommends using a switched AC outlet. The switch should be located on the operator's side of the checkout counter in close proximity to the StratosS to facilitate calibration and service of the unit.

INSTALLATION

CABLE INSTALLATION (INTERFACE SPECIFIC)

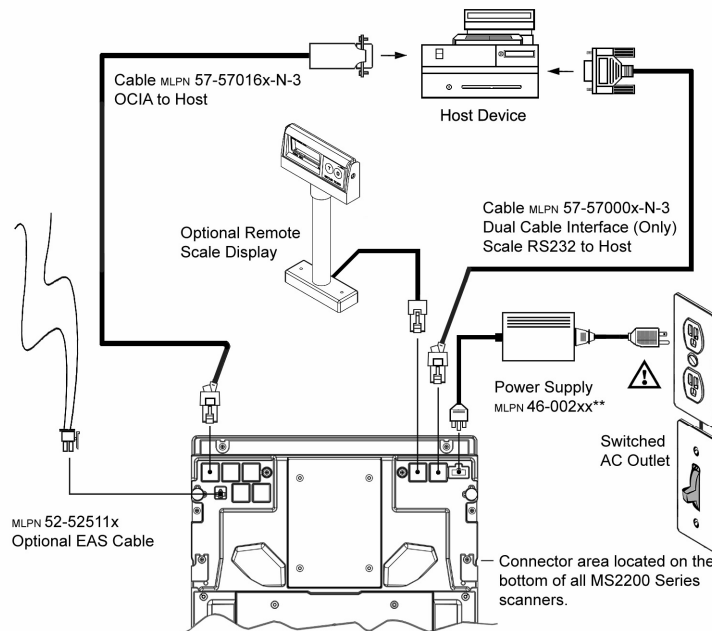
OCIA

8. Connect AC power to the transformer. If the AC outlet is equipped with an on/off switch, turn the power on.
9. Turn on the host system.
10. Configure the StratosS to match the host system's OCIA parameters.



Refer to the MetroSelect Configuration Guide (MLPN 00-02407.x) under *Section I: OCIA* for enabling and setting OCIA parameters.

Refer to the MS2x20 Stratos Series Scanner/Diva Scale Configuration Addendum (MLPN 00-02272.x) for scale, dual cable and single cable configuration bar codes.



xx** Specifies international connection. See the Base Kit Components and Optional Accessories section of this guide for a complete listing.



See power source caution statement on page 10 of this manual.

Figure 21. OCIA Cable Installation Schematic

INSTALLATION

CABLE INSTALLATION (SECONDARY METROLOGIC SCANNER)

The following steps describe how to properly install the cables between a secondary *Metrologic* scanner and the StratosS. The StratosS and the secondary scanner **must** then be configured to communicate properly. Cable installation alone **does not** guarantee that the StratosS will communicate properly with the host system and secondary scanner.



Contact a Metrologic customer service representative **before** connecting another manufacturer's scanner to the StratosS as a secondary scanner.



Configuration bar codes are located in the MS2x20 Stratos Series Scanner/Diva Scale Configuration Addendum (MLPN 00-02272x) under *Scanner Configuration Bar Codes: Auxiliary Port, Quick Start for a Secondary Metrologic Scanner*.

1. Refer to pages 16 - 23 for the type of interface (*RS232, IBM 46xx, etc.*) required for your application. Follow the cable installation steps under the appropriate interface before continuing. Once the communication and power cables have been installed follow step 2 below for the secondary scanner installation.
2. Connect the **straight** end of the RS232 PowerLink AUX cable (MLPN 57-57099x-3) into the RS232 socket of the **secondary** scanner (see figure on page 26).
3. Connect the **angled** end of the RS232 AUX cable (MLPN 57-57099x-3) into the 10-pin socket labeled **Aux RS232 In**, on the bottom of the StratosS.

Important: The StratosS series' aux port requires the signals; transmit, receive, RTS & CTS from the secondary scanner.



StratosS' auxiliary port will support 5VDC devices with a 150mA maximum current. If the auxiliary device exceeds this specification an external power supply will be required to power the auxiliary device.

The following Metrologic scanners can receive power from StratosS: the MS9520, MS9540, and the MS5145.

4. **This step is required for secondary devices that require >5VDC and/or 150mA current to operate.**
Skip to step 5 if the secondary device requires \leq 5VDC.

Plug the power supply into the **secondary** scanner's PowerLink cable (MLPN 57-57099x-3) and connect AC power to the secondary scanner.



Check the AC input requirements of the power supply to make sure the voltage matches the AC outlet. The outlet should be located near the equipment and be easily accessible.

5. Configure the StratosS and the secondary scanner. The auxiliary input port's data format must match the main output format of the secondary scanner.



Refer to the MS2x20 Stratos Series Scanner/Diva Scale Configuration Addendum (MLPN 00-02272x) under *Scanner Configuration Bar Codes: Auxiliary Port, Quick Start for a Secondary Metrologic Scanner*.

INSTALLATION

CABLE INSTALLATION (SECONDARY METROLOGIC SCANNER)

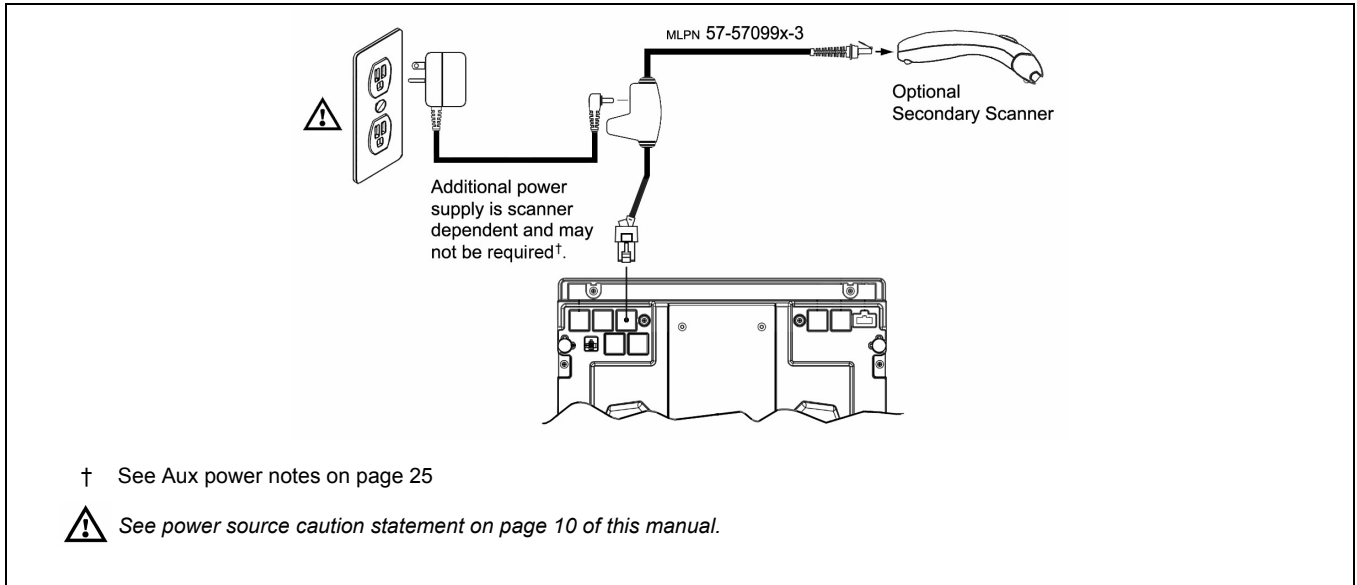


Figure 22. Secondary Scanner Cable Installation Schematic

INSTALLATION

EAS DEACTIVATION

SW1 and SW2 are the switch banks inside the Checkpoint Device that set the deactivation range. The following is a list of Checkpoint recommended switch bank settings.

Base Model	Checkpoint Recommended Switch Bank Settings
MS2220	SW1 & SW2 switches 1 and 6 set to ON

All StratosS models have a connector labeled *EAS In* on the bottom of the unit. Metrologic has an optional EAS cable (MLPN 52-52511x) available for purchase for connection between the Checkpoint Device and the StratosS.

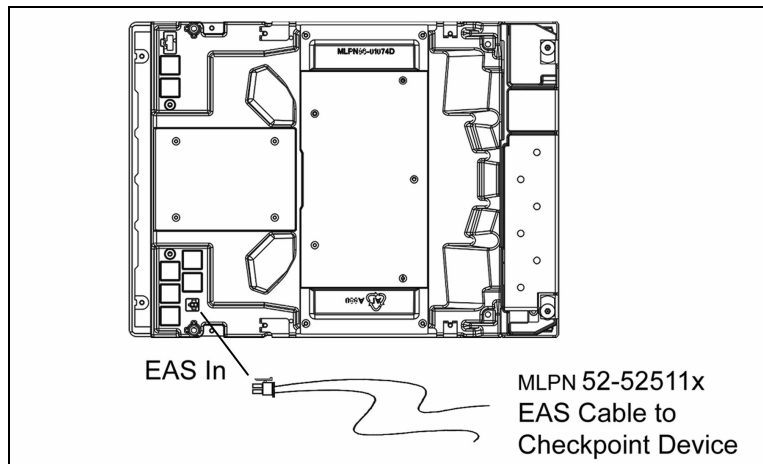


Figure 23. EAS Cable Connection (Bottom of StratosS)

The following figure shows the location of the EAS deactivation area for the StratosS. It is important to pass the entire tag through this area to deactivate the security tag.

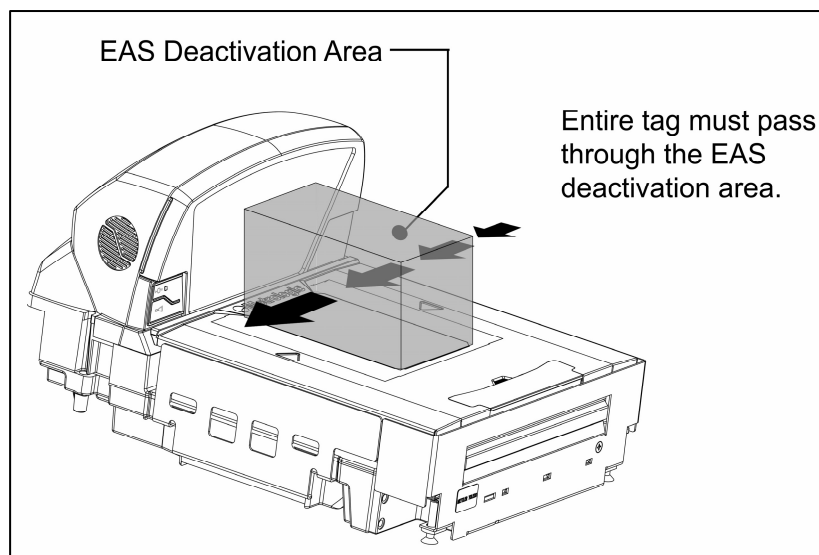


Figure 24. EAS Deactivation Area

SCANNER OPERATION

SCAN ZONE

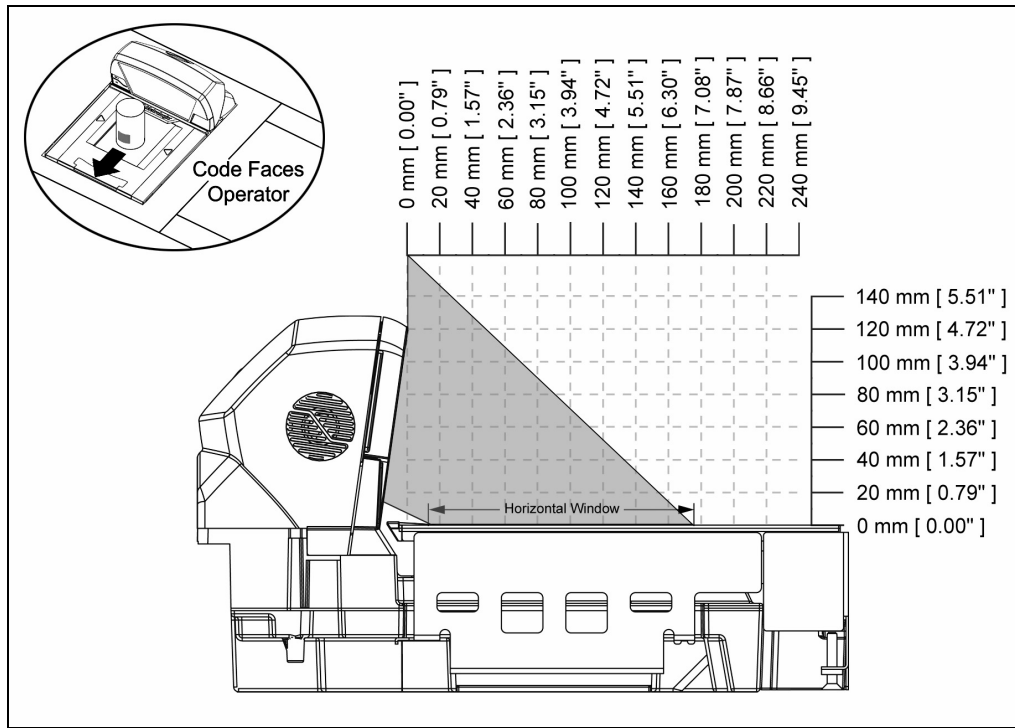


Figure 25. Checker-Side (13 mil)

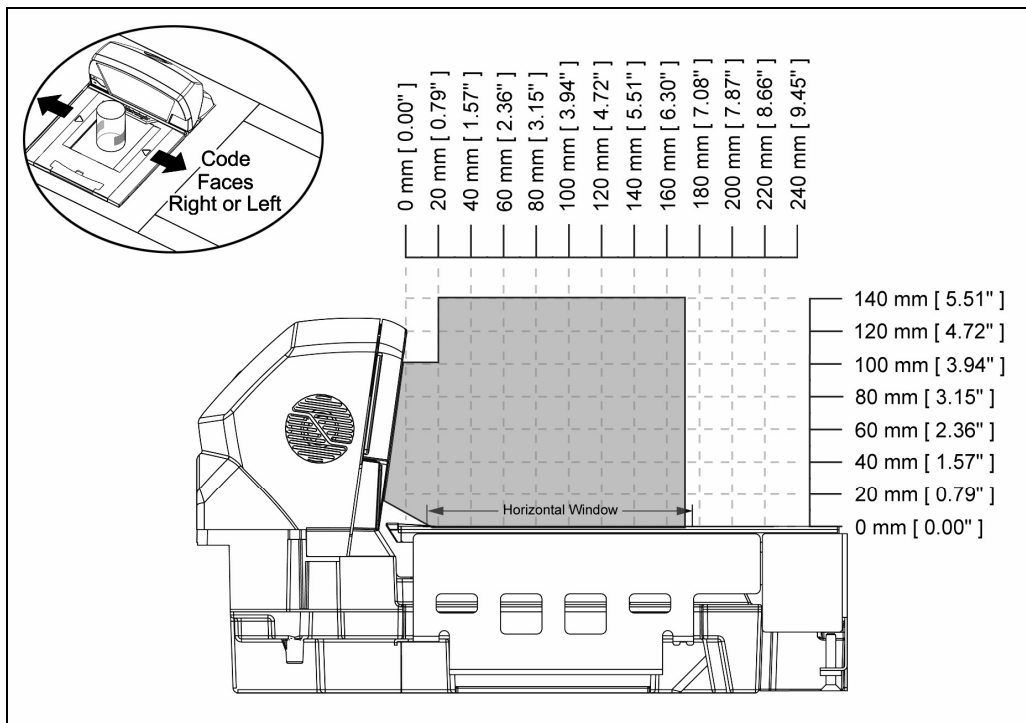


Figure 26. Horizontal Left/Right (13 mil)

Specifications are subject to change without notice.

SCANNER OPERATION

SCAN ZONE

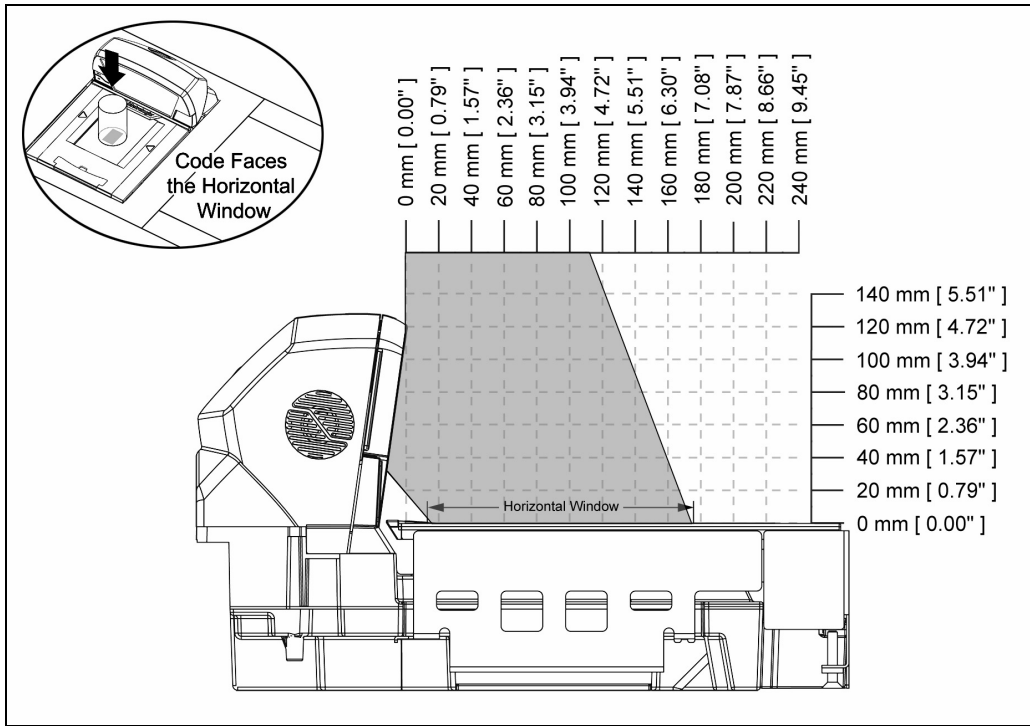


Figure 27. Horizontal Direct (13 mil)

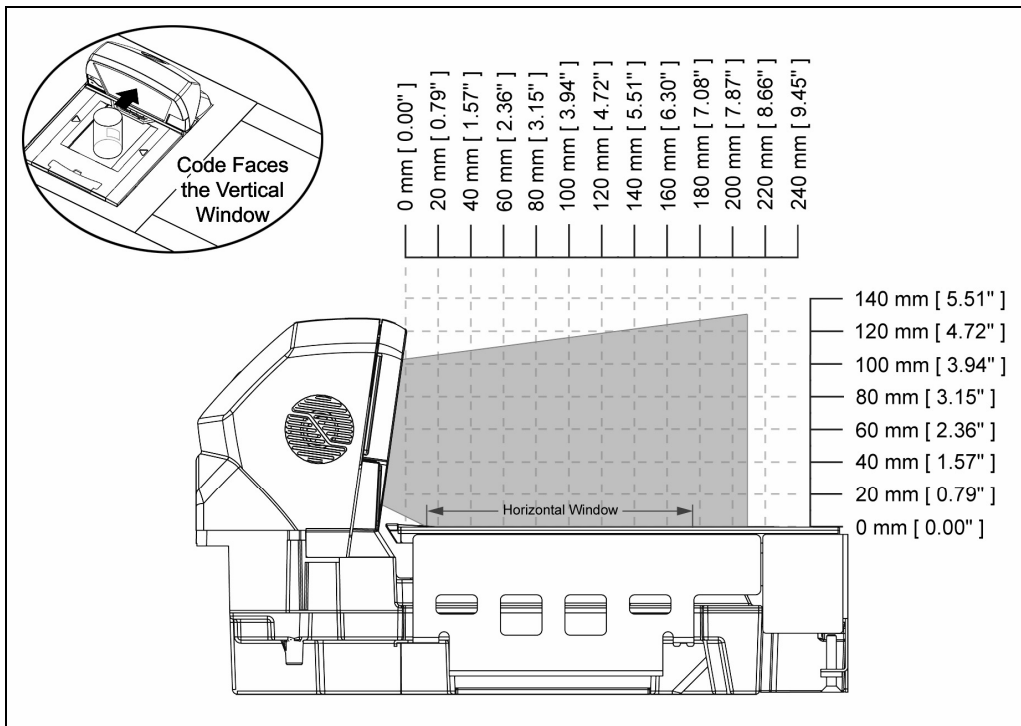


Figure 28. Vertical Direct (13 mil)

Specifications are subject to change without notice.

SCANNER OPERATION

IR ACTIVATION AREA (IR LED OUTPUT)

The StratosS's default power save mode[†] is *Dual Action Power Save Mode #2* (see page 36). This power save mode[†] turns the laser OFF after a configured period of non-use then turns the motor OFF after thirty-minute intervals. Any movement detected by the IR in the activation area, shown below in grey, will cause the scanner to exit the power save mode. The motor will restart automatically and the laser will turn back on preparing the scanner for bar code recognition, decoding and transmission.

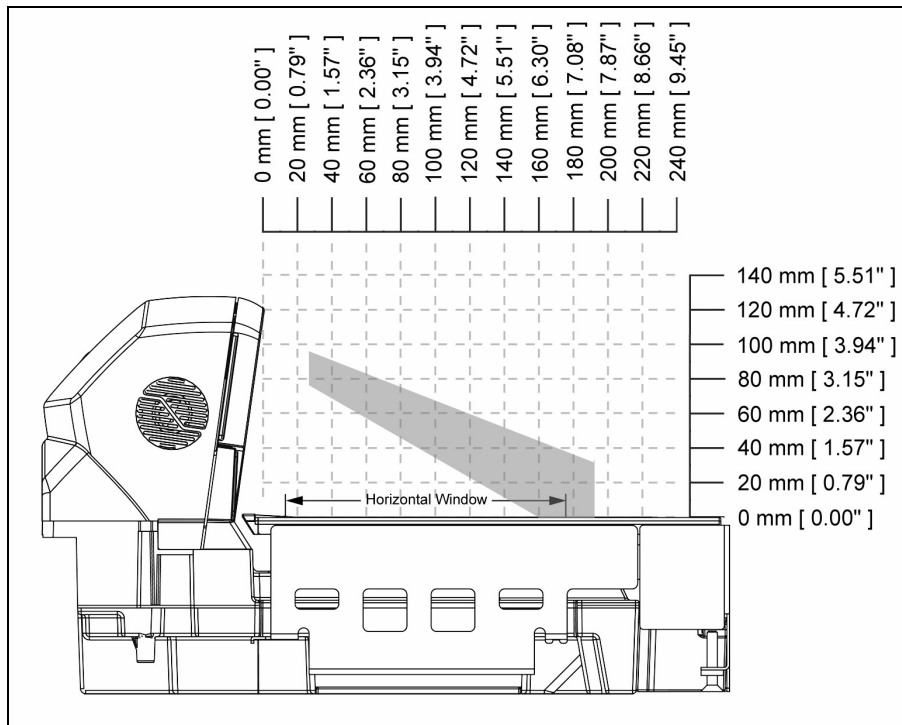


Figure 29. IR Activation Area Perpendicular to Package Flow (IR LED Output)

[†] Refer to the MetroSelect Configuration Guide (00-02407) for additional information on configurable power save modes.

Specifications are subject to change without notice.

SCANNER OPERATION

INDICATOR DESCRIPTIONS

Audible

When in operation the StratosS provides audible feedback that indicates the status of the unit and the current scan. Eight settings are available for the tone of the beep (normal, 6 alternate tones and no tone) plus three volume settings. To change the tone or volume, refer to the *Changing the Beeper Tone & Volume* section of this manual.

One Beep

When the scanner *first* receives power the white LED will flash, the blue LED will turn on and the scanner will beep once (*the white LED will remain on for the duration of the beep*). The scanner is now ready to scan.

When the scanner *successfully* reads a bar code, the white LED will flash and the scanner beeps once (*if configured to do so*). If the scanner does not beep once and the white light does not flash, then the bar code has *not* been successfully read.

Razzberry Tone

This is a failure indicator. Refer to failure modes on page 32.

Three Beeps - during operation

When placing the scanner in configuration mode, the white LED will flash while the scanner simultaneously beeps three times. The white and blue LEDs will continue to flash until the unit exits configuration mode. Upon exiting configuration mode, the scanner will beep three times and the white LED will stop flashing.

When configured, three beeps can also indicate a communications timeout during normal scanning mode.

When using one-code-configuring, the scanner will beep three times (the current selected tone), followed by a short pause, a high tone and a low tone. This tells the user that the single configuration bar code has *successfully* configured the scanner.

Three Beeps - on power up

This is a failure indicator. Refer to failure modes on page 32.

Visual

White and blue LEDs are located near the bottom corner of the vertical output window on the StratosS. When the scanner is ON, the flashing or constant, illumination of the LEDs indicates the status of the StratosS and the current scan. There is an additional amber LED next to the scale zero symbol on all StratosS models that include a scale (*see figure below*).

No White or Blue LED

The LEDs will not be illuminated if the scanner is not receiving power from the host or transformer. They are also not illuminated when all lasers are turned off for any reason.

Steady Blue

When all lasers are active, the blue LED is illuminated. The blue LED will remain illuminated until all lasers are deactivated.

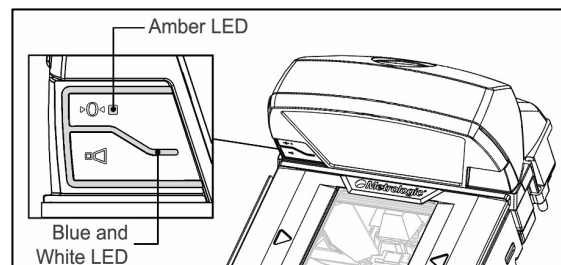


Figure 30. LEDs

SCANNER OPERATION

INDICATOR DESCRIPTIONS

Visual (Continued)

Steady Blue and Single White Flash

When the scanner successfully reads a bar code, the white LED will flash and the scanner will beep once. If the white LED does not flash or the scanner does not beep once, then the bar code has not been successfully read.

Steady White and Blue

After a successful scan, the scanner transmits the data to the host device. Some communication modes require that the host inform the scanner when data is ready to be received. If the host is not ready to accept the information, the scanner's white LED will remain on until the data can be transmitted.

Flashing Blue then Flashing White

This indicates the scanner is in program mode. A razzberry tone indicates that an invalid bar code has been scanned in this mode.

or

If the unit is in sleep mode, each LED will flash once every 15 seconds.

Steady White, Blue Off

This indicates the scanner may be waiting for communication from the host.

Flashing Blue

This indicates there is an error active on the diagnostic indicator display (see Error Codes on page 33). The scanner may continue to operate depending on the type of error.

Steady Amber LED

The amber LED is illuminated when the scale is at zero.

Failure Modes

Flashing Blue and One Razzberry Tone

This indicates that the scanner has experienced a laser subsystem failure. The scanner will try up to 3 times to correct the failure condition. If the laser subsystem continues to fail, that subsystem (horizontal or vertical) will be shut down and an error indication will be shown on the Diagnostic Indicator Display. This error stays on the display until corrected. If the remaining subsystem is still operational, scanning will continue using the operational components.

Flashing Blue and White and Two Razzberry Tones

This indicates that the scanner has experienced a motor subsystem failure. The scanner will try up to 3 times to correct the failure condition. If the motor subsystem continues to fail, that subsystem (horizontal or vertical) will be shut down and an error indication will be shown on the Diagnostic Indicator Display. This error stays on the display until corrected. If the remaining subsystem is still operational, scanning will continue using the still operational components.

Continuous Razzberry Tone with Both LEDs Off

If, upon power up, the scanner emits a continuous razzberry tone, then the scanner has an electronic failure. Return the unit for repair at an authorized service center.

Three Beeps - On Power Up

If the scanner beeps 3 times on power up then, the nonvolatile memory that holds the scanner configuration has failed. Return the unit for repair at an authorized service center.

SCANNER OPERATION

INDICATOR DESCRIPTIONS

Diagnostic Indicator Display

There is a two-digit error code display located under horizontal output window near the Metrologic logo on the platter (see figure below).

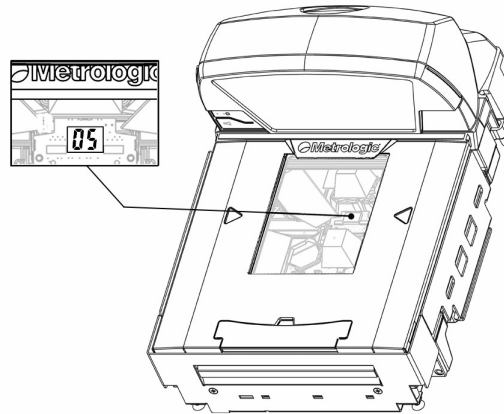


Figure 31. Error Code Display (Optional Product Roll Bar Shown)

The following is a list of possible error codes and their meanings. Some errors will require immediate scanner maintenance.

ERROR CODE	DESCRIPTION
01	Reserved
02	RAM ERROR – The scanner’s Random Access Memory (RAM) is tested as faulty. Return the unit for repair at an authorized service center.
03	PROGRAM ERROR – The scanner’s software program is failing. Return the unit for repair.
04	INTERFACE ERROR – After power up and any application exit (e.g. MetroSet, etc.), the scanner checks the interface hardware with that chosen in configuration. If they do not agree, an interface error exists. Correct this problem by getting the proper hardware interface OR programming StratosS configuration for the proper interface hardware attached.
05	CONFIGURATION ERROR – The non-volatile configuration memory did not agree with the data last saved. Default configuration data is then used and the scanner continues operating. This error is also accompanied by 3 beeps. This error will remain during operation as a reminder that this power cycle is scanning against a default-generated configuration.
06	COMMUNICATION ERROR – The RS232 data line is being held active. This causes the scanner to read a “break” signal constantly and continuous attempts are made to enter MetroSet configuration mode. A short on the RX Data line can cause this condition. It can also be the result of a laptop in power save mode. The scanner will abort attempts to enter configuration mode after a short timeout. The scanner can automatically recover from this condition once the short in the RX Data line is corrected.
09	COPROCESSOR COMMUNICATION ERROR – The main microprocessor is not communicating with the interface coprocessor. The interface coprocessor may be in a fault condition with the host or just not able to respond. This error may appear when the scanner is configured for USB or IBM interface applications or during an attempt to update the interface software through the flash utility. The unit should be repaired at an authorized service center.
11	SWITCH ERROR – The switch used for volume selection or sleep mode is detected in error (always closed). The condition is self-correcting if possible. If the error persists, return the unit for repair at an authorized service center. The scanning operation can continue with this error active.
12	Reserved

SCANNER OPERATION

INDICATOR DESCRIPTIONS

Diagnostic Indicator Display

ERROR CODE	DESCRIPTION
13	<p>SCALE ERROR The scanner does not communicate with the scale. Make sure there is nothing plugged into the '<i>Scale RS232 to Host</i>' port. If there is disconnect the cable, it may be causing the communication error. If there is still no communication between the scanner and scale return the unit to authorized service center for repair.</p>
14	<p>SCALE RETURN TO ZERO ERROR – The scale did not return to zero between scale weight requests if the zero checking function is enabled. The scale will need to be re-zeroed.</p>
21	<p>LASER #1 (VERTICAL) ERROR – The laser in the vertical scanning subsystem denotes a failure. The scanner will try three times to correct the laser operation. If the laser error persists, the vertical scanning subsystem will be shut down and this error code will remain on the Diagnostic Indicators.</p>
22	<p>LASER #2 (RIGHT HORIZONTAL) ERROR – The right laser in the horizontal scanning subsystem denotes a failure. The scanner will try three times to correct the laser operation. If the laser error persists, and the left horizontal laser (#3) is also in error, the horizontal scanning subsystem will be shut down and this error code will remain on the Diagnostic Indicators.</p>
23	<p>LASER #3 (LEFT HORIZONTAL) ERROR – The left laser in the horizontal scanning subsystem denotes a failure. The scanner will try three times to correct the laser operation. If the laser error persists, and the right horizontal laser (#2) is also in error, the horizontal scanning subsystem will be shut down and this error code will remain on the Diagnostic Indicators.</p>
24	<p>Laser #1 (Vertical) High Current Warning – The laser in the vertical scanning subsystem is drawing excessive current. This could be a warning for a future total failure. Have the unit checked at an authorized service center when convenient.</p>
25	<p>Laser #2 (Right Horizontal) High Current Warning – The laser in the vertical scanning subsystem is drawing excessive current. This could be a warning for a future total failure. Have the unit checked at an authorized service center when convenient.</p>
26	<p>Laser #3 (Left Horizontal) High current Warning – The laser in the vertical scanning subsystem is drawing excessive current. This could be a warning for a future total failure. Have the unit checked at an authorized service center when convenient.</p>

SCANNER OPERATION

INDICATOR DESCRIPTIONS

Diagnostic Indicator Display

ERROR CODE	DESCRIPTION
27	Laser #1 (Vertical) Undercurrent Warning – The laser in the vertical scanning subsystem is drawing too little current. The laser is probably not on. This could be the result of a loss of the required set point in memory. Have the unit checked at an authorized service center.
28	Laser #2 (right Horizontal) Undercurrent Warning – The laser in the right horizontal scanning subsystem is drawing too little current. The laser is probably not on. This could be the result of a loss of the required set point in memory. Have the unit checked at an authorized service center.
29	Laser #3 (Left horizontal) Undercurrent Warning – The laser in the left vertical scanning subsystem is drawing too little current. The laser is probably not on. This could be the result of a loss of the required set point in memory. Have the unit checked at an authorized service center.
31	MOTOR #1 (vertical) ERROR – The motor in the vertical scanning subsystem denotes a failure. The scanner will try three times to correct the motor operation. If the motor error persists, the vertical scanning subsystem will be shut down and this error code will remain on the Diagnostic Indicators.
32	MOTOR #2 (HORIZONTAL) ERROR – The motor in the horizontal scanning subsystem denotes a failure. The scanner will try three times to correct the motor operation. If the motor error persists, the horizontal scanning subsystem will be shut down and this error code will remain on the Diagnostic Indicators.
34	MOTOR #1 (VERTICAL) SPEED ERROR – The motor in the vertical section cannot be speed controlled as desired. Have the unit checked at an authorized service center.
35	MOTOR #2 (HORIZONTAL) SPEED ERROR – The motor in the horizontal section cannot be speed controlled as desired. Have the unit checked at an authorized service center.

SCANNER OPERATION

POWER SAVE MODES

The MS2220 has five configurable power save modes. Refer to the *MetroSelect Configuration Guide* for additional information on Power Save Modes.

1. **Blink Power Save Mode:**

Blinks the laser OFF & ON after a configured period of non-use.
When the scanner recognizes a bar code it will exit the Blink mode.

2. **Laser Off Power Save Mode:**

Turns the laser OFF after a configured period of non-use. The motor continues to spin allowing for a faster “wake” up time.

Any movement detected by the IR will “wake” the scanner from the *Laser Off* power save mode (see *Figure 29* on page 30).

3. **Laser & Motor Off Power Save Mode:**

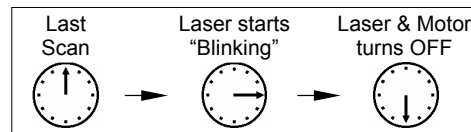
Turns the laser and motor OFF after a configured period of non-use.

Any movement detected by the IR will “wake” the scanner from the power save mode (see *Figure 29* on page 30). This mode’s “wake” time is slightly longer due to the motor’s need to restart.

4. **Dual Action Power Save Mode #1:**

“Blinks” the laser OFF & ON after a configured period of non-use; turns the laser and motor OFF at thirty-minute intervals.

Example:
If the power save timeout is set to 15 minutes.

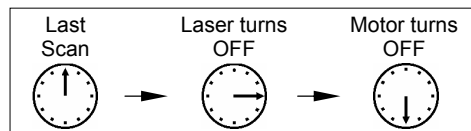


Any movement detected by the IR will “wake” the scanner from the power save mode (see *Figure 29* on page 30).

5. **Dual Action Power Save Mode #2 (Default):**

Turns the laser OFF after a configured period of non-use then turns the motor OFF after thirty-minute intervals.

Example:
If the power save timeout is set to 15 minutes.



Any movement detected by the IR will “wake” the scanner from the power save mode (see *Figure 29* on page 30).

SCANNER OPERATION

BEEPER OPTIONS AND BUTTON FUNCTIONS

Changing the Beeper Tone

Beeper tones may be configured incrementally using the following bar code. The new tone will be heard followed by a short pause. Two more new tones will be heard signifying the new setting has been stored in memory. The silent (no beep) tone is also selectable.



Changing the Beeper Volume

Volume levels may be configured using the volume button or incrementally using the following bar code. The new volume will be heard followed by a short pause. Two more tones will be heard signifying the new setting has been saved in memory. The silent (no volume) tone is also selectable.



The Multi-Functional Button

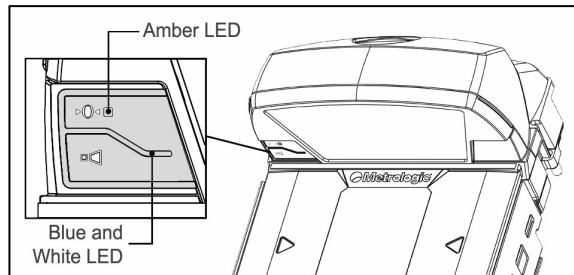


Figure 32. The Multi-Function Button

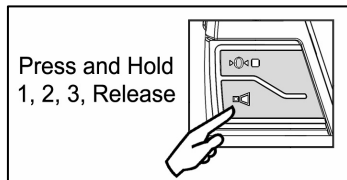


Figure 33. Changing the Beeper Volume

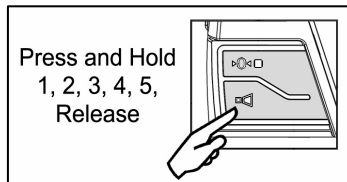


Figure 34. Laser & Motor Off Power Save Mode

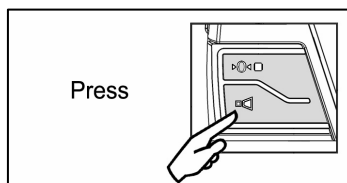


Figure 35. Normal Operation

Changing the Beeper Volume

A short (<3 second) depression and the beeper volume will change. The new volume will be heard. The silent (no beep) volume is also selectable.

Placing the Unit in Laser & Motor Off Power Save Mode

A long (>3 seconds) depression and the *Laser & Motor Off Power Save Mode* is the only power save mode that can be activated with the multi-function button.

* This feature is configuration dependant. Refer to the *MetroSelect Configuration Guide (MLPN 00-02407x)* under *Scanner Operation: Power Save Modes* to enable this feature.

Waking the Unit from All Power Save Modes

The next button depression will awaken the scanner for normal operation.

SCANNER OPERATION

STARTUP

When the scanner *first* receives power the white LED will flash, the blue LED will turn on and the scanner will beep once (*the white LED will remain on for the duration of the beep*). The scanner is now ready to scan.

POWER-UP TEST MODE

When a StratosS scanner is first powered up, it cycles through a number of self-tests before starting normal operation. If there are any initial failures during this sequence of tests the scanner will beep or razz to indicate the error and an error code will appear in the diagnostic indicator display.

The following are examples of the types of tests performed at power-up.

1. Memory tests
2. Hardware setup tests
3. Motor tests
4. Laser tests
5. Configuration tests
6. Interface tests
7. Scale tests

These tests are also performed on a periodic basis with the operator alerted to any failures.

CONFIGURATION MODE

All MS2220 series scanners have been configured at the factory with a set of default communication protocols. Since many host systems have unique formats and protocol requirements, Metrologic provides a wide range of configurable features that may be selected with the use of the MetroSelect[®] Configuration Guide (MLPN 00-02407.x), the MS2.x20 Stratos Series Scanner/Diva Scale Configuration Addendum (MLPN 00-02272.x) and MetroSet.

For a complete list of the factory default settings, refer to the *Default Settings* section of this guide.

SCALE OPERATION

SCALE ZEROING

After the unit has been officially calibrated (see page 40) the scale can be re-zeroed by pressing the scale zeroing button on either the unit or on the remote display stand. When the scale is at zero the amber LED will be illuminated.

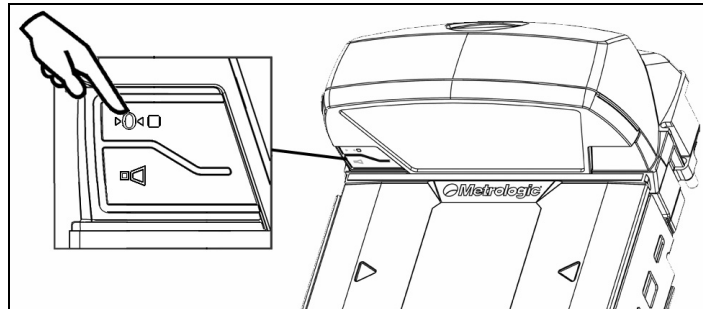


Figure 36. The scale zero button on scanner/scale.

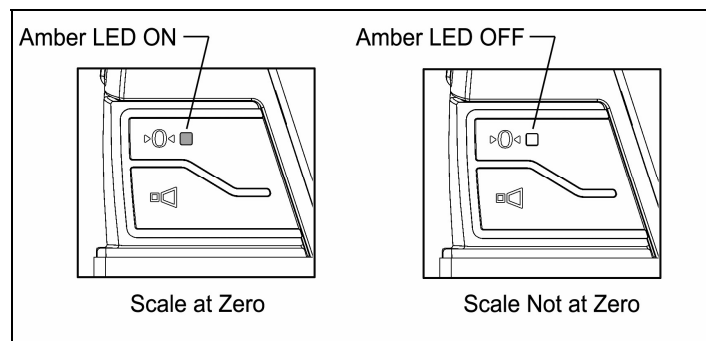


Figure 37. The scale zero indicator.



Figure 38. The scale zero button on the optional remote display.

SCALE OPERATION

CALIBRATION

The scanner/Diva scale must be calibrated if:

- it is a first time installation
- the scale cannot be re-zeroed
- the calibration verification tests indicate errors
- there is a change in the units of measure [i.e. from pounds (lbs.) to kilograms (kg)]
- if the scale load cell has been replaced
- the calibration seal is missing or torn



The certification of the weighing mechanism of the scale version of this scanner is subject to federal, state and local Weights and Measures statutes and regulations and can only be performed by authorized government agencies and/or their duly registered agents. Each time the scale or weighing mechanism is calibrated, it should be properly sealed with a paper seal or a wire seal prior to being placed into service in commerce.

It is the responsibility of the owner of the scale to confirm compliance with the relevant Weights and Measures statutes and regulations applicable in your area by checking with the appropriate government agency before placing a newly calibrated unit into service or removing any official seals.

Tools Required

- Field Standard 30.0 pound Weight Set **or** 15.0 kilogram Weight Set
- Phillips #1 Screw Driver
- Wire or Paper Seal



Type of seal to be used will depend on the guidelines specified by the local Weights and Measures authorities.

Scale Calibration Methods

- **Scale Calibration with Remote Display** uses the scale display to sequence through the calibration steps and store critical calibration points.
- **Bar Code Scale Calibration without Remote Display*** uses the scanner / scale *only* and assumes there is no remote scale display. A bar code is used to initiate the calibration sequence and the Multi-Functional Button (see page 37) is used to store critical range values.

* This calibration procedure will work with the remote display connected to the StratosS but no data will appear on the remote display.

SCALE OPERATION

CALIBRATION

Priming the Scale for Calibration (lbs. or kg)

Prime the scale before starting either method of calibration.



Calibrate the scanner/Diva scale **after** the unit is installed in the checkout countertop.



It is important to use the correct certified (lb. or kg.) field weight set when calibrating the scale.

1. Check the platter to ensure that nothing is interfering with its freedom to move. Assure that no debris is present from daily use of the scanner/Diva scale if it has been in service.

2. Apply power to the scanner/Diva scale.



See power source caution statement on page 10 of this manual.

3. Wait 5 minutes after power up before proceeding.

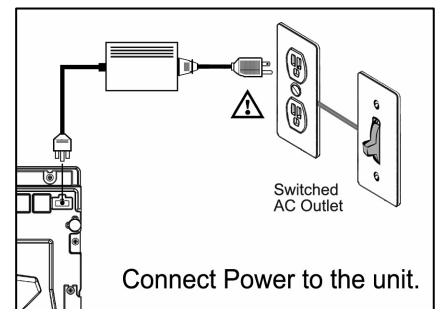


Figure 39. Power Up Unit

4. Place the 30.0 lb. weight or the 15 kg weight on the center of the scale. Allow the weight to settle.

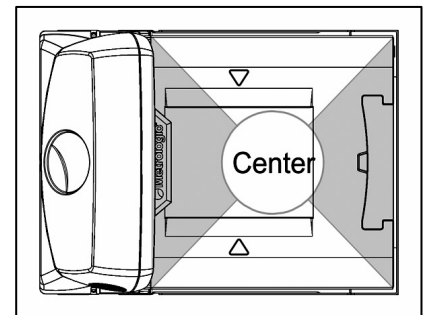


Figure 40. Scale Center

5. Remove the weight.

6. Repeat three times to prime the scale before calibration.

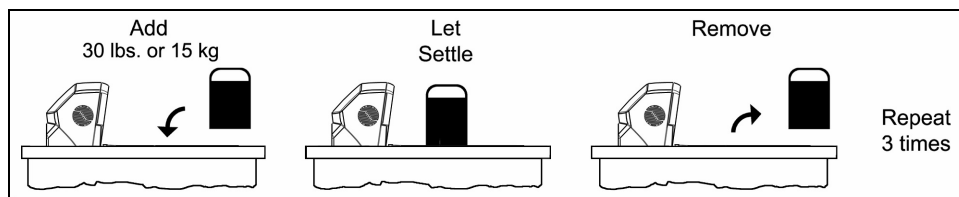


Figure 41. Priming the Scale for Calibration

SCALE OPERATION

CALIBRATION

Scale Calibration Procedure (lbs. or kg) with Remote Display*

1. Temporarily remove the platter and place it in a safe location.



It is the responsibility of the owner of the scale to confirm compliance with the relevant Weights and Measures statutes and regulations applicable in your area by checking with the appropriate government agency before placing a newly calibrated unit into service or removing any official seals.

2. If this is a currently installed scanner/Diva scale, there will be either an adhesive label seal or wire sealed cover over the scale calibration button. New installation units will only have a factory-applied adhesive seal covering the scale calibration button installed.
 - To remove the adhesive label seal, peel off the label and discard.
 - To remove the wire seal, cut the wire and discard. Fully loosen the security screw and lift off the cover. Place the security screw and cover in a safe location.

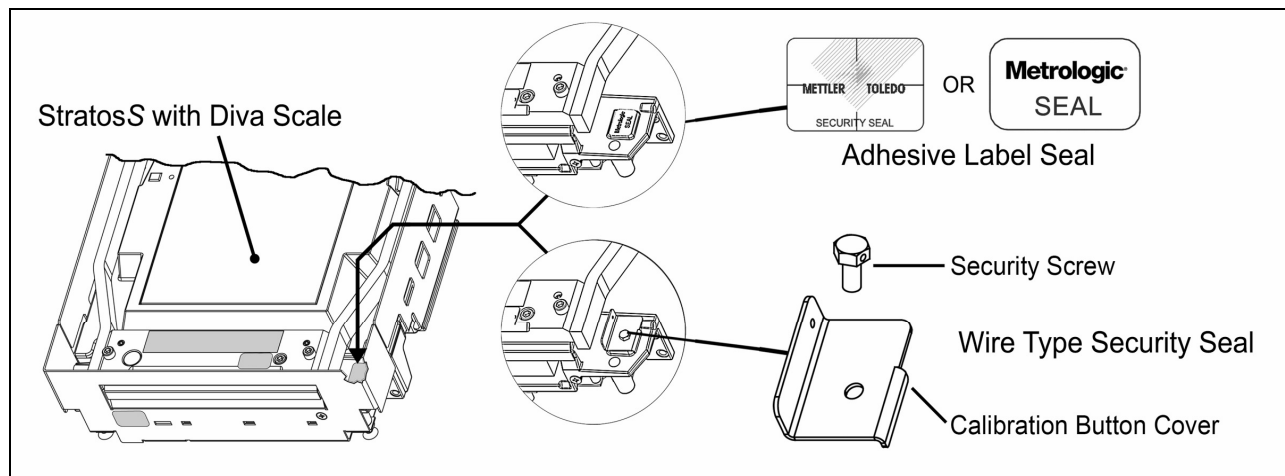


Figure 42. Diva Scale security seals

3. Press the calibration button to access the Service Mode. 'Cal' then 'Conf' will appear on the remote display.

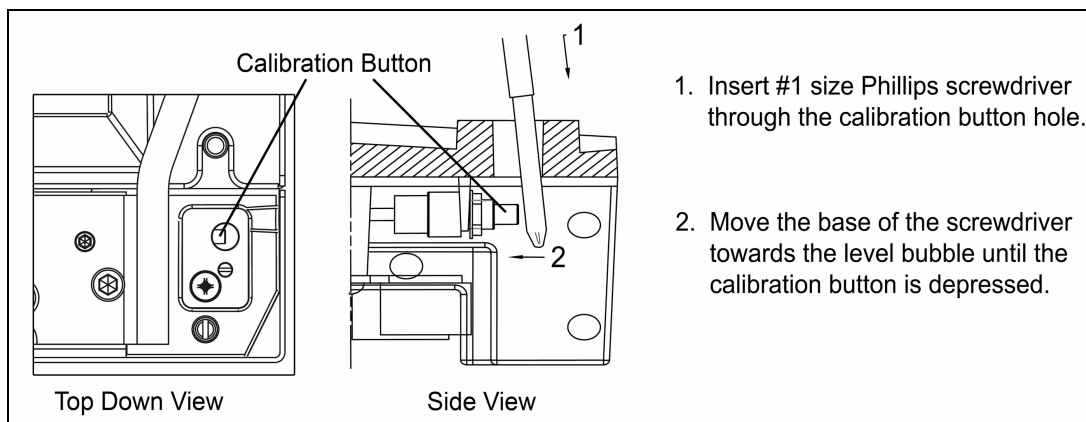


Figure 43. Enter Service Mode

* These procedures are for MS2220 StratosS Scanner/Diva Scale models only.

SCALE OPERATION

CALIBRATION

Scale Calibration Procedure (lbs. or kg) with Remote Display*

- Reinstall the platter onto the scanner/Diva scale.

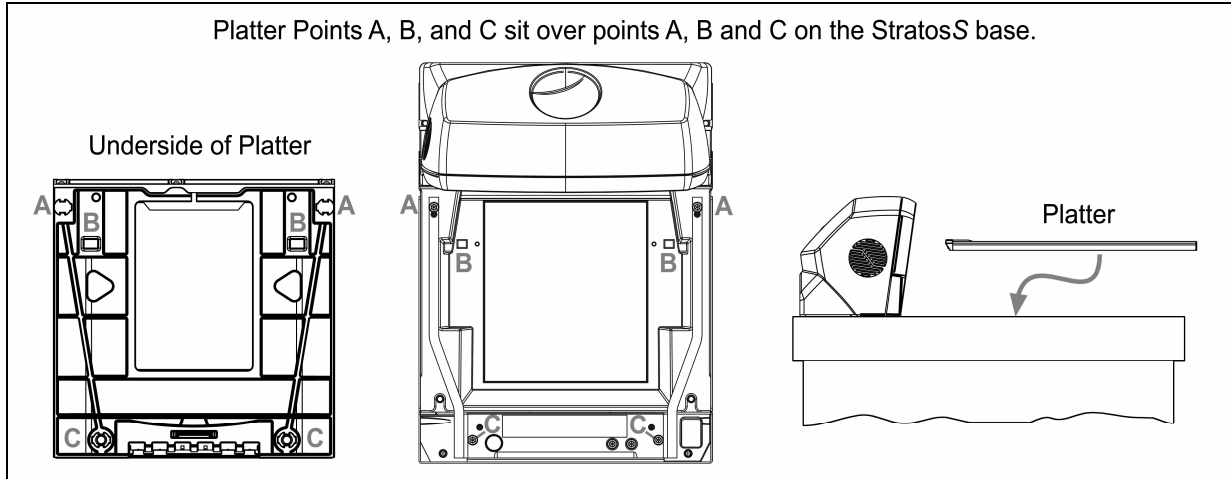


Figure 44. Install Platter

- Go to **Group 1 Step 8** (Weight Unit) of the Service Mode by pressing the Zero ($\rightarrow 0 \leftarrow$) key several times until 'Group 1 Step 8' is displayed on the Remote Scale Display screen (see Figure 45 below).

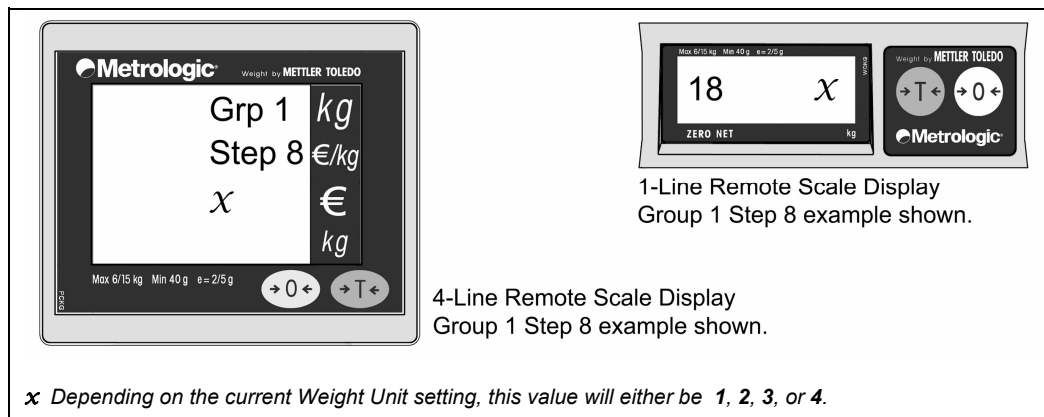


Figure 45. Remote Scale Display Group 1 Step 8 example shown

- Verify the weight unit setting.** Verify the Group 1 Step 8 setting using the table shown below. Press the Zero ($\rightarrow 0 \leftarrow$) key if correct. If the lb (Pounds) or kg (Kilograms) basic range setting needs to be changed, press the Tare ($\rightarrow T \leftarrow$) key to scroll through the selectable options. Press the Zero ($\rightarrow 0 \leftarrow$) key to accept the selected weight unit range.

Group 1 Step 8 (x)	Selectable Weight Unit Ranges
1	lbs range (0 to 30 lbs) **
2	kg range (0 to 15kg)
3	kg multi-interval (0 to 6kg, 6 to 15kg) **
4	lbs multi-interval (0 to 15 lbs, 15 to 30 lbs)

** Common ranges used as default setting.


* These procedures are for MS2220 StratosS Scanner/Diva Scale models only.

SCALE OPERATION


CALIBRATION

Scale Calibration Procedure (lbs. or kg) with Remote Display

7. Go to **Group 2 Step 6** (Calibration) of the Service Mode. Press the Tare (⊖T⊕) key to advance to Group 2, then use the Zero (⊕0⊖) key to advance to step 6 of group 2.
8. Press the Tare (⊖T⊕) key to change the prompt to 'YES'.
9. Press the Zero (⊕0⊖) key to accept.
10. The display will now show "- - - - -". This indicates the scale is ready to take a zero reading. Check the platter to ensure that it is seated properly and nothing is touching or interfering with its freedom to move.
11. Press the Zero (⊕0⊖) key to accept and begin taking the Zero Capacity calibration reading.

 If the scale is unable to capture a stable reading it will not store any value and advance to the next step. Verify nothing is touching or interfering with the scale and/or platter.

12. Once the calibration reading has been successfully taken, the display will now show "**FULCAP**" (Full Capacity). Place the Full Capacity weight, either 15kg or 30lb (whichever matches the scales selected Weight Unit), on the center of the scale platter. Wait at least 3 seconds for the scale to stabilize.
13. Press the Zero (⊕0⊖) key to accept and begin taking the Full Capacity calibration reading.

 If the scale is unable to capture a stable reading it will not store any value and advance to the next step. Verify nothing is touching or interfering with the scale and/or platter.

14. Once the calibration reading has been successfully taken, the display will now show "**UNLOAD**" (Zero Capacity). **Remove all weight** from the platter at this time. Wait at least 3 seconds for the scale to stabilize.
15. Press the Zero (⊕0⊖) key to accept and begin taking the final Zero Capacity calibration reading.
16. The display will now begin the initialization sequence and return to the normal weighing mode in the weight units calibrated.
17. The unit's calibration must now be verified as required by state and/or local Weight and Measures regulations (starting on Page 49).

Need to Start Over?

If for any reason you need to restart the calibration process, restart at Step 1 on page 42.

** These procedures are for MS2220 StratosS Scanner/Diva Scale models only.*

SCALE OPERATION

CALIBRATION

Bar Code Calibration Procedure without Remote Display*

The following calibration procedure can be used when the remote scale display is not present. The Multi-Function Button (see page 37) is used to advance to the next stage of calibration and the LED display notifies the operator which 'calibration stage' is active.

1. Temporarily remove the platter and place it in a safe location.



It is the responsibility of the owner of the scale to confirm compliance with the relevant Weights and Measures statutes and regulations applicable in your area by checking with the appropriate government agency before placing a newly calibrated unit into service or removing any official seals.

2. If this is a currently installed scanner/Diva scale, there will be either an adhesive label seal or wire sealed cover over the scale calibration button. New installation units will only have a factory-applied adhesive seal covering the scale calibration button installed.
 - To remove the adhesive label seal, peel off the label and discard.
 - To remove the wire seal, cut the wire and discard. Fully loosen the security screw and lift off the cover. Place the security screw and cover in a safe location.

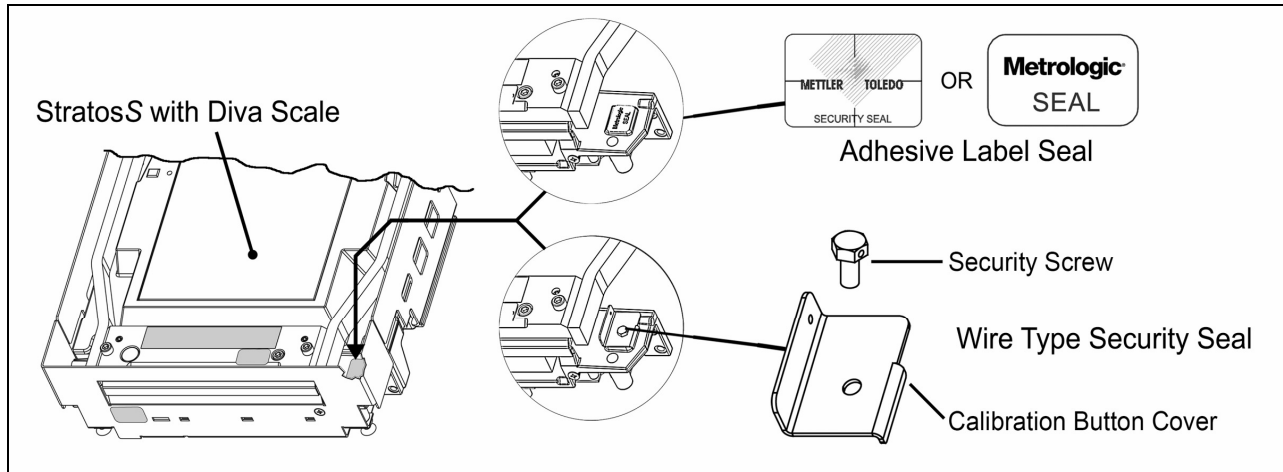


Figure 46. Diva Scale security seals

3. **Enter the scale program mode.** Press the calibration button to engage the scale calibration mode. *If the system is a dual cable system, disconnect the host to scale RS232 cable from the unit.*

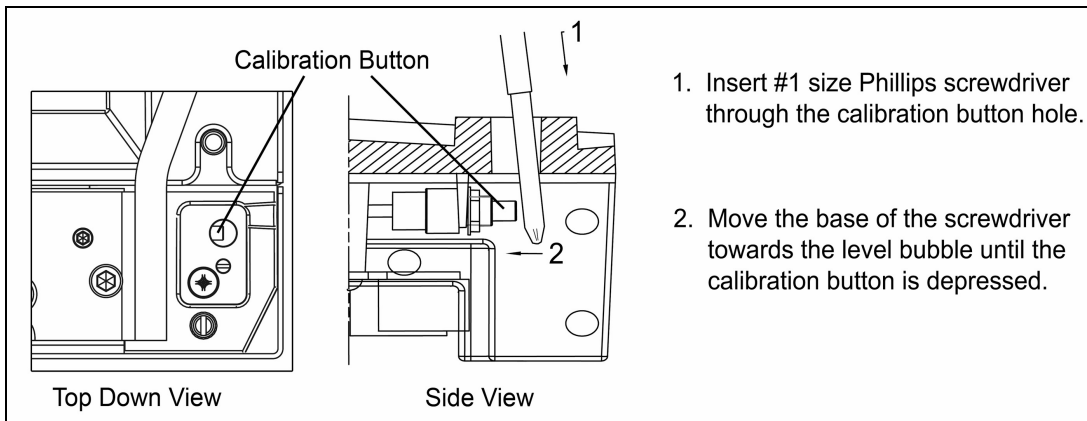


Figure 47. Entering the Scale Program Mode

* These procedures are for MS2220 StratosS Scanner/Diva Scale models only.

SCALE OPERATION

CALIBRATION

Bar Code Calibration Procedure without Remote Display*

4. Reinstall the platter onto the scanner/Diva scale (see *Figure 48*).

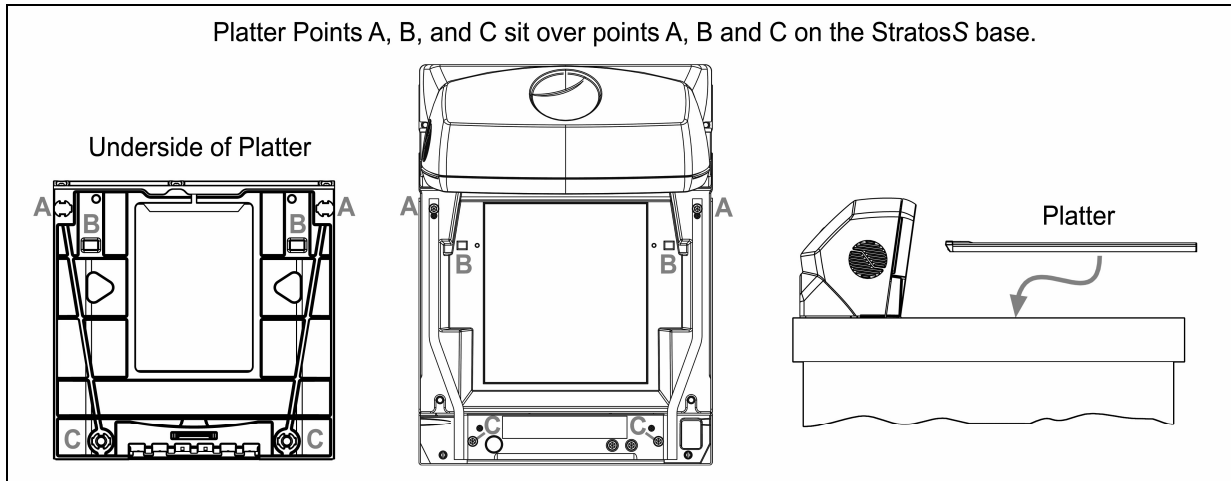


Figure 48. Platter Installation

5. **Enter bar code calibration mode.** Use the vertical window to scan one of the following bar codes, whichever weight units (either pounds or kilograms) the scanner/Diva scale will be operating in. The scanner will beep once as it enters the bar code calibration mode and the calibration utility will start.

Unit Calibration (Pounds)

For Kilogram weight units see instructions on page 47.

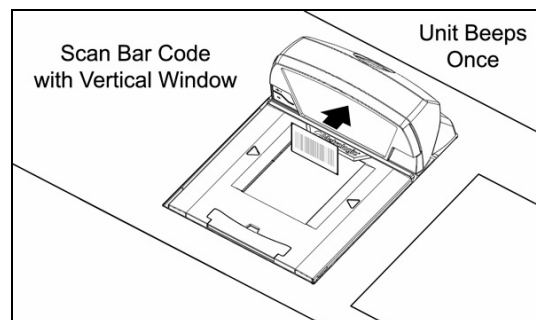


Figure 49. Entering Bar Code Calibration Mode (Pounds)



If a razz tone sounds, an error has occurred. Refer to *Diagnostic Indicator Display; Error Codes* starting on page 33 for additional information.

* These procedures are for MS2220 StratosS Scanner/Diva Scale models only.

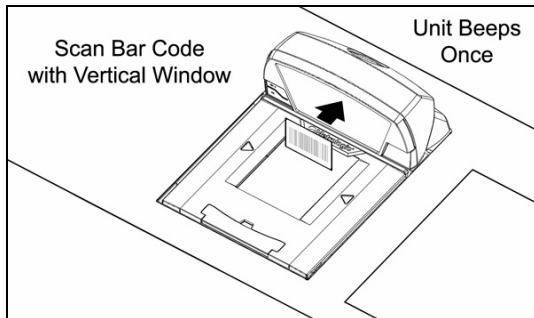
SCALE OPERATION

CALIBRATION

Bar Code Calibration Procedure without Remote Display*

Unit Calibration (Kilograms)

For Pound weight units see instructions on page 46.



Kilograms Calibration

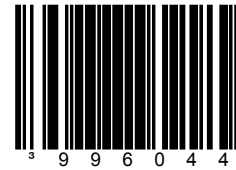


Figure 50. Entering Bar Code Calibration Mode (Kilograms)



If a razz tone sounds, an error has occurred. Refer to *Diagnostic Indicator Display; Error Codes* starting on page 33 for additional information.

* These procedures are for MS2220 StratosS Scanner/Diva Scale models only.

SCALE OPERATION

CALIBRATION

Bar Code Calibration Procedure without Remote Display*

6. Make sure there is **no load** on the scale platter. The white LEDs will be used to indicate the current step in the calibration process.
7. **Calibrate a zero load.** The white LEDs will blink once periodically. Wait 8 to 10 seconds for scale stability, and then press the Multi-Function Button once. After the Multi-Function Button has been pressed, there will be a short delay followed by 1 short beep indicating that the zero load value has been stored.

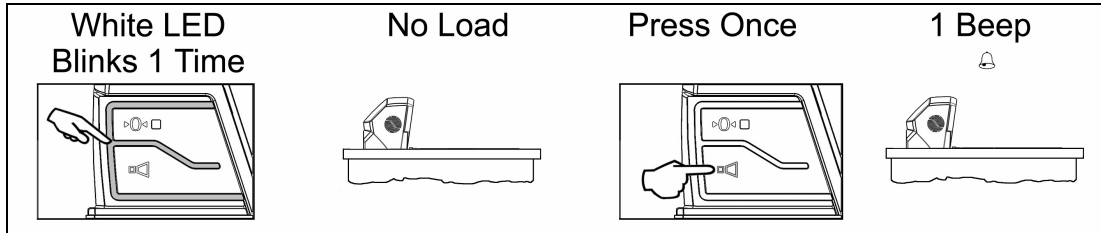


Figure 51.

8. Place a **FULL Load** on the center of the scale platter. The white LEDs will blink 3 times periodically. Wait at least 3 seconds for scale stability, and then press the Multi-Function Button once. After the Multi-Function Button has been pressed, there will be a short delay followed by 3 short beeps indicating that the FULL Load value has been stored.

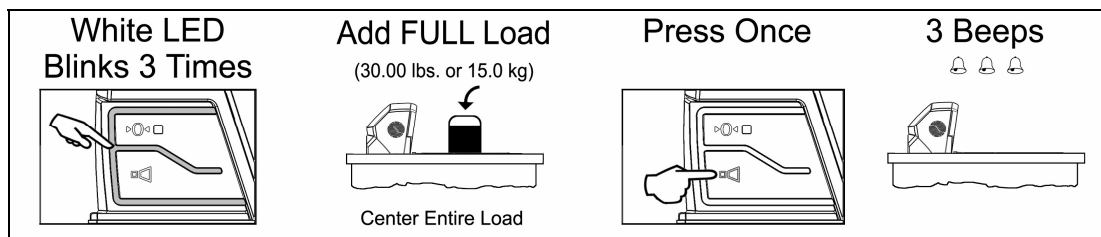


Figure 52.

9. Remove the entire load from the scale platter. The white LEDs will blink 5 times periodically. Wait at least 3 seconds for scale stability, and then press the Multi-Function Button once. After the Multi-Function Button has been pressed, there will be a short delay followed by 5 short beeps indicating that the zero load value has been stored.

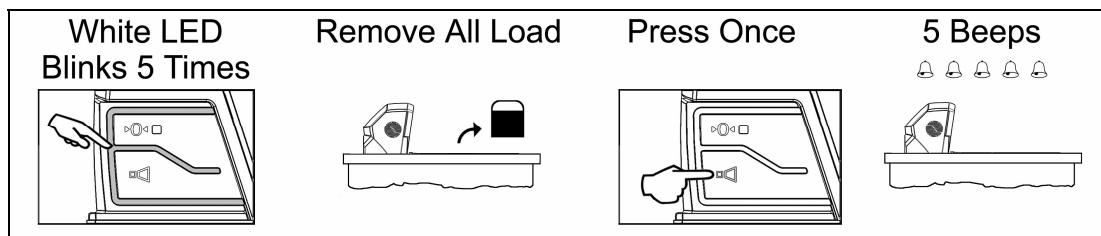


Figure 53.

10. Calibration process is now complete. The scanner will automatically restart, and beep one time, in approximately 12 seconds.
11. Verify the calibration was successful with the calibrated weight. If the scale display does not accurately show the calibrated load weight correctly, restart this procedure from Step 1 on page 45.
12. The unit's calibration must now be verified as required by state and/or local Weight and Measures regulations (starting on Page 49).

* These procedures are for MS2220 StratosS Scanner/Diva Scale models only.

SCALE OPERATION

CALIBRATION VERIFICATION

U.S. Pounds (lbs.)

The following tests verify if the scale's Calibration is accurate. For Kilograms see instructions starting on page 50.



The following tests are based on a 2-digit accuracy setting for pounds.

- Increasing Load Test
- Shift Test
- Decreasing Load Test
- Return to Zero Test

Increasing Load Test

1. Ensure there is no load on the scale platter and verify the remote display reads 0.00 lbs.
2. Place a 5.00 lb. weight on the center of the scale platter and verify the display reads 5.00 lbs.
3. Place an additional 5.00 lb. weight on the center of the scale platter and verify the remote display reads between 9.99 and 10.01 lbs.
4. Place an additional 10.00 lb. weight on the center of the scale platter and verify the remote display reads between 19.99 and 20.01 lbs.
5. Place an additional 10.00 lb. weight on the center of the scale platter and verify the remote display reads between 29.99 and 30.01 lbs.
6. Remove all the weight from the scale platter and verify the display reads 0.00 lbs.

Shift Test

1. Ensure there is no load on the scale platter and verify the remote display reads 0.00 lbs.
2. Place a 15.00 lb. weight on the scale platter in the center of zone A (see diagram) and verify the remote display reads between 14.99 and 15.01 lbs.
3. Remove the 15.00 lb. weight and verify the display reads 0.00 lbs.
4. Repeat steps 2 and 3 for each of the remaining zones (B, C, and D).
5. Verify that the remote display reads 0.00 lbs. when all weight has been removed.

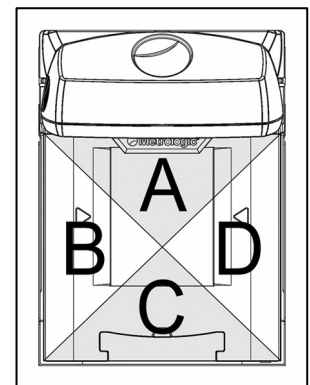


Figure 54. Shift Test Zones

Decreasing Load Test

1. Ensure there is no load on the scale platter and verify the remote display reads 0.00 lbs.
2. Place a 30.00 lb. load on the center of the scale platter (use two 10.00 lb. weights and two 5.00 lb. weights). Verify the remote display reads between 29.99 and 30.01 lbs.
3. Remove a 10.00 lb. weight from the platter and center remaining weight. Verify that the remote display reads between 19.99 and 20.01 lbs.
4. Remove another 15.00 lbs. from the platter, center the remaining weight and verify the scale reads 5.00 lbs.
5. Remove all the weight from the platter and verify the scale has returned to 0.00 lbs.

Return to Zero Test

1. Ensure there is no load on the scale platter and verify the remote display reads 0.00 lbs.

SCALE OPERATION

CALIBRATION VERIFICATION

Kilograms (kg)

The following tests verify if the scale's Calibration is accurate. For US Pounds see instructions starting on page 49.



The following tests are based on a 3-digit accuracy setting for kilograms.

- Increasing Load Test
- Shift Test
- Decreasing Load Test
- Return to Zero Test

Increasing Load test

1. Ensure there is no load on the scale platter and verify the remote display reads 0.000 kg.
2. Place a 2.500 kg weight on the center of the scale platter and verify the display reads 2.500 kg.
3. Place an additional 2.500 kg weight on the center of the scale platter and verify the remote display reads between 4.995 kg and 5.005 kg.
4. Place an additional 5.000 kg weight on the center of the scale platter and verify the remote display reads between 9.995 kg. and 10.005 kg.
5. Place an additional 5.000 kg weight on the center of the scale platter and verify the remote display reads between 14.995 kg. and 15.005 kg.
6. Remove all the weight from the scale platter and verify the display reads 0.000 kg.

Shift Test

1. Ensure there is no load on the scale platter and verify the remote display reads 0.000 kg.
2. Place a 7.500 kg weight on the scale platter in the center of zone A (see diagram) and verify the remote display reads between 7.495 kg. and 7.505 kg.
3. Remove the 7.500 kg weight and verify the display reads 0.000 lbs.
4. Repeat steps 2 and 3 for each of the remaining zones (B, C, and D).
5. Verify that the remote display reads 0.000 kg when all weight has been removed.

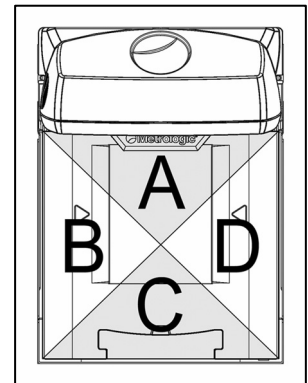


Figure 55. Shift Test Zones

Decreasing Load Test

1. Ensure there is no load on the scale platter and verify the remote display reads 0.000 kg.
2. Place a 15.000 kg load on the center of the scale platter. Verify the remote display reads between 14.995 kg. and 15.005 kg.
3. Remove 7.500 kg from the platter and center remaining weight. Verify that the remote display reads between 7.495 kg. and 7.505 kg.
4. Remove another 5.000 kg from the platter, center remaining weight and verify the scale reads 2.500 kg.
5. Remove all the weight from the platter and verify the scale has returned to 0.000 kg.

Return to Zero Test

1. Ensure there is no load on the scale platter and verify the remote display reads 0.000 kg.

SCALE OPERATION

SECURITY SEAL INSTALLATION

i The certification of the weighing mechanism of the scale version of this scanner is subject to federal, state and local Weights and Measures statutes and regulations and can only be performed by authorized government agencies and/or their duly registered agents. Each time the scale or weighing mechanism is calibrated, it should be properly sealed with a paper seal or a wire seal prior to being placed into service in commerce.

It is the responsibility of the owner of the scale to confirm compliance with the relevant Weights and Measures statutes and regulations applicable in your area by checking with the appropriate government agency before placing a newly calibrated unit into service or removing any official seals.

Type of seal to be used will depend on the guidelines specified by the local Weights and Measures authorities.

The security seal must only be installed if there were no errors during the scale calibration verification tests.

Pressure Sensitive Security Seal

1. Temporarily remove the platter and place it in a safe location.
2. Apply the adhesive calibration security seal over the calibration button access hole (see *Figure 56*).

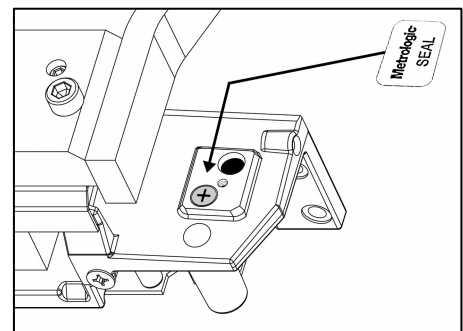


Figure 56.

3. With very light pressure, push down on the adhesive calibration security seal label to ensure a firm adhesion is created (see *Figure 57*).

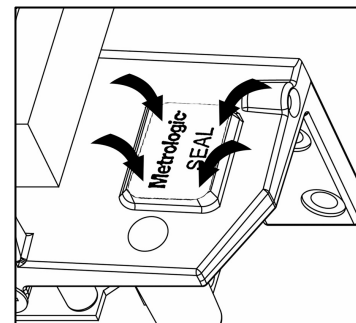


Figure 57.

4. Reinstall the platter.

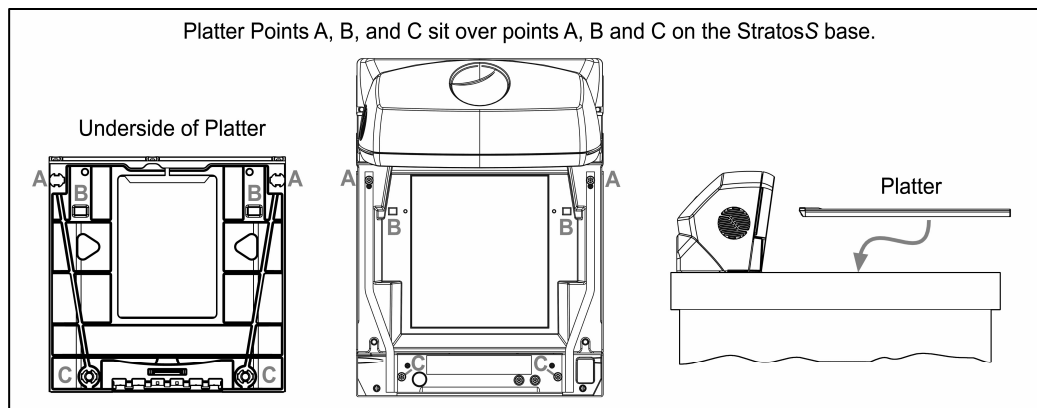


Figure 58. Platter Installation

* These procedures are for MS2220 StratosS Scanner/Diva Scale models only.

SCALE OPERATION

SECURITY SEAL INSTALLATION

Wire Security Seal (Seal Conversion Kit MLPN 46-00359)*

1. Temporarily remove the platter and place it in a safe location.
2. Install the calibration button sealing cover and through-hole sealing screw.
3. Tighten the screw and route the wire seal through the holes in the plate and screw.

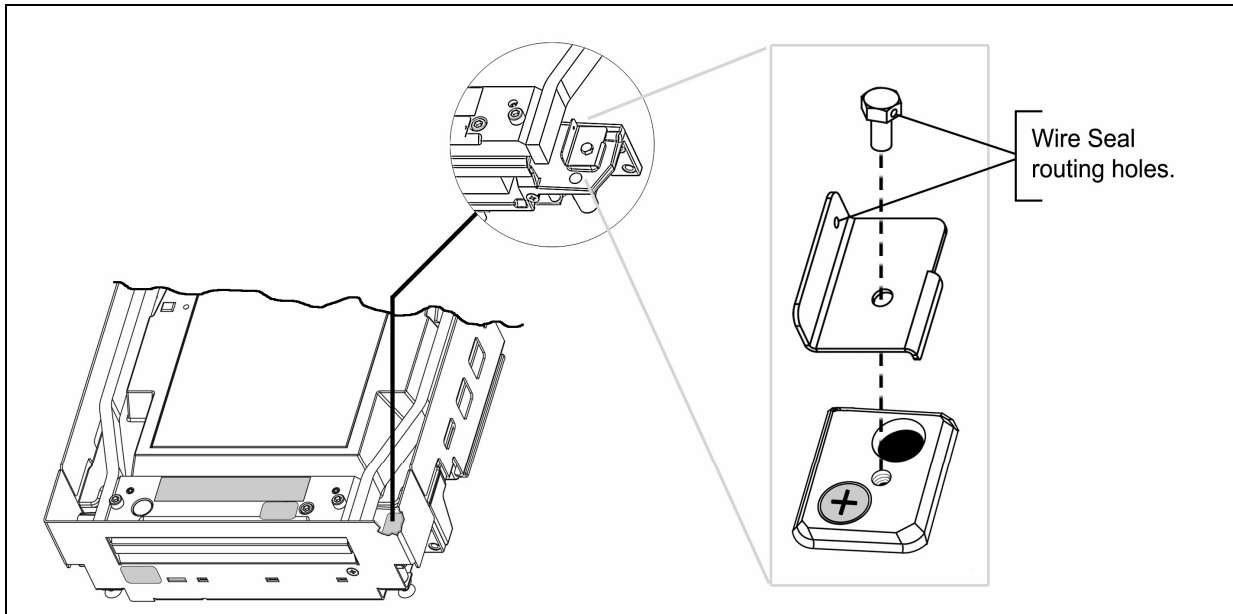


Figure 59. Calibration Switch/Button Wire Security Seal Assembly

4. Leaving the least amount of slack in the wire loop as possible, close the wire seal and verify the seal connection is secure.
5. Reinstall the platter.

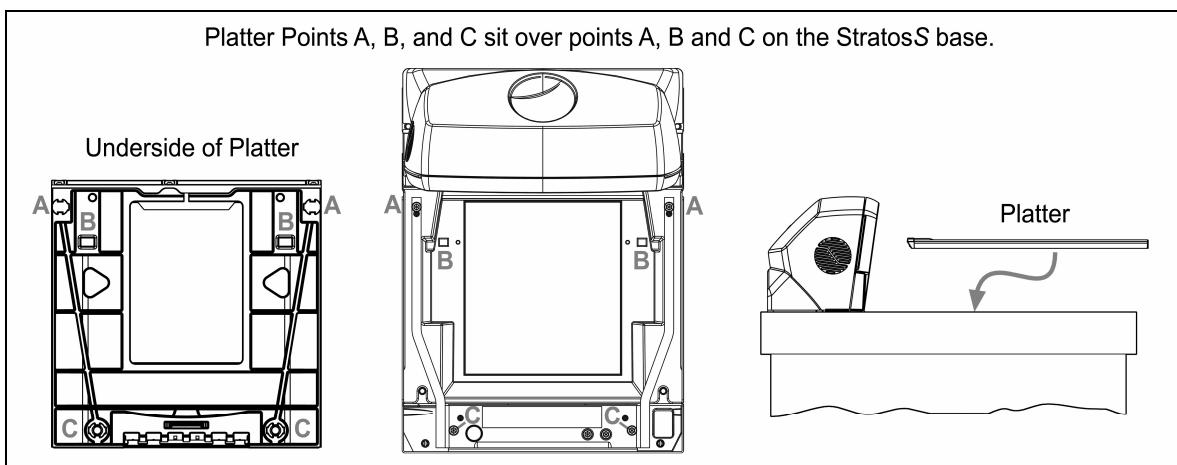


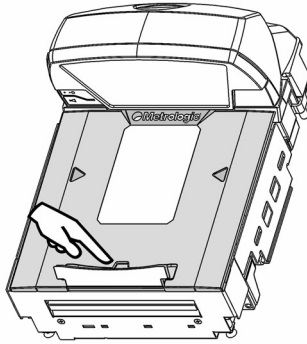
Figure 60. Platter Installation

* These procedures are for MS2220 StratosS Scanner/Diva Scale models only.

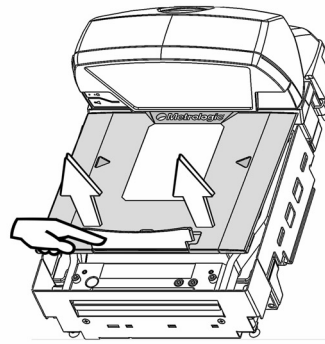
HORIZONTAL SCAN WINDOW REPLACEMENT

Platter/Horizontal Scan Window Removal

Unlatch the Platter List Handle (Use finger recess)



Lift Platter up by the open Lift Handle.



Platter/Horizontal Scan Window Installation

When installing the platter, it is important to ensure the platter is positioned properly. Carefully align the platter points shown below with the matching points indicated on the unit base. No hardware is required for platter installation.

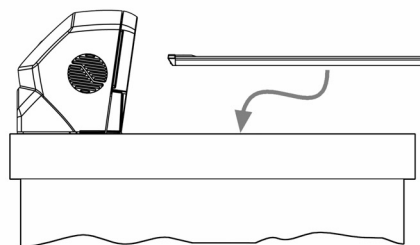
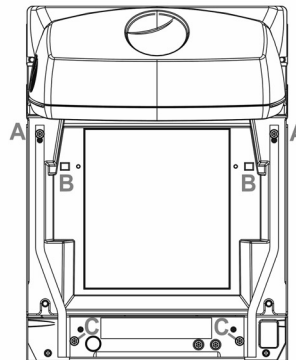
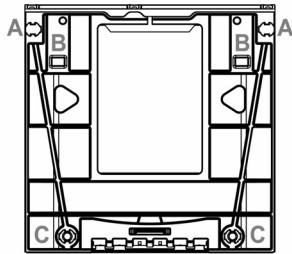


Figure 61. Platter/Horizontal Scan Window Replacement

* See replacement parts on page 4.

MAINTENANCE

VERTICAL SCAN WINDOW REPLACEMENT (MLPN 46-00232)

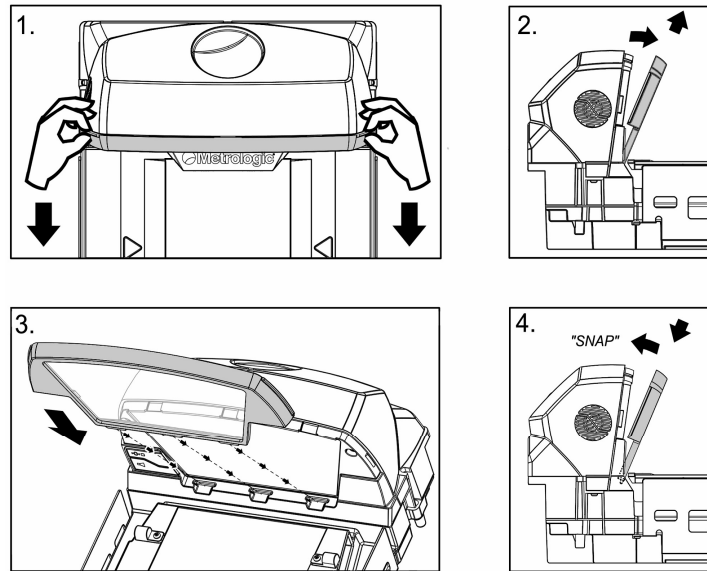


Figure 62. Vertical Scan Window Replacement

DAILY MAINTENANCE

Smudges and dirt can interfere with the proper scanning of a bar code. Therefore, the horizontal and vertical output windows will need occasional cleaning.

For the glass window:

1. Spray glass cleaner onto lint free, non-abrasive cleaning cloth.
2. Gently wipe the scanner window.

For the inner plastic window:

1. Use mild soap and water with lint free, non-abrasive cleaning cloth.
2. Gently wipe the scanner window.

For scaled StratosS units, routinely check and clean the base unit to ensure that no debris is interfering with the platter movement.

TROUBLESHOOTING

The following guide is for reference purposes only. Contact a Metrologic representative at 1-800-ID-METRO or 1-800-436-3876 to preserve the limited warranty terms.

Symptom	Possible Cause(s)	Solution
All Interfaces		
No LEDs, beep or motor spin.	No power is being supplied to the scanner.	Check the transformer, outlet and the power strip. Make sure the power cable is plugged into the scanner.
No LEDs, and no beep.	No power is being supplied to the scanner.	The host system cannot supply enough current to power the MS2220 series scanner. Use the power supply included with the scanner.
During power up the unit beeps 3 times.	A Non-volatile RAM failure.	Contact a Metrologic service representative, if the unit will not hold the configuration.
During power up the unit razzes continuously.	A RAM or ROM failure.	Contact a Metrologic service representative, if the unit will not function.
During power up the unit razzes once and the blue LED flashes.	A VLD failure.	Contact a Metrologic service representative.
During power up the unit razzes twice and both LEDs flash.	Scanner motor failure.	Contact a Metrologic service representative.
There are multiple scans upon presentation of code.	The <i>same symbol timeout</i> is set to short.	Adjust same symbol timeout for a longer time.
The unit powers up but does not beep.	The beeper is disabled.	Enable the beeper.
	No volume is selected.	Select a volume.
	No tone is selected.	Select a tone.
The unit powers up but does not scan and/or beep.	The unit is trying to scan a particular symbology that is not enabled.	UPC/EAN and Code 128 are enabled by default. Verify that the type of bar code being read has been selected.
	The unit has been configured for a character length lock or a minimum length and the bar code being scanned does not satisfy the configured criteria.	Verify that the bar code that is being scanned falls into the criteria. Typical of Non-UPC/EAN codes. The scanner defaults to a minimum of 4 character bar code.

TROUBLESHOOTING

Symptom	Possible Cause(s)	Solution
All Interfaces		
The unit scans a bar code, but locks up after the first scan (<i>the white LED stays on</i>).	The scanner is configured to support some form of host handshaking but is not receiving the signal.	If the scanner is setup to support ACK/NAK, RTS/CTS, XON/XOFF or D/E, verify that the host cable and host are supporting the handshaking properly.
The unit scans but the data transmitted to the host is incorrect.	The scanner's data format does not match the host system requirements.	Verify that the scanner's data format matches that required by the host. Make sure that the scanner is connected to the proper host port.
Scanner beeps at some bar codes and NOT from others of the same bar code symbology.	The print quality of the bar code is suspect.	The type of printer and/or the printer settings could be the problem. Check the print mode or change the printer settings. For example change to a higher print quality or DPI resolution.
	Check the character length lock.	
	The aspect ratio of the bar code is out of tolerance.	
The unit powers up but does not scan and/or beep.	The unit is trying to scan a particular symbology that is not enabled.	UPC/EAN and Code 128 are enabled by default. Verify that the type of bar code being read has been selected.
	The unit has been configured for a character length lock or a minimum length and the bar code being scanned does not satisfy the configured criteria.	Verify that the bar code that is being scanned falls into the criteria. <i>Typical of Non-UPC/EAN codes. The scanner defaults to a minimum of 4 character bar code.</i>
The unit beeps at some bar codes but NOT for others of the same bar code symbology.	The bar code may have been printed incorrectly.	Check if it is a check digit, character or border problem.
	The scanner is not configured correctly for this type of bar code.	Check if check digits are set properly.
	The minimum symbol length setting does not work with the bar code.	Check if the correct minimum symbol length is set.

TROUBLESHOOTING

Symptom	Possible Cause(s)	Solution
RS232 Only		
The unit powers up OK and scans OK but does not communicate properly to the host.	The com port at the host is not working or is not configured properly.	Check to make sure that the baud rate and parity of the scanner and the communication port match and the program is looking for RS232 data.
	The cable is not connected to the proper com port.	
	The com port is not operating properly.	
The host is receiving data but the data does not look correct.	The scanner and host may not be configured for the same interface.	Check that the scanner and the host are configured for the same interface.
Characters are being dropped.	The intercharacter delay needs to be added to the transmitted output.	Add some intercharacter delay to the transmitted output by using the MetroSelect Configuration Guide (MLPN 00-02407.x).
Aux Port Operation With Any Interface		
The secondary scanner is not functioning.		Refer to the user's guide provided with the secondary scanner.
The secondary scanner powers up but data is not relayed to the host.	The secondary scanner cable may not be connected to the proper port on the StratosS.	Ensure that the secondary scanner is connected to the MS2220 com port marked "Aux" port.
	The auxiliary com port may not be operating properly.	* The MS2220 series must be configured to enable the auxiliary port.
		The auxiliary input port's data format must match the main output format of the secondary scanner.
* Refer to the MS2.x20 Stratos Series Scanner/Diva Scale Configuration Addendum (MLPN 00-02272.x) under Scanner Configuration Bar Codes: Auxiliary Port, Quick Start for a Secondary Metrologic Scanner.		

TROUBLESHOOTING

RS232 DEMONSTRATION PROGRAM

If an RS232 scanner is not communicating with your IBM compatible PC, key in the following BASIC program to test that the communication port and scanner are working. This program is for demonstration purposes only. It is only intended to prove that cabling is correct, the com port is working, and the scanner is working. If the bar code data displays on the screen while using this program, it only demonstrates that the hardware interface and scanner are working. At this point, investigate whether the application software and the scanner configuration match. If the application does not support RS232 scanners, a software wedge program that will take RS232 data and place it into a keyboard buffer may be needed. This program tells the PC to ignore RTS-CTS, Data Set Ready (DSR) and Data Carrier Detect (DCD) signals. If the demonstration program works and yours still does not, jumper RTS to CTS and Data Terminal Reading (DTR) to DCD and DSR on the back of your PC.

```
10 CLS
20 ON ERROR GOTO 100
30 OPEN "COM1:9600,S,7,1,CS0,DS0,CD0,LF" AS #1
35 PRINT "SCAN A FEW BAR CODES"
40 LINE INPUT #1, BARCODE$
50 PRINT BARCODE$
60 K$ = INKEY$: IF K$ = CHR$(27) THEN GOTO 32766
70 GOTO 40
100 PRINT "ERROR NO. "; ERR; " PRESS ANY KEY TO TERMINATE."
110 K$ = INKEY$: IF K$ = "" THEN GOTO 110
32766 CLOSE: SYSTEM
32767 END
```

DEFAULT SETTINGS

COMMUNICATION PARAMETERS

Many functions of the scanner can be "configured" - that is, enabled or disabled. The scanner is shipped from the factory pre-configured to a set of default conditions. The default parameter of the scanner has an asterisk (*) in the charts on the following pages. If an asterisk is not in the default column then the default setting is Off or Disabled. Every interface does not support every parameter. If the interface supports a parameter listed in the charts on the following pages, a check mark will appear.

PARAMETER	DEFAULT	OCIA	RS232	IBM 46xx	USB
UPC/EAN	*	✓	✓	✓	✓
Code 128	*	✓	✓	✓	✓
Code 93		✓	✓	✓	✓
Codabar		✓	✓	✓	✓
Interleaved 2 of 5 (ITF)		✓	✓	✓	✓
MOD 10 Check on ITF		✓	✓	✓	✓
Code 11		✓	✓	✓	✓
Code 39		✓	✓	✓	✓
Full ASCII Code 39		✓	✓	✓	✓
MOD 43 CD on Code 39		✓	✓	✓	✓
Transmit Mode 43 CD		✓	✓	✓	✓
Paraff		✓	✓	✓	✓
Paraff Lead "A"		✓	✓	✓	✓
Allow Paraff Failures		✓	✓	✓	✓
French PC Terminal			✓		
MSI-Plessey		✓	✓	✓	✓
Airline (15 digit) 2 of 5		✓	✓	✓	✓
Airline (13 digit) 2 of 5		✓	✓	✓	✓
Matrix 2 of 5		✓	✓	✓	✓
Telepen		✓	✓	✓	✓
UK Plessey		✓	✓	✓	✓
STD 2 of 5		✓	✓	✓	✓
MSI-Plessey 10/10 Check Digit		✓	✓	✓	✓
MSI-Plessey MOD 10 Check Digit		✓	✓	✓	✓
ITF Symbol Lengths	Variable	✓	✓	✓	✓
ITF Minimum Symbol Length	6	✓	✓	✓	✓
Symbol Length Lock	None	✓	✓	✓	✓
Minimum Symbol Length	4	✓	✓	✓	✓
Trioptic		✓	✓	✓	✓
RSS14 Enable		✓	✓	✓	✓
RSS14 ID "je0"	*	✓	✓	✓	✓
RSS14 App ID "01"	*	✓	✓	✓	✓
RSS14 Check Digit	*	✓	✓	✓	✓

DEFAULT SETTINGS

COMMUNICATION PARAMETERS

PARAMETER	DEFAULT	OCIA	RS232	IBM 46xx	USB
RSS Expanded Enable		✓	✓	✓	✓
Expanded ID "Je0"	*	✓	✓	✓	✓
RSS Limited Enable		✓	✓	✓	✓
RSS Limited ID "Je0"	*	✓	✓	✓	✓
RSS Limited App ID "01"	*	✓	✓	✓	✓
RSS Limited Check Digit	*	✓	✓	✓	✓
DTS/SIEMENS		✓			
DTS/NIXDORF	*	✓			
NCR F		✓			
NCR S		✓			
Beeper Tone	Normal	✓	✓	✓	✓
Beep Transmit Sequence	Before Transmit	✓	✓	✓	✓
Beeper Volume	Loudest	✓	✓	✓	✓
Power-Up Disable Good Scan Beep		✓	✓	✓	✓
Communication Timeout	None	✓	✓	✓	✓
Razzberry Tone on Timeout		✓	✓	✓	✓
Three Beeps on Timeout		✓	✓	✓	✓
No Beeps on Timeout	*	✓	✓	✓	✓
Fast Beep		✓	✓	✓	✓
Beep Twice on Supplements		✓	✓	✓	✓
No Beeps on Timeout	*	✓	✓	✓	✓
5 Retries Before Timeout		✓	✓	✓	✓
Timeout In ...	2 secs.	✓	✓	✓	✓
Laser Off Between Records		✓	✓	✓	✓
Variable Laser Off Delay	5 - 635 msec	✓	✓	✓	✓
Disable Button Control of Power Save Mode		✓	✓	✓	✓
Disable Button Control of Beep Volume		✓	✓	✓	✓
Bright LED Intensity	*	✓	✓	✓	✓
Dim LED Intensity		✓	✓	✓	✓
Flash LED on Good Scan	*	✓	✓	✓	✓
Reverse LED Convention		✓	✓	✓	✓
Flash LED on Good Scan	*	✓	✓	✓	✓
Enter Power Save Mode	61 mins.	✓	✓	✓	✓
Blink Power Save Mode		✓	✓	✓	✓
Laser OFF Power Save Mode		✓	✓	✓	✓
Laser & Motor OFF Power Save Mode		✓	✓	✓	✓

DEFAULT SETTINGS

COMMUNICATION PARAMETERS

PARAMETER	DEFAULT	OCIA	RS232	IBM 46xx	USB
Dual Action Power Save Mode #1		✓	✓	✓	✓
Dual Action Power Save Mode #2	*	✓	✓	✓	✓
Same Symbol Rescan Timeout: 500 msec Configurable in 50 msec steps (MAX 6.35 seconds)	*	✓	✓	✓	✓
Intercharacter Delay Configurable in 1 msec steps (MAX 255 msec)	1 msec 10 msec in KBW	✓	✓	✓	
Number of Scan Buffers	1	✓	✓	✓	✓
UPC GTIN-14 Format		✓	✓	✓	✓
EAN-8 Enable	*	✓	✓	✓	✓
Transmit EAN-8 Check Digit	*	✓	✓	✓	✓
Convert EAN-8 to EAN-13		✓	✓	✓	✓
EAN-8 with Small Borders		✓	✓	✓	✓
EAN-13 Enable	*	✓	✓	✓	✓
Transmit EAN-13 Check Digit	*	✓	✓	✓	✓
UPC-A Enable	*	✓	✓	✓	✓
Convert UPC-A to EAN-13		✓	✓	✓	✓
Transmit UPC-A Check Digit	*	✓	✓	✓	✓
Transmit UPC-A Number System	*	✓	✓	✓	✓
Transmit UPC-A Manufacturers ID.	*	✓	✓	✓	✓
Transmit UPC-A Item ID	*	✓	✓	✓	✓
UPC-E Enable	*	✓	✓	✓	✓
Expand UPC-E		✓	✓	✓	✓
Transmit UPC-E Lead '0'	*	✓	✓	✓	✓
Transmit UPC-E Check Digit		✓	✓	✓	✓
Disable UPC-E Auto Redundancy	*	✓	✓	✓	✓
Transmit Codabar Start/Stop Characters		✓	✓	✓	✓
Codabar CLSI		✓	✓	✓	✓
Dual Field Codabar		✓	✓	✓	✓
Tab Between Dual field Codabar		✓	✓	✓	✓
Codabar CLSI Check Digit		✓	✓	✓	✓
Codabar 7-Check Check Digit		✓	✓	✓	✓
Codabar Mod-16 Check Digit		✓	✓	✓	✓
Transmit MSI Plessey Check Digits		✓	✓	✓	✓
Number of MSI Plessey Check Digits	0	✓	✓	✓	✓
UK Plessey A to X Convert		✓	✓	✓	✓
UK Plessey Special 12 Character Format		✓	✓	✓	✓

DEFAULT SETTINGS

COMMUNICATION PARAMETERS

PARAMETER	DEFAULT	OCIA	RS232	IBM 46xx	USB
Transmit UK Plessey Check Digit		✓	✓	✓	✓
EAN 128 Enable		✓	✓	✓	✓
Enable French Pharma		✓	✓	✓	✓
Enable Matrix 2 of 5 Check Digit		✓	✓	✓	✓
Enable Hong Kong 2 of 5		✓	✓	✓	✓
Enable Alpha Telepen		✓	✓	✓	✓
Telepen Convert Lead 'A' to 'E'		✓	✓	✓	✓
Enable Code 11 Check Digit		✓	✓	✓	✓
Parity	Space		✓		
Baud Rate	9600		✓		
8 Data Bits			✓		
7 Data Bits	*		✓		
Stop Bits	2		✓		
RTS / CTS Enabled			✓		
Message RTS			✓		
Character RTS	*		✓		
ACK / NAK			✓		
O / N Handshaking			✓		
Host Bell / Cancel			✓		
Xon / Xoff			✓		
No Transmit Without DTR Present			✓		
French PC Terminal Emulation			✓		
"D/E" Disable Command			✓		
"Z/R" Disable Command			✓		
"F/L" Laser Command			✓		
"M/O" Motor Enable Commands			✓		
Beep on Bell			✓		
Razz on 'z'			✓		
CTS Scan Transmit Enable			✓		
Limit 1 Scan per CTS			✓		
Activate on DTR			✓	✓	✓
Activate on DC2 Character			✓		
Xmit No Read Message on DC2 Timeout			✓		
No Transmit LED During No Read Message			✓		
Configurable "No Read" Message			✓		
Recv "I" = Transmit "METROLOGIC"			✓		

DEFAULT SETTINGS

COMMUNICATION PARAMETERS

PARAMETER	DEFAULT	OCIA	RS232	IBM 46xx	USB
Recv "i" = Transmit Scanner ID Byte			✓		
STX Prefix			✓		✓
TAB Prefix			✓		✓
Metrologic Prefix			✓		✓
UPC Prefix			✓		✓
ETX Suffix			✓		✓
TAB Suffix			✓		✓
Carriage Return Suffix	*		✓		✓
Line Feed Suffix	*		✓		✓
UPC Suffix			✓		✓
Transmit LRC			✓		✓
Start LRC on 1 st Byte			✓		✓
Start LRC on 2 nd Byte			✓		✓
'c' Prefix for UPC			✓		✓
'\$' Prefix for UPC			✓		✓
Configurable Prefix Characters	10 avail		✓		✓
Configurable Suffix Characters	10 avail		✓		✓
Predefined Code ID Sets	Multiple Selections		✓		✓
Configurable Prefix for Code Types			✓		✓
Configurable Suffix for Code Types			✓		✓
Configurable Code Length Locks	7 avail		✓	✓	✓
Code Selects	7 avail		✓	✓	✓
Transmit High Priority Code at Timeout			✓	✓	✓
Random Code Deselects	1 Set		✓	✓	✓
Do not transmit Similar Codes			✓	✓	✓
Target Code Deselects	1 Set		✓	✓	✓
Transmit Lower Priority Codes			✓	✓	✓
Code Select / Deselect Timeout 0.1 to 25.5 seconds	5 sec		✓	✓	✓
Razz on Code Select Timeout	*		✓	✓	✓
Replace 1 Character in Transmission			✓		✓
Japan Dual Field Code Selects			✓	✓	✓
EAN-13 Only in Japan Dual Field			✓	✓	✓
Two Digit Supplements		✓	✓	✓	✓
Five Digit Supplements		✓	✓	✓	✓
Require Supplements		✓	✓	✓	✓
Remote Supplement Support		✓	✓	✓	✓

DEFAULT SETTINGS

COMMUNICATION PARAMETERS

PARAMETER	DEFAULT	OCIA	RS232	IBM 46xx	USB
Two Digit Redundancy		✓	✓	✓	✓
Five Digit Redundancy		✓	✓	✓	✓
Enable Coupon Code 128		✓	✓	✓	✓
Transmit Coupon 'JC1'	*	✓	✓	✓	✓
Group Separator	*	✓	✓	✓	✓
Coupon Code Can Begin with '4'		✓	✓	✓	✓
Enable EAN-99 Coupon Code		✓	✓	✓	✓
Bookland Supplements		✓	✓	✓	✓
French 378/379 Supplements		✓	✓	✓	✓
German 434/439 Supplements		✓	✓	✓	✓
Convert Bookland to ISBN		✓	✓	✓	✓
Bookland 979 Supplements		✓	✓	✓	✓
Convert 979 to ISBN		✓	✓	✓	✓
Convert 290 to ISBN		✓	✓	✓	✓
Reformat ISBN		✓	✓	✓	✓
Add EAN Article ID		✓	✓	✓	✓
Transmit ISBN / EAN Check Digit		✓	✓	✓	✓
977 Supplements (2-digit)		✓	✓	✓	✓
Convert 977 to ISSN		✓	✓	✓	✓
Reformat ISSN		✓	✓	✓	✓
Transmit ISSN Check Digit		✓	✓	✓	✓
414 / 419 requires Supplements		✓	✓	✓	✓
Number System 2 Enables Supplements		✓	✓	✓	✓
Number System 2 Requires 5-Digit Supplements		✓	✓	✓	✓
Number System 5 Enables Supplements		✓	✓	✓	✓
Allow Code ID's with Supplements		✓	✓	✓	✓
High Density Codes	*	✓	✓	✓	✓
Medium Density Codes		✓	✓	✓	✓
Low Density Codes		✓	✓	✓	✓

DEFAULT SETTINGS

COMMUNICATION PARAMETERS

Default settings for “Aux” interface

The secondary scanner and the MS2220 series always communicates via RS232. Data is relayed to the host via various primary interfaces

PARAMETER	DEFAULT	OCIA	RS232	IBM 46xx	USB
Aux Baud Rate	38400	✓	✓	✓	✓
Aux Parity	none	✓	✓	✓	✓
Aux Data Bits	8	✓	✓	✓	✓
Aux Stop Bits	1	✓	✓	✓	✓
Aux Character RTS	*	✓	✓	✓	✓
Aux Message RTS		✓	✓	✓	✓
Aux Ack/Nak	*	✓	✓	✓	✓
Aux Xon/Xoff	*	✓	✓	✓	✓
Aux D/E Commands		✓	✓	✓	✓
Aux M/O Commands		✓	✓	✓	✓
Aux F/L Commands		✓	✓	✓	✓
Aux Intercharacter Delay	1 msec	✓	✓	✓	✓
Aux Port Data Format	None (Disabled)	✓	✓	✓	✓
Aux Port to Stratos SCHOOL [†]	None (Disabled)	✓	✓	✓	✓

† When the *Aux Port* connects to a host port, the *Aux Port Data Format* should be disabled (requires cable MLPN 57-57008x-N-3).

SCANNER AND CABLE TERMINATIONS

SCANNER PINOUT CONNECTIONS

The MS2220 Series scanner interfaces terminate to 10-pin modular jacks located on the bottom of the units. The serial number label indicates the model number of the scanner.

EAS In		Auxiliary RS232 In	
Pin	Function	Pin	Function
1	EAS In	1	Ground
2	EAS Out	2	RS232 Receive Input
		3	RS232 Transmit Output
		4	RS232 RTS In
		5	RS232 CTS Out
		6-8	No Connect
		9	+5V Out
		10	No Connect

DC Power In	
Pin	Function
1	12VDC
2	Ground
3	5.2VDC

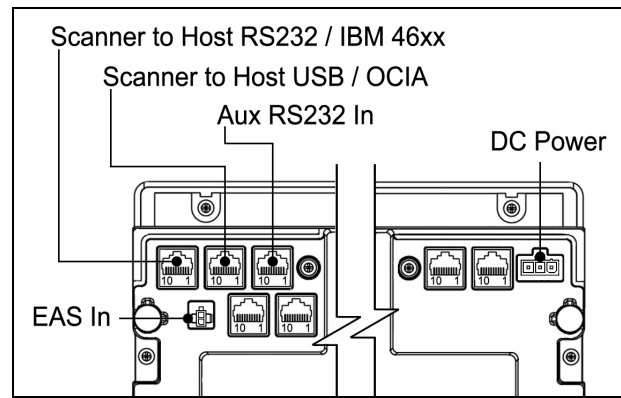


Figure 63. Connector Layout

Scanner IBM 46xx to Host	
Pin	Function
1	Signal Ground
2	Reserved for RS232 Interface
3	Reserved for RS232 Interface
4	Reserved for RS232 Interface
5	Reserved for RS232 Interface
6	Reserved for RS232 Interface
7	No Connect
8	Reserved for RS232 Interface
9	IBM B-
10	IBM A+

Scanner RS232 to Host	
Pin	Function
1	Ground
2	RS232 Transmit
3	RS232 Receive
4	RS232 RTS
5	RS232 CTS
6	RS232 DTR
7	No Connect
8	DSR
9	Reserved for IBM 46xx Interface
10	Reserved for IBM 46xx Interface

Scanner OCIA to Host	
Pin	Function
1	Signal Ground
2	OCIA R Data
3	OCIA Clock In
4	Shield Ground
5	OCIA Clock Out
6	OCIA Clock In Return / Clock Out Return
7	Reserved for USB Interface
8	OCIA R Data Return
9	Reserved for USB Interface
10	Reserved for USB Interface

Scanner USB to Host	
Pin	Function
1	Signal Ground
2	Reserved for OCIA Interface
3	Reserved for OCIA Interface
4	Shield
5	Reserved for OCIA Interface
6	Reserved for OCIA Interface
7	PC +5VDC
8	Reserved for OCIA Interface
9	Data -
10	Data +

Specifications are subject to change without notice.

SCANNER AND CABLE TERMINATIONS

SCANNER PINOUT CONNECTIONS

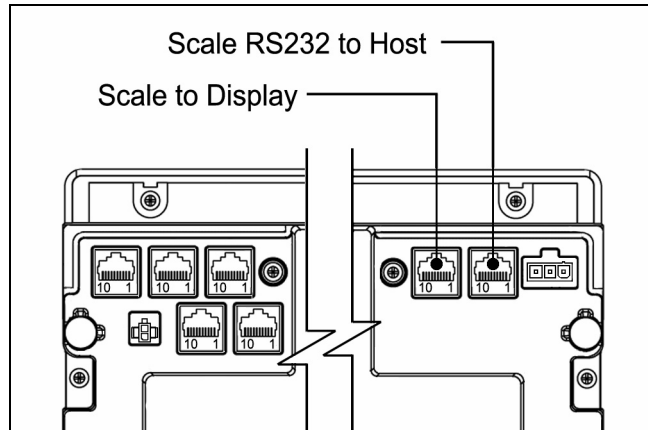


Figure 64. Scale Connector Layout

Scale RS232 to Host Scale Data, Dual Cable Applications	
Pin	Function**
1	Ground
2	Scale RS232 TX Out
3	Scale RS232 RX In
4	Scale RS232 RTS Out
5	Scale RS232 CTS In
6	No Connect
7	No Connect
8	No Connect
9	No Connect
10	Shield

Scale to Display	
Pin	Function**
1	SIG1
2	SIG2
3	SIG3
4	SIG4
5	SIG5
6	SIG6
7	SIG7
8	SIG8
9	SIG9
10	SIG10

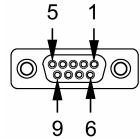
** All signals are referenced from the StratosS scanner.

Specifications are subject to change without notice.

SCANNER AND CABLE TERMINATIONS

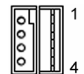
CABLE CONNECTOR CONFIGURATIONS

RS232 Interface Cable, MLPN 57-57210x-N-3	
Pin	Function **
1	No Connect
2	RS232 Transmit Output
3	RS232 Receive Input
4	DTR Input
5	Power/Signal Ground
6	DSR Output
7	CTS Input
8	RTS Output
9	No Connect

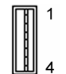


9-Pin D-Type Connector

Full Speed USB Cable, MLPN 57-57201x-N-3 or MLPN 57-57227x-N-3	
Pin	Function**
1	PC +5V USB
2	D-
3	D+
4	Ground

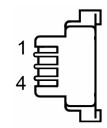


Locking,
Type A
57-57227x-N-3



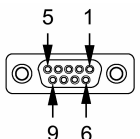
Non-Locking,
Type A
57-57201x-N-3

IBM 46xx Cable, MLPN 57-57212x-N-3	
Pin	Function**
1	Signal Ground
2	IBM +A
3	IBM -B
4	No Connect



4-Pin SDL

OCIA Cable, MLPN 57-57016x-N-3	
Pin	Function**
1	Shield Ground
2	R Data
3	R Data Return
4	Clock Out
5	Signal Ground
6	OCIA Clock In Return
7	Clock Out Return
8	Clock In
9	No Connect



9-Pin D-Type Connector

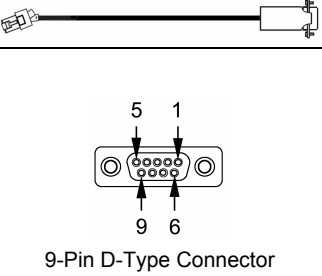
** All signals are referenced from the StratosS scanner.

Specifications are subject to change without notice.

SCANNER AND CABLE TERMINATIONS

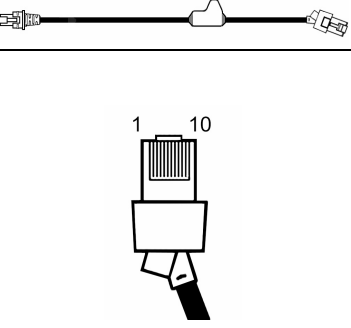
CABLE CONNECTOR CONFIGURATIONS

Aux Port Configuration Cable*, MLPN 57-57008x-N-3	
Pin	Function**
1	No Connect
2	Output from Scanner
3	Input to Scanner
4	No Connect
5	Ground
6-9	No Connect



9-Pin D-Type Connector

RS232 LSO/AUX Cable, MLPN 57-57099x-3	
Pin	Function†
1	Signal Ground
2	RS232 from Aux / Secondary Scanner
3	RS232 to Aux / Secondary Scanner
4	RTS from Aux / Secondary Scanner
5	CTS to Aux / Secondary Scanner
6-8	No Connect
9	+ 5VDC – Transformer / Direct
10	Shield Ground



10-Position Modular Plug

* This configuration cable was designed to be used with the StratosS auxiliary connector only.

** All signals are referenced from the StratosS scanner.

† All signals are referenced from the auxiliary / secondary scanner.

Specifications are subject to change without notice.

SAFETY

ITE Equipment

IEC 60950-1; EN 60950-1

Laser

Laser Class 1: IEC 60825-1:1993+A1+A2, EN: 60825-1:1994+A1+A2



⚠ Caution

Use of controls or adjustments or performance of procedures other than those specified herein may result in hazardous laser light exposure. Under no circumstances should the customer attempt to service the laser scanner. Never attempt to look at the laser beam, even if the scanner appears to be nonfunctional. Never open the scanner in an attempt to look into the device. Doing so could result in hazardous laser light exposure. The use of optical instruments with the laser equipment will increase eye hazard.

⚠ Atención

La modificación de los procedimientos, o la utilización de controles o ajustes distintos de los especificados aquí, pueden provocar una luz de láser peligrosa. Bajo ninguna circunstancia el usuario deberá realizar el mantenimiento del láser del escáner. Ni intentar mirar al haz del láser incluso cuando este no esté operativo. Tampoco deberá abrir el escáner para examinar el aparato. El hacerlo puede conllevar una exposición peligrosa a la luz de láser. El uso de instrumentos ópticos con el equipo láser puede incrementar el riesgo para la vista.

⚠ Attention

L'emploi de commandes, réglages ou procédés autres que ceux décrits ici peut entraîner de graves irradiations. Le client ne doit en aucun cas essayer d'entretenir lui-même le scanner ou le laser. Ne regardez jamais directement le rayon laser, même si vous croyez que le scanner est inactif. N'ouvrez jamais le scanner pour regarder dans l'appareil. Ce faisant, vous vous exposez à une rayonnement laser qui est dangereux. L'emploi d'appareils optiques avec cet équipement laser augmente le risque d'endommagement de la vision.

⚠ Achtung

Die Verwendung anderer als der hier beschriebenen Steuerungen, Einstellungen oder Verfahren kann eine gefährliche Laserstrahlung hervorrufen. Der Kunde sollte unter keinen Umständen versuchen, den Laser-Scanner selbst zu warten. Sehen Sie niemals in den Laserstrahl, selbst wenn Sie glauben, daß der Scanner nicht aktiv ist. Öffnen Sie niemals den Scanner, um in das Gerät hineinzusehen. Wenn Sie dies tun, können Sie sich einer gefährlichen Laserstrahlung aussetzen. Der Einsatz optischer Geräte mit dieser Laserausrüstung erhöht das Risiko einer Sehschädigung.

⚠ Attenzione

L'utilizzo di sistemi di controllo, di regolazioni o di procedimenti diversi da quelli descritti nel presente Manuale può provocare delle esposizioni a raggi laser rischiose. Il cliente non deve assolutamente tentare di riparare egli stesso lo scanner laser. Non guardate mai il raggio laser, anche se credete che lo scanner non sia attivo. Non aprite mai lo scanner per guardare dentro l'apparecchio. Facendolo potete esporvi ad una esposizione laser rischiosa. L'uso di apparecchi ottici, equipaggiati con raggi laser, aumenta il rischio di danni alla vista.

REGULATORY COMPLIANCE

EMC

Emissions: FCC Part 15, ICES-003, CISPR 22, EN 55022

Immunity: CISPR 24, EN 55024

Class A Devices

**The following is applicable when the scanner cable is greater in length than 3 meters (9.8 feet) when fully extended:
Les instructions ci-dessous s'appliquent aux cables de scanner dépassant 3 mètres (9.8 pieds) de long en extension maximale:**

Folgendes trifft zu, wenn das Scannerkabel länger als 3 Meter ist:

This equipment has been tested and found to comply with limits for a Class A digital device, pursuant to part 15 of the FCC Rules. These limits are designed to provide reasonable protection against harmful interference when the equipment is operated in a commercial environment. This equipment generates, uses, and can radiate radio frequency energy and, if not installed and used in accordance with the instruction manual, may cause harmful interference to radio communications. Operation of this equipment in a residential area is likely to cause harmful interference, in which case the user will be required to correct the interference at their own expense. Any unauthorized changes or modifications to this equipment could void the user's authority to operate this device.

This device complies with part 15 of the FCC Rules. Operation is subject to the following two conditions: (1) This device may not cause harmful interference, and (2) this device must accept any interference received, including interference that may cause undesired operation.

Notice

This Class A digital apparatus complies with Canadian ICES-003.

Remarque

Cet appareil numérique de la classe A, conformément à la norme NMB-003 du Canada.

European Standard

Warning

This is a class A product. In a domestic environment this product may cause radio interference in which case the user may be required to take adequate measures.

Funkstöreigenschaften nach EN55022:1998

Warnung!

Dies ist eine Einrichtung der Klasse A. Diese Einrichtung kann im Wohnbereich Funkstörungen verursachen. In diesem Fall kann vom Betreiber verlangt werden, angemessene Massnahmen durchzuführen.

Standard Europeo

Attenzione

Questo e' un prodotto di classe A. Se usato in vicinanza di residenze private potrebbe causare interferenze radio che potrebbero richiedere all'utilizzatore opportune misure.

Attention

Ce produit est de classe "A". Dans un environnement domestique, ce produit peut être la cause d'interférences radio. Dans ce cas l'utilisateur peut être amené à prendre les mesures adéquates.

REGULATORY COMPLIANCE

EMC

Class B Devices

The following is applicable when the scanner cable is less than 3 meters (9.8 feet) in length when fully extended:

Les instructions ci-dessous s'appliquent aux cables de scanner ne dépassant pas 3 mètres (9.8 pieds) de long en extension maximale:

Folgendes trifft zu, wenn das Scannerkabel kürzer als 3 Meter ist:

This device complies with Part 15 of the FCC Rules. Operation is subject to the following two conditions: (1) This device may not cause harmful interference, and (2) this device must accept any interference received, including interference that may cause undesired operation.

This equipment has been tested and found to comply with the limits for a Class B digital device, pursuant to Part 15 of the FCC rules. These limits are designed to provide reasonable protection against harmful interference in a residential installation. This equipment generates, uses, and can radiate radio frequency energy and, if not installed and used in accordance with the instructions, may cause harmful interference to radio communications. However, there is no guarantee that interference will not occur in a particular installation. If this equipment does cause harmful interference to radio or television reception, which can be determined by turning the equipment off and on, the user is encouraged to try to correct the interference by one or more of the following measures:

- Reorient or relocate the receiving antenna
- Increase the separation between the equipment and receiver
- Connect the equipment into an outlet on a circuit different from that to which the receiver is connected
- Consult the dealer or an experienced radio/TV technician for help

Notice

This Class B digital apparatus complies with Canadian ICES-003.

Avertissement

Cet appareil numérique de la class B est conforme à la norme NMB-003.

WEIGHTS & MEASURES

Directive 90/384/EEC, OIML R76

LIMITED WARRANTY

The MS2220 StratosS™ Series scanners are manufactured by Metrologic at its Blackwood, New Jersey, U.S.A. facility. The MS2200 StratosS Series scanners have a two (2) year limited warranty from the date of manufacture. Metrologic warrants and represents that all MS2220 StratosS Series scanners are free of all defects in material, workmanship and design, and have been produced and labeled in compliance with all applicable U.S. Federal, state and local laws, regulations and ordinances pertaining to their production and labeling.

This warranty is limited to repair, replacement of product or refund of product price at the sole discretion of Metrologic. Faulty equipment must be returned to one of the following Metrologic repair facilities: Blackwood, New Jersey, USA; Madrid, Spain; or Suzhou, China. To do this, contact the appropriate Metrologic Customer Service/Repair Department to obtain a Returned Material Authorization (RMA) number.

In the event that it is determined the equipment failure is covered under this warranty, Metrologic shall, at its sole option, repair the Product or replace the Product with a functionally equivalent unit and return such repaired or replaced Product without charge for service or return freight, whether distributor, dealer/reseller, or retail consumer, or refund an amount equal to the original purchase price.

This limited warranty does not extend to any Product which, in the sole judgment of Metrologic, has been subjected to abuse, misuse, neglect, improper installation, or accident, nor any damage due to use or misuse produced from integration of the Product into any mechanical, electrical or computer system. The warranty is void if the case of Product is opened by anyone other than Metrologic's repair department or authorized repair centers.

THIS LIMITED WARRANTY, EXCEPT AS TO TITLE, IS IN LIEU OF ALL OTHER WARRANTIES OR GUARANTEES, EITHER EXPRESS OR IMPLIED, AND SPECIFICALLY EXCLUDES, WITHOUT LIMITATION, WARRANTIES OF MERCHANTABILITY AND FITNESS FOR A PARTICULAR PURPOSE UNDER THE UNIFORM COMMERCIAL CODE, OR ARISING OUT OF CUSTOM OR CONDUCT. THE RIGHTS AND REMEDIES PROVIDED HEREIN ARE EXCLUSIVE AND IN LIEU OF ANY OTHER RIGHTS OR REMEDIES. IN NO EVENT SHALL METROLOGIC BE LIABLE FOR ANY INDIRECT OR CONSEQUENTIAL DAMAGES, INCIDENTAL DAMAGES, DAMAGES TO PERSON OR PROPERTY, OR EFFECT ON BUSINESS OR PROPERTY, OR OTHER DAMAGES OR EXPENSES DUE DIRECTLY OR INDIRECTLY TO THE PRODUCT, EXCEPT AS STATED IN THIS WARRANTY. IN NO EVENT SHALL ANY LIABILITY OF METROLOGIC EXCEED THE ACTUAL AMOUNT PAID TO METROLOGIC FOR THE PRODUCT. METROLOGIC RESERVES THE RIGHT TO MAKE ANY CHANGES TO THE PRODUCT DESCRIBED HEREIN.

**CORPORATE HEADQUARTERS,
NORTH AMERICA**
Metrologic Instruments, Inc.
90 Coles Rd.
Blackwood, NJ 08012-4683
Customer Service Department
Tel: 1-800-ID-METRO
Fax: 856-228-6673
Email: info@metrologic.com

**METROLOGIC EUROPEAN REPAIR CENTER
(MERC)**
Metrologic Eria Ibérica, SL
C/Alfonso Gomez, 38-40, 1D
28037 Madrid
Tel: +34 913 751 249
Fax: +34 913 270 437

MTLG AUTO ID INSTRUMENTS (SHANGHAI) CO., LTD
Suzhou Sales Office
BLK A, Room# 03/03-04
No.5 Xinghan Street, Xinsu Industrial Square
China-Singapore Suahou Industrial Park, Suzhou, PRC
Tel: 86-512-67622550
Fax: 86-512-67622560
Email: info@cn.metrologic.com

PATENTS

Patent Information

This METROLOGIC product may be covered by, but not limited to, one or more of the following U.S. Patents:

U.S. Patent No.;

5,343,027; 5,627,359; 5,686,717; 5,789,731; 5,828,049; 6,029,894; 6,209,789; 6,299,065; 6,345,505; 6,422,467;
6,481,625; 6,494,377; 6,814,292; 6,830,190; 6,874,690; 6,918,540; 6,951,304;

No license right or sublicense is granted, either expressly or by implication, estoppel, or otherwise, under any METROLOGIC or third party intellectual property rights (whether or not such third party rights are licensed to METROLOGIC), including any third party patent listed above, except for an implied license only for the normal intended use of the specific equipment, circuits, and devices represented by or contained in the METROLOGIC products that are physically transferred to the user, and only to the extent of METROLOGIC'S license rights and subject to any conditions, covenants and restrictions therein.

Other worldwide patents pending.

INDEX

A

AC *see power*
amber LED *see indicators*
application 33, 58
audible *see indicators*
AUX 8, 57, 66

B

beep *see indicators*
blue LED *see indicators*
button
 calibration 41, 43
 display 39, 43
 multi-function 8, 37
 scale zero 8, 39
 tone 8, 37
 volume 8, 37

C

cable 11, 12, 55, 56, 57
 communication 2, 13, 16–24
 EAS 2, 27
 pinouts 66–69
 power 2
calibration 11, 12, 43
 mode 43
 test 40–52
caution 4, 5, 10, 14, 16–24, 70
CE 70
checkout counter 11, 12
class 71, 72
communication parameters
 default 59–65
compliance 16–24, 42, 45, 73
components 8
connector 66–69
connector panel 9
current 31, 32, 55
customer service 2

D

DC *see power*
default settings 38, 59–65
depth of field 6, 28–29
dimensions 9, 11
display 3, 13, 33–35, 43

E

EAS 8, 27, 66
electrical 73
error codes 33, 34, 35

F

failure
 error codes 33–35
 indicator 31
 modes 31, 32
finger recess 5

full service access mode 43
function 55, 62, 63, 64, 66–69

G

ground 66–69

H

host 31, 32, 38, 55–58, 59–65

I

IBM 46xx 59–65
IBM 46XX 22
indicators 6
 audible 31, 32, 37, 38, 55–58, 60, 62
 diagnostic 33–35
 error codes 33–35
 failure 32, 33–35
 visual 8, 31, 32, 38, 55, 56, 60
interface 6, 10
 IBM 46xx 21–22, 58, 59–65, 66, 68
 OCIA 23–24, 59–65, 66, 68
 RS232 16–17, 59–65, 66, 68
 USB 18–20, 59–65, 66, 68
IR 30

L

labels 10
laser aperture 8
LED *see indicators*
light source 6

M

maintenance 33, 54
manual 2, 13, 31
mechanical 73
modes 36
mounting 11
multi-function *see button*

N

notices 71, 72

O

OCIA 24, 59–65, 66
operation 71, 72
output window 33, 54

P

parameters 59–65
patents 74
platter 4, 5, 8, 11, 13, 41, 42, 43, 45, 50, 51
port 56, 57, 65
power 2, 6, 11, 12, 16–24, 55, 66
 caution statement 10
power save 36, 37
property 74
protocols 38

INDEX

R

razzberry tone 31, 32, 60
regulatory compliance 70–72
remote display 3, 43, 50
repair 32, 33, 34, 73
RS232 17, 59–65

S

safety 71, 72
scale 8, 11
scan pattern 6
scan speed 6
scan zone 28–29
scanner
 pinouts 66–69
seal 2, 42, 45, 51
secondary scanner 25, 26
SELV 16–24
shipping foam 14
switch 8, 27
 cover 42, 45, 51

T

test 38, 40–52
tone 31, 37, *See button*
transformer *see power*
troubleshooting 55–58

U

unit of measure 49, 50
USB 59–65

V

ventilation 11
visual 31, 32
voltage 2, 16–24
volume 37, *See button*

W

warranty 55, 73
weight 6, 8, 41, 49, 50
weights and measure 40–52, 72
white LED *see indicators*
window 4, 5, 8, 12, 54

Z

zero 39, 40, 43, 50, *See button*

Worldwide Headquarters

Metrologic Instruments, Inc.

90 Coles Road Blackwood, NJ 08012-4683

Email: info@metrologic.com ▪ Tel: 856-228-8100

Fax: 856-228-6673 (Sales) ▪ Fax: 856-228-1879 (Marketing) ▪ Fax: 856-228-0653 (Legal/Finance)

Metrologic Companies

Adaptive Optics Associates (AOA)

Tel: 617-806-1400
Fax: 617-806-1899
Email: info@aoainc.com

Omniplanar

Tel: 856.537.6100
Fax: 856.537.6116
Email: info@omniplanar.com

Metrologic - The Americas

Headquarters

Tel: 1.856.537.6400
Fax: 1.856.537.6474
Email: info@us.metrologic.com

Metrologic Canada

Tel: 416.752.7190
Fax: 416.752.8060
Email: info@ca.metrologic.com

Metrologic do Brasil Ltda.

Tel: 55.11.5182.7273
Fax: 55.11.5182.7198
Email: info@sa.metrologic.com

Metrologic Mexico, S.A. DE C.V.

Tel: 55.5365.6247
Fax: 55.5362.2544
Email: info@mx.metrologic.com

Metrologic South America

Tel: 239.642.1958
Fax: 239.642.1959
Email: info@sa.metrologic.com

Metrologic - USA

Tel: 1.856.537.6400
Fax: 1.856.537.6474
Email: info@us.metrologic.com

Metrologic - EMEA

Headquarters

Tel: 49-89-89019-0
Fax: 49-89-89019-200
Email:
info@europe.metrologic.com

Metrologic Eria France SA

Tel: +33 (0) 1 48.63.78.78
Fax: +33 (0) 1 48.63.24.94
Email: info@fr.metrologic.com

Metrologic Eria Iberica, SL

Tel: +34 913 272 400
Fax: +34 913 273 829
Email: info@es.metrologic.com

Metrologic Russia

Tel: +7 095 730 7424
Fax: +7 095 730 7425
Email: info@ru.metrologic.com

Metrologic Instruments GmbH

Tel: 49-89-89019-0
Fax: 49-89-89019-200
Email:
info@europe.metrologic.com

Metrologic Instruments Italia

Tel: +39 0 57 6511978 or +39
051 651 1978
Fax: +39 0 51 6521337
Email: info@it.metrologic.com

Metrologic Instruments

Poland
Tel: +48 (22) 545 04 30
Fax: +48 (22) 545 04 31
Email: info@pl.metrologic.com

Metrologic Instruments

UK Limited
Tel: +44 (0) 1256 365900
Fax: +44 (0) 1256 365955
Email: info@uk.metrologic.com

Metrologic - APAC

Headquarters

Tel : (65) 6842-7155
Fax : (65) 6842-7166
Email: info@sg.metrologic.com

Beijing Sales Office

Tel/Fax: 86 10 82253472
Email: info@cn.metrologic.com

Chengdu Sales Office

Tel/Fax: 86 28 86200109
Email: info@cn.metrologic.com

Guangzhou Sales Office

Tel: 86-20-38823476
Fax: 86-20-38823477
Email: info@cn.metrologic.com

India Sales Office

Tel: +91 80 51256718
Fax: +91 80 51256719
Email: info@in.metrologic.com

Korea Sales Office

Tel: 82-2-6205-5379
Fax: 82-2-3444-3980
Email:
Scott.lee@kr.metrologic.com

Metrologic Asia (Pte) Ltd

Tel : (65) 6842-7155
Fax : (65) 6842-7166
Email: info@sg.metrologic.com

Metrologic Japan Co., Ltd.

Tel: 81-3-3839-8511
Fax: 81-3-3839-8519
Email: info@jp.metrologic.com

Metrologic Thailand

Tel: 661-814-2352
Email:
tawan.jandang@th.metrologic.com

MTLG Auto ID Instruments (Shanghai) Co.,Ltd

Tel: 86-21-58692780
Fax: 86-21-58692782
Email: info@cn.metrologic.com

Suzhou Sales Office

Tel: 86-512-67622550
Fax: 86-512-67622560
Email: info@cn.metrologic.com

Taiwan Sales Office

Tel: 886-2-2351 0125
Email: john.cheng@tw.metrologic.com

December 2006

Printed in the USA



00 - 02274A